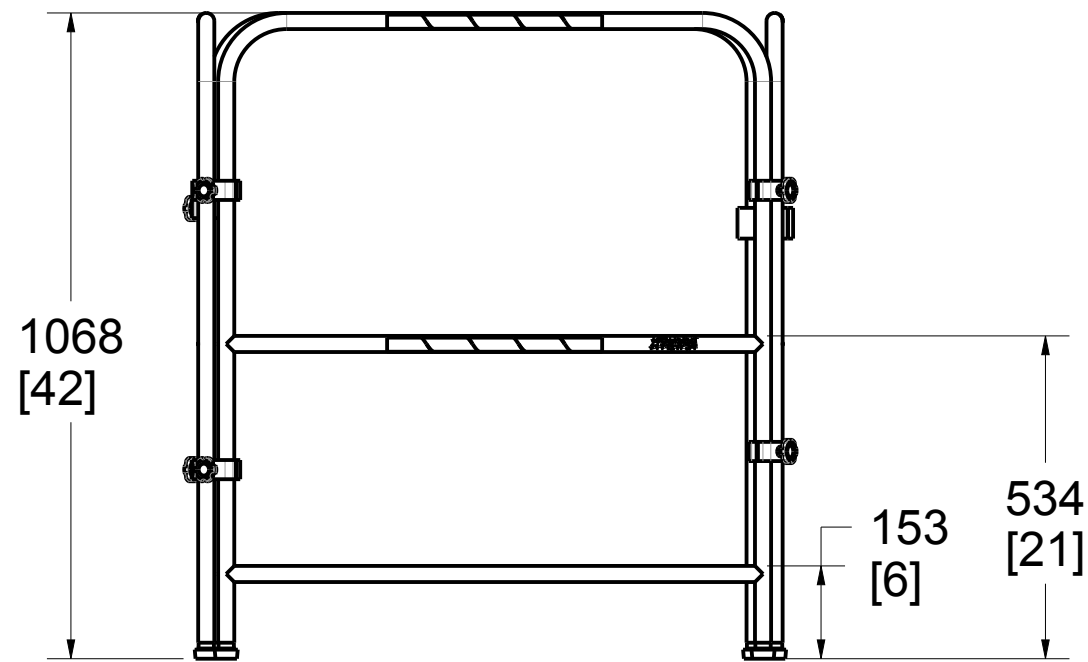
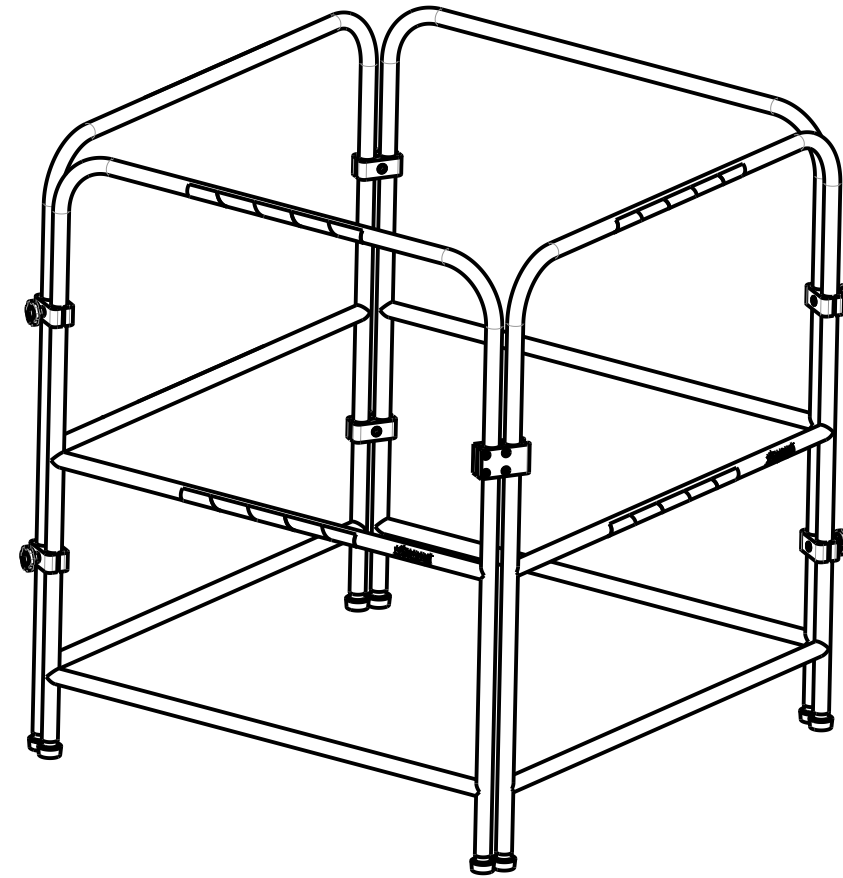
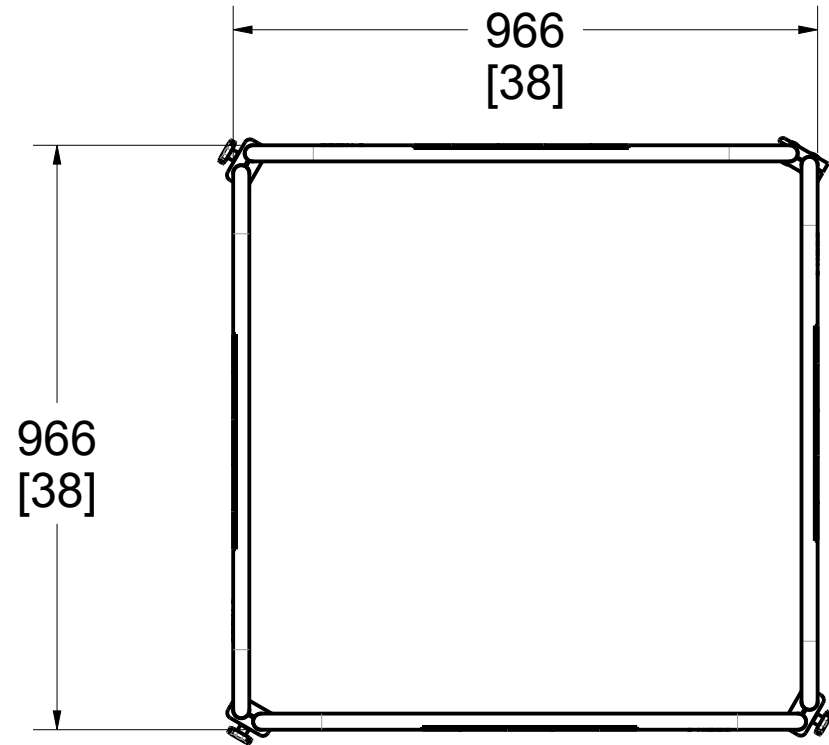


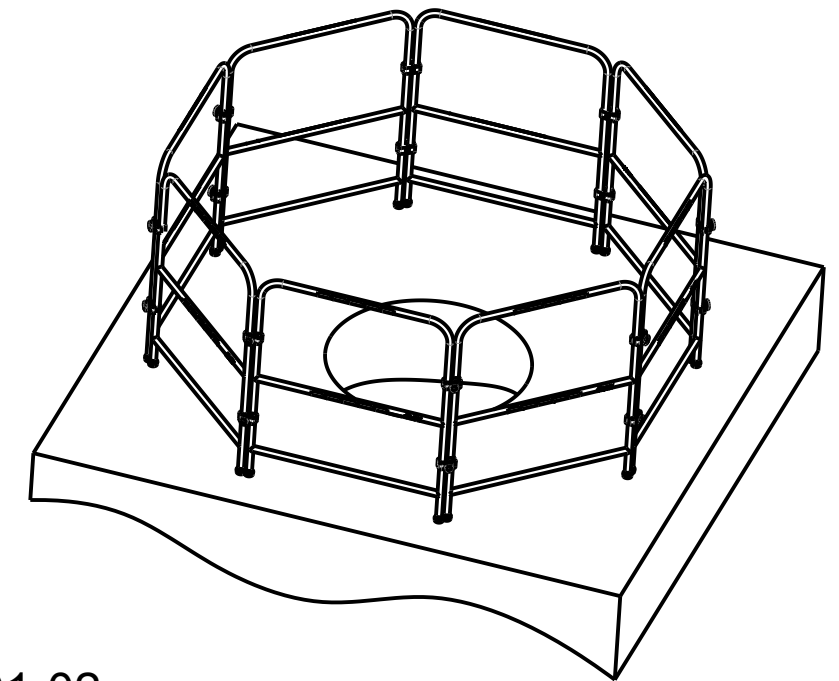
Product number: IN-2101



PAT.NO.:				
PRODUITS DE SERVICE PUBLICS INNOVA INC. INNOVA PUBLIC UTILITY PRODUCTS INC.				
<small>© 9105-0732 QUEBEC INC. and under exclusive license to INNOVA PUBLIC UTILITY PRODUCTS INC., (hereafter « INNOVA »). All rights reserved. Protected under the Copyright Act of Canada and international treaties and agreements regarding copyrights. Violators are subject to prosecution and other legal recourses for infringement. Any reproduction, adaptation or other use or disclosure whatsoever, in totality or in part, and in any form or by any means whatsoever, strictly forbidden and requires the prior written approval of INNOVA. All data is the exclusive property of 9105-0732 QUEBEC INC. and under exclusive license to INNOVA and cannot be used nor disclosed in any way either without the prior written approval of INNOVA».</small>				
WEIGHT:	TITLE:			
28.0 Lb	Multifunctional Barricade With Removable Section			
12.7 Kg	And Fixed Feet			
COLOR:	Material:	SHEET(S):	PROJET:	Rev.
Yellow XTIRPA	Aluminum	1 / 6	IN-2101	02

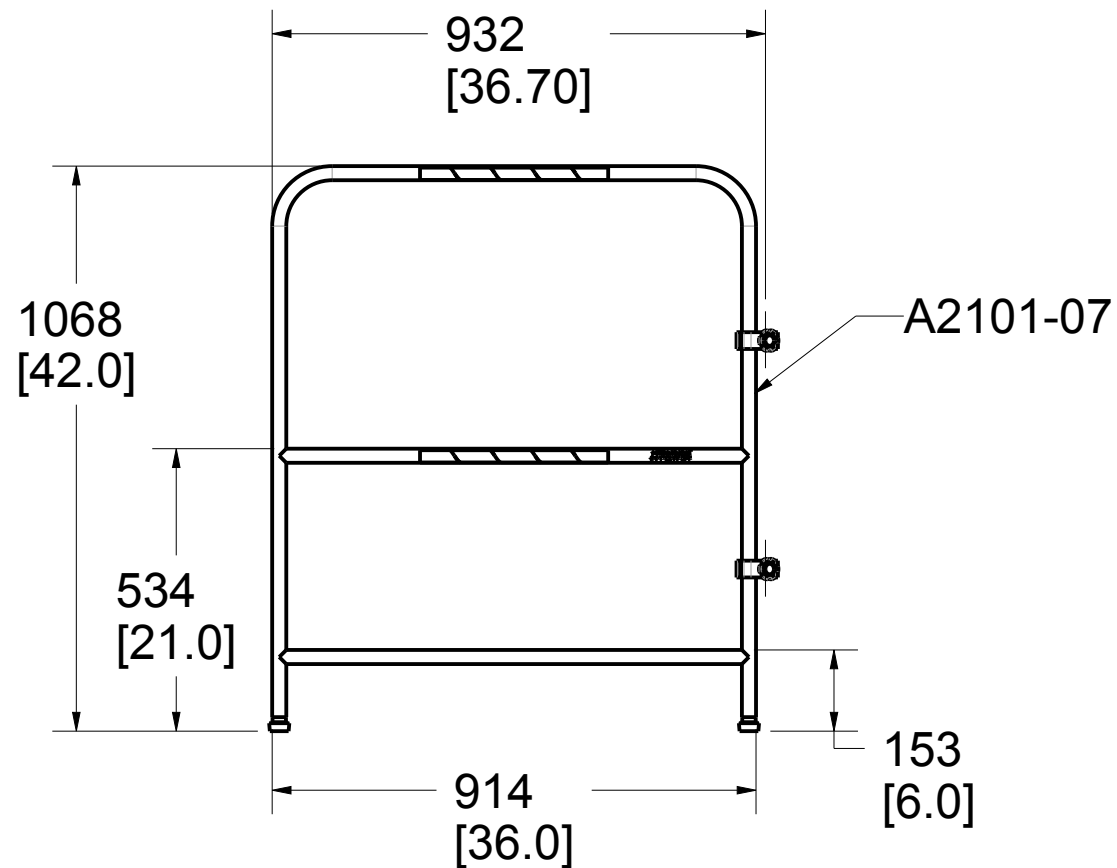
Product number: IN-2101

Possible Sample configuration

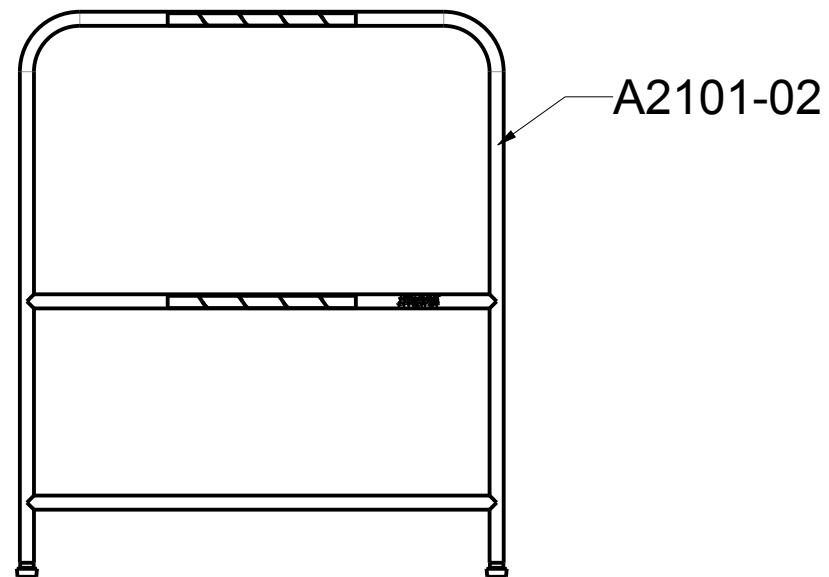


Sections Available

Removable section with hinges and fixed feet



Removable section without hinges and fixed feet



PAT.NO.:				
PRODUITS DE SERVICE PUBLICS INNOVA INC. INNOVA PUBLIC UTILITY PRODUCTS INC.				
© 9105-0732 QUEBEC INC. and under exclusive license to INNOVA PUBLIC UTILITY PRODUCTS INC., (hereafter « INNOVA »). All rights reserved. Protected under the Copyright Act of Canada and international treaties and agreements regarding copyrights. Violators are subject to prosecution and other legal recourses for infringement. Any reproduction, adaptation or other use or disclosure whatsoever, in totality or in part, and in any form or by any means whatsoever, strictly forbidden and requires the prior written approval of INNOVA. All data is the exclusive property of 9105-0732 QUEBEC INC. and under exclusive license to INNOVA and cannot be used nor disclosed in any way either without the prior written approval of INNOVA.				
WEIGHT:	TITLE:			
28.0 Lb	Multifunctional Barricade			
12.7 Kg	With Removable Section			
	And Fixed Feet			
COLOR:	Material:	SHEET(S):	PROJET:	Rev.
Yellow XTIRPA	Aluminum	2 / 6	IN-2101	02

SPECIFICATIONS

Portable Barricade for delimiting a working or a hazard area.

Vertical capacity at any point : 450 N (101 lbf)

STANDARDS

N/A

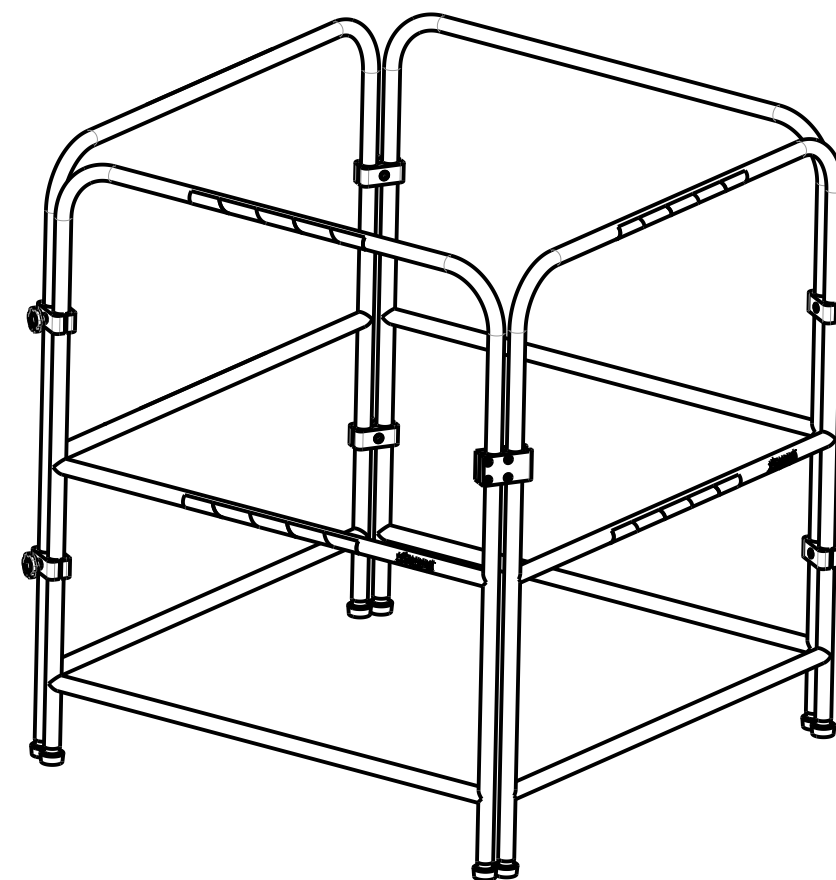
MATERIAL AND CONSTRUCTION

Structural tubes : Aluminum 6061-T6
 Feet : Steel, black acetal and Rubber
 Hardware : Zinc plated steel and stainless steel
 Hinges and door lock : Black polyurethane
 Finish : Yellow XTIRPA powder paint.
 Welding certification: CSA W47.2M

RESTRICTIONS

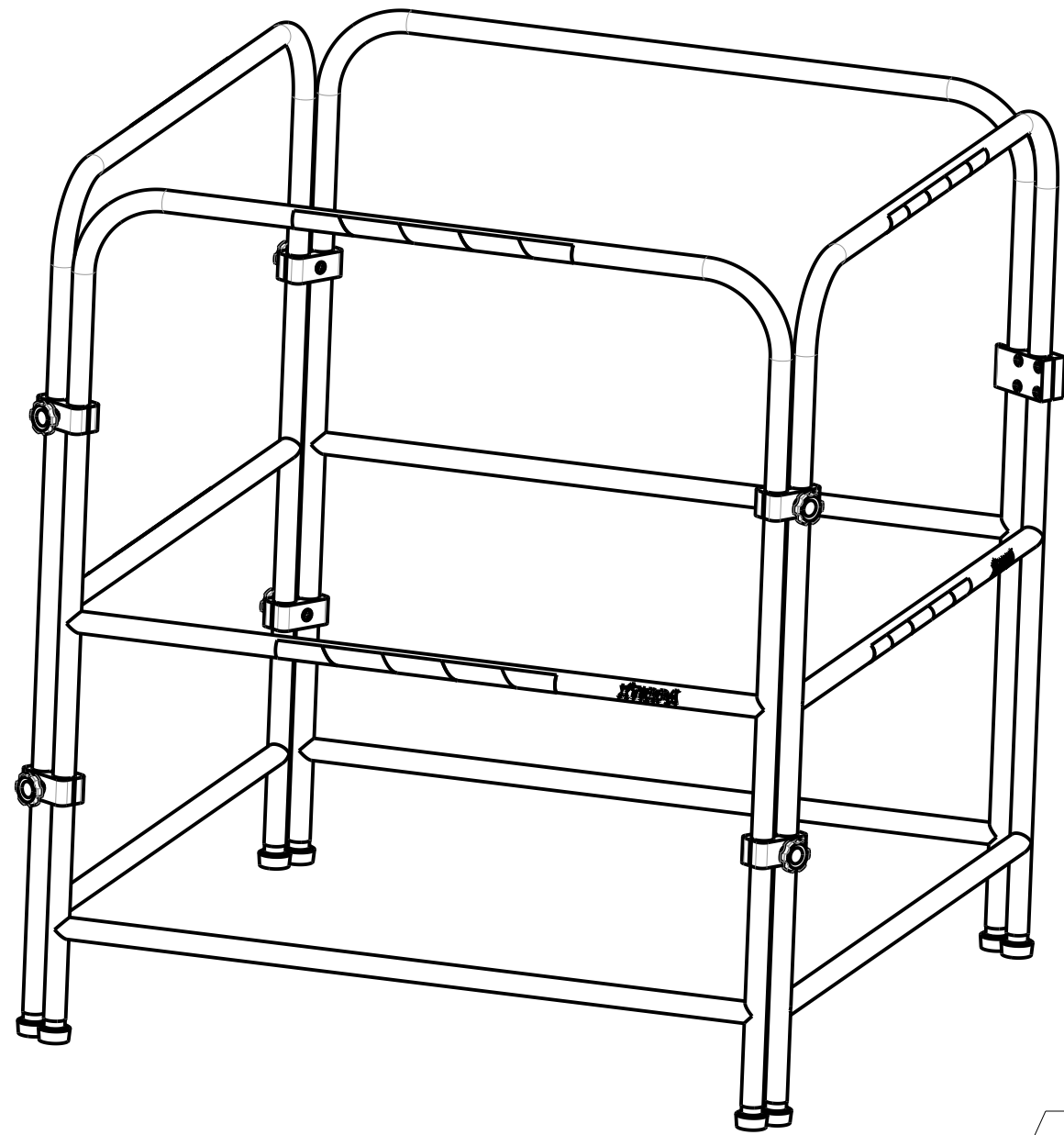
This equipment must be used on a solid and stable surface.
 This product is not intended to receive or support a man rated davit arm.
 This product is not designed to control a crowd or resist to a horizontal force greater than its own weight.

Product number: IN-2101



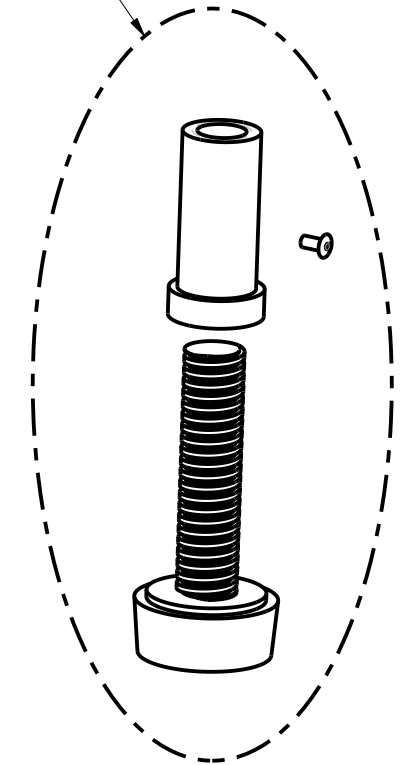
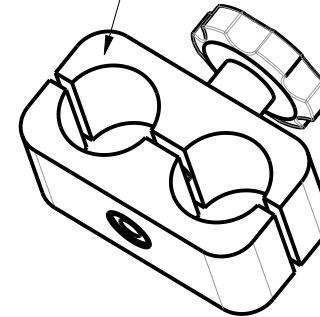
PAT.NO.:				
PRODUITS DE SERVICE PUBLICS INNOVA INC. INNOVA PUBLIC UTILITY PRODUCTS INC.				
© 9105-0732 QUEBEC INC. and under exclusive license to INNOVA PUBLIC UTILITY PRODUCTS INC., (hereafter « INNOVA »). All rights reserved. Protected under the Copyright Act of Canada and international treaties and agreements regarding copyrights. Violators are subject to prosecution and other legal recourses for infringement. Any reproduction, adaptation or other use or disclosure whatsoever, in totality or in part, and in any form or by any means whatsoever, strictly forbidden and requires the prior written approval of INNOVA. All data is the exclusive property of 9105-0732 QUEBEC INC. and under exclusive license to INNOVA and cannot be used nor disclosed in any way either without the prior written approval of INNOVA».				
WEIGHT:	TITLE:			
28.0 Lb	Multifunctional Barricade With Removable Section			
12.7 Kg	And Fixed Feet			
COLOR:	Material:	SHEET(S):	PROJET:	Rev.
Yellow XTIRPA	Aluminum	3 / 6	IN-2101	02

Product number: IN-2101

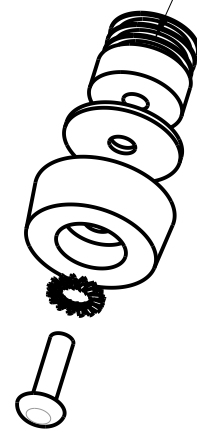


A2101-12
(Optional) 8x

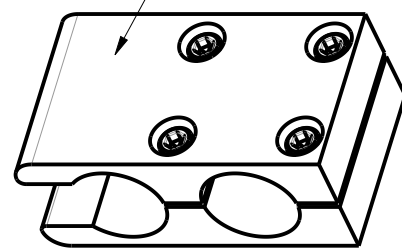
A2101-04
6X



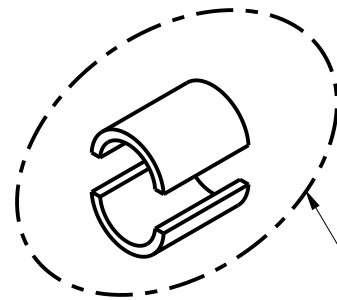
A2101-11
8X



A2101-05



A2101-18 (1x)
Rubber spacer
for 1/2-ced 40 (0.84") pipe
(OPTION)



PAT.NO.:



PRODUITS DE SERVICE PUBLICS INNOVA INC.
INNOVA PUBLIC UTILITY PRODUCTS INC.

© 9105-0732 QUEBEC INC. and under exclusive license to INNOVA PUBLIC UTILITY PRODUCTS INC., (hereafter « INNOVA »). All rights reserved. Protected under the Copyright Act of Canada and international treaties and agreements regarding copyrights. Violators are subject to prosecution and other legal recourses for infringement. Any reproduction, adaptation or other use or disclosure whatsoever, in totality or in part, and in any form or by any means whatsoever, strictly forbidden and requires the prior written approval of INNOVA. All data is the exclusive property of 9105-0732 QUEBEC INC. and under exclusive license to INNOVA and cannot be used nor disclosed in any way either without the prior written approval of INNOVA.

WEIGHT:

28.0 Lb

12.7 Kg

TITLE:

Multifunctional Barricade
With Removable Section

And Fixed Feet

COLOR:

Yellow
XTIRPA

Material:

Aluminum

SHEET(S):

4 / 6

PROJET:

IN-2101

Rev.

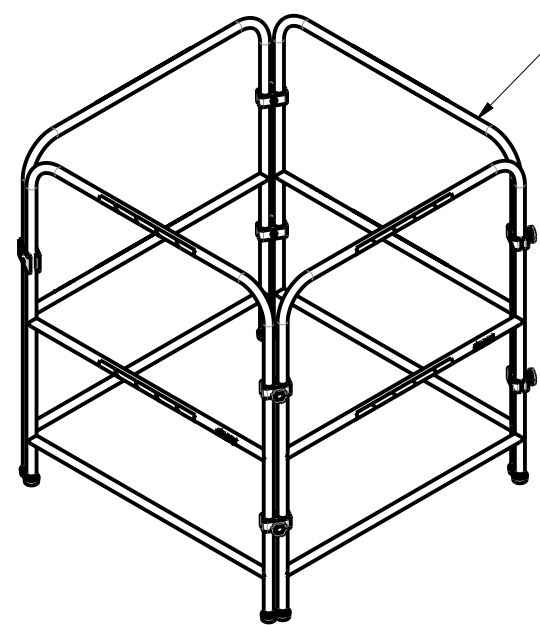
02

8 7 6 5 4 3 2 1

Product number: IN-2101

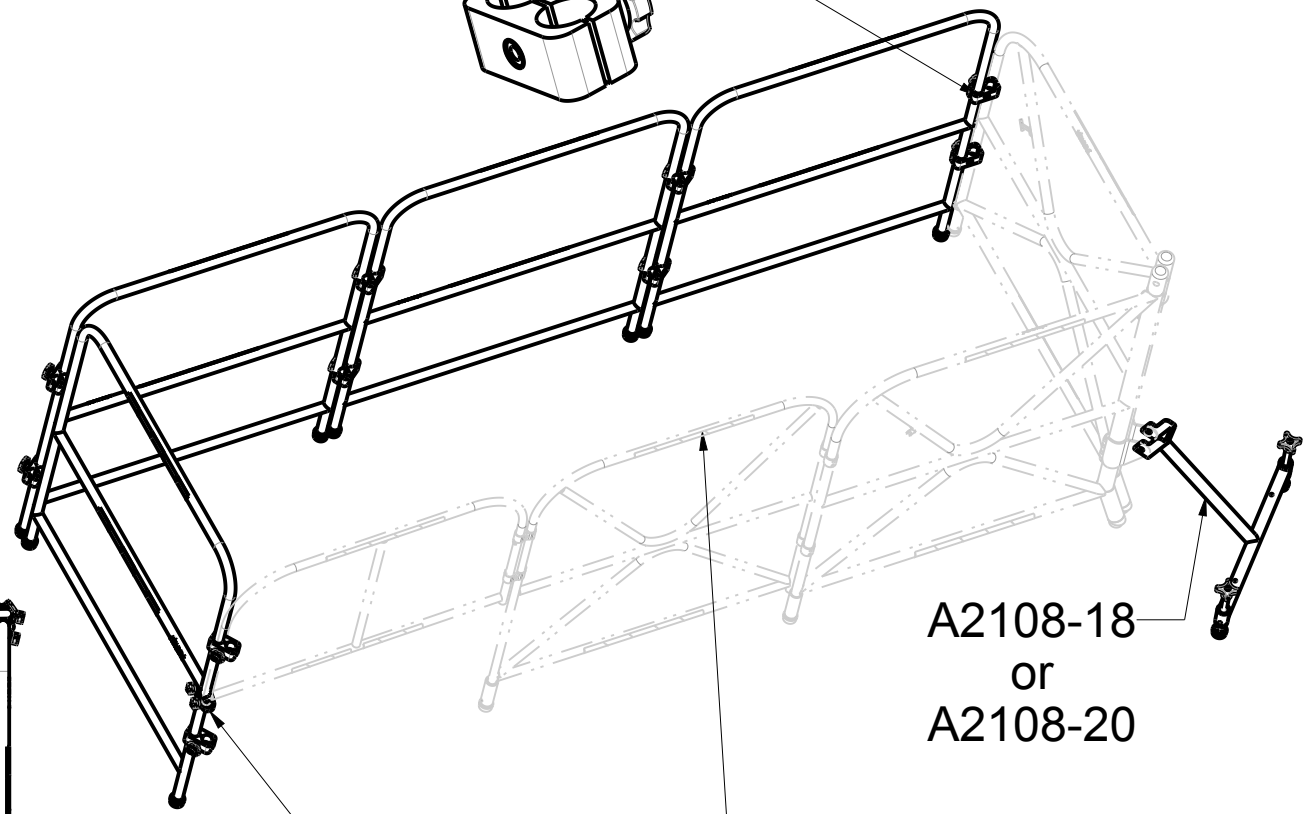
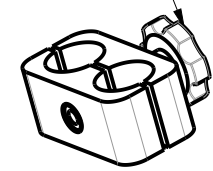
H
G
F
E
D
C
B
A

H
G
F
E
D
C
B
A



IN-2101

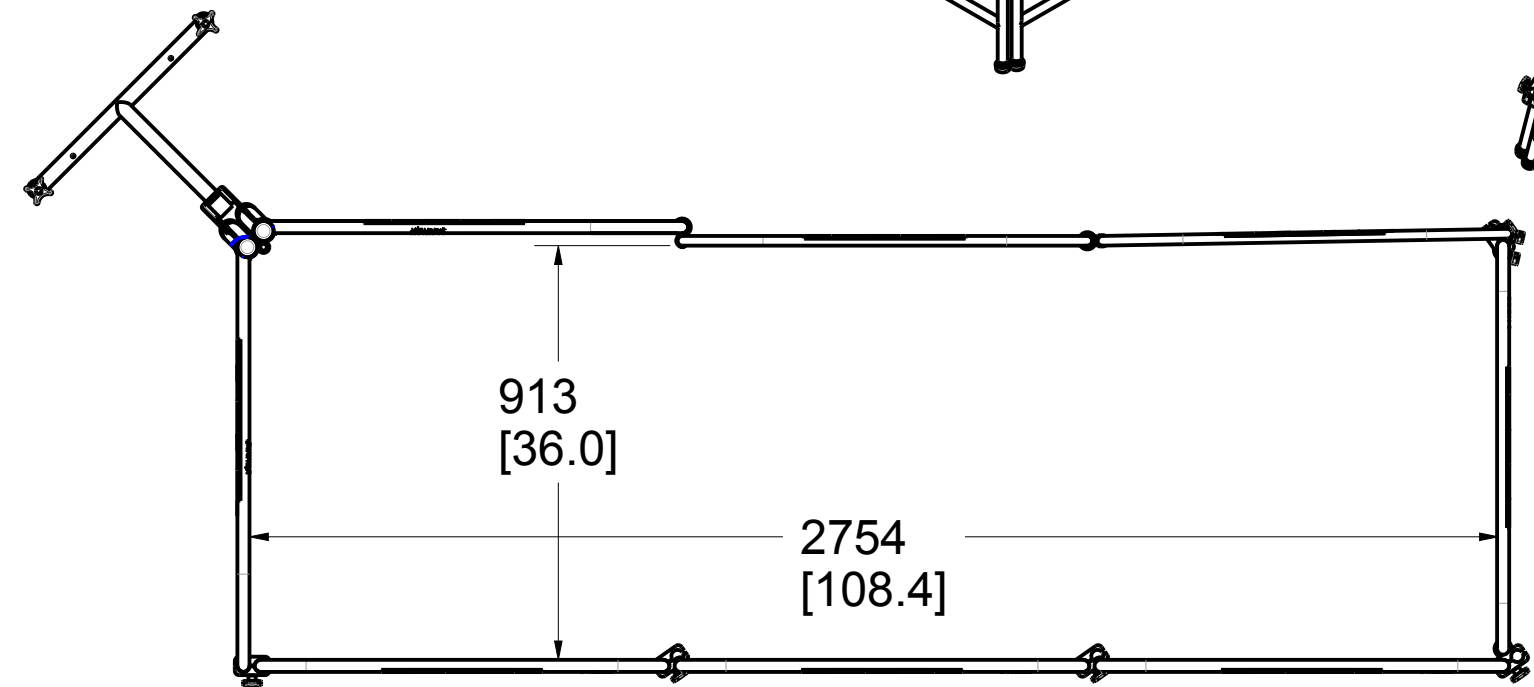
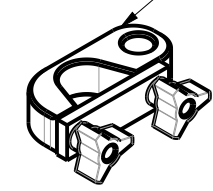
A2101-04
2x



A2108-18
or
A2108-20

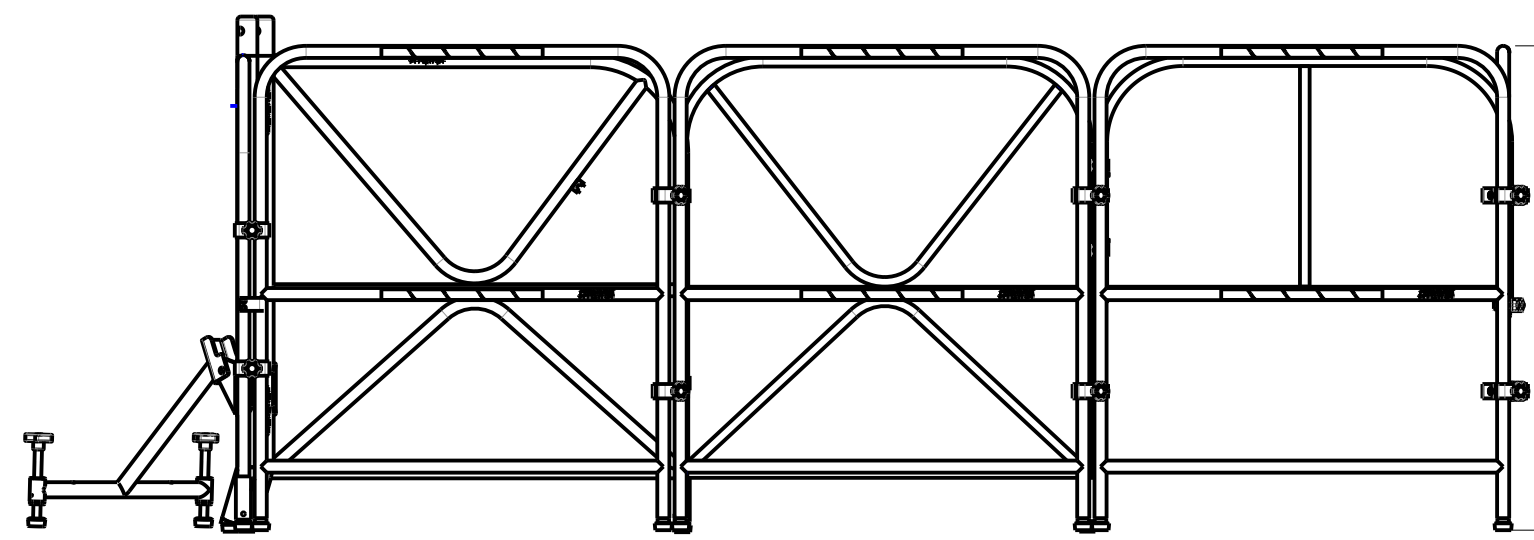
IN-2108
or
IN-2324

A2101-24



913
[36.0]

2754
[108.4]



1068
[42.0]

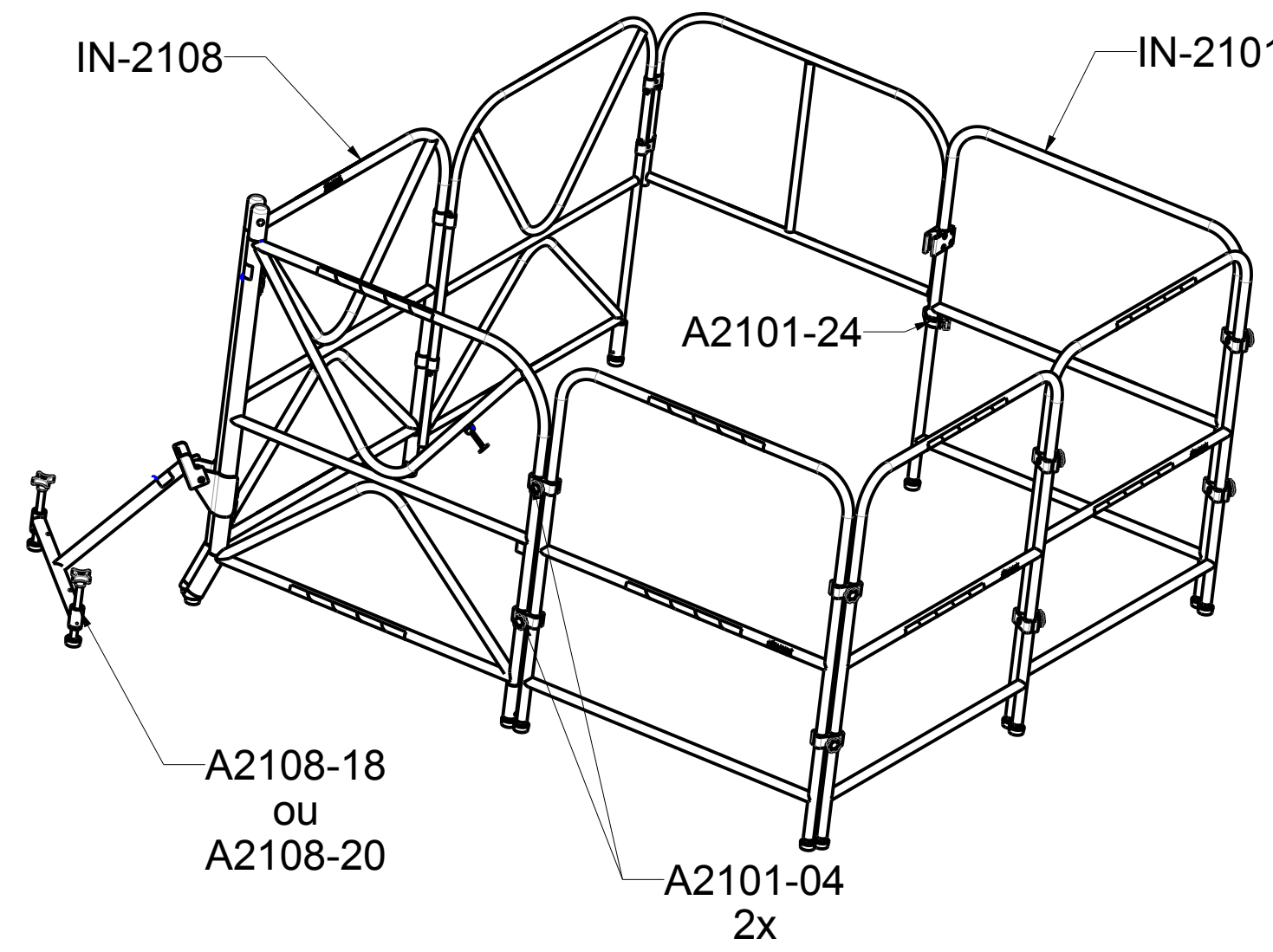
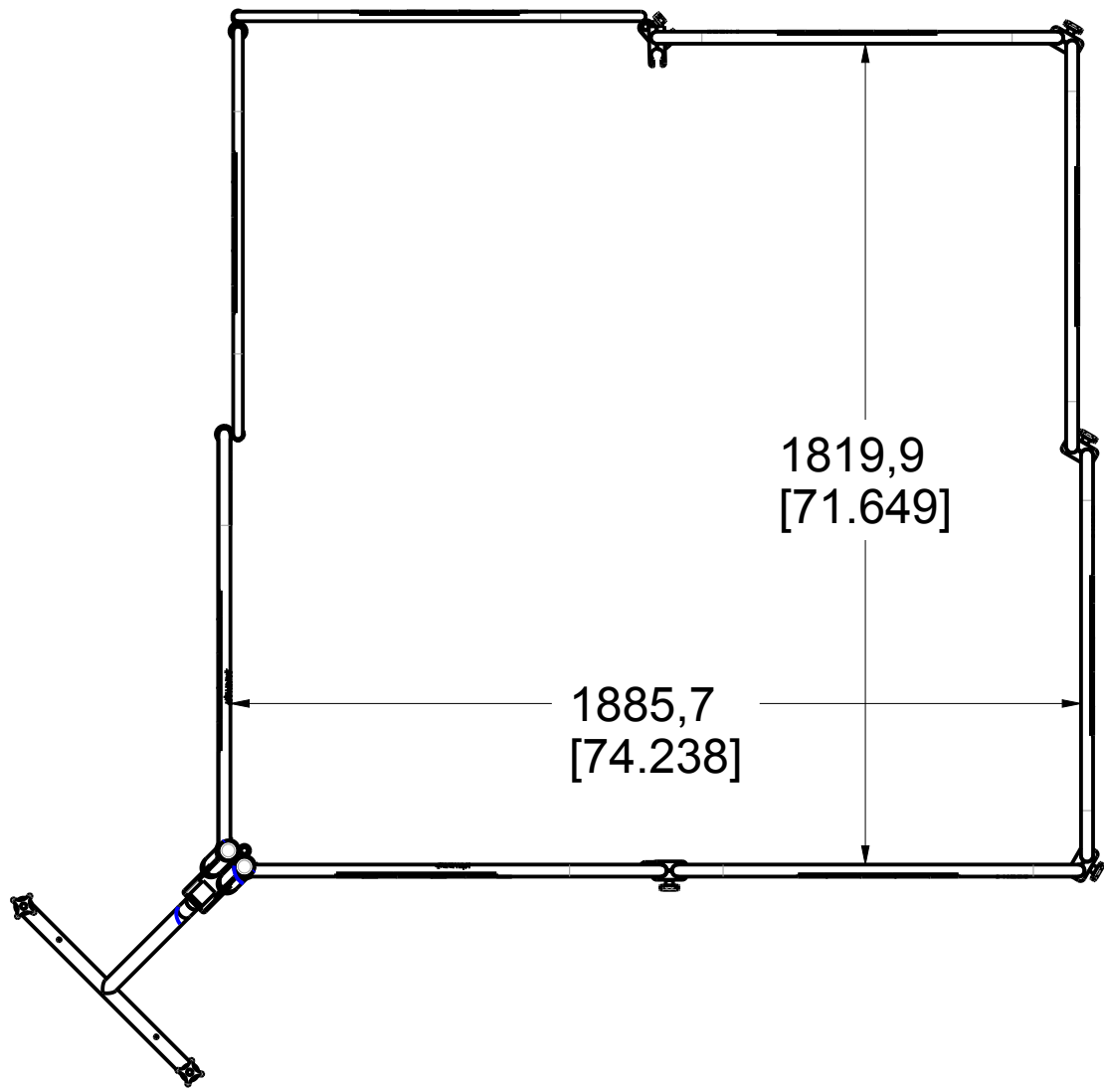
PAT.NO.:				
PRODUITS DE SERVICE PUBLICS INNOVA INC. INNOVA PUBLIC UTILITY PRODUCTS INC.				
<small>© 9105-0732 QUEBEC INC. and under exclusive license to INNOVA PUBLIC UTILITY PRODUCTS INC., (hereafter « INNOVA »). All rights reserved. Protected under the Copyright Act of Canada and international treaties and agreements regarding copyrights. Violators are subject to prosecution and other legal recourses for infringement. Any reproduction, adaptation or other use or disclosure whatsoever, in totality or in part, and in any form or by any means whatsoever, strictly forbidden and requires the prior written approval of INNOVA. All data is the exclusive property of 9105-0732 QUEBEC INC. and under exclusive license to INNOVA and cannot be used nor disclosed in any way either without the prior written approval of INNOVA.</small>				
WEIGHT:	TITLE:			
28.0 Lb	Multifunctional Barricade			
12.7 Kg	With Removable Section			
	And Fixed Feet			
COLOR:	Material:	SHEET(S):	PROJET:	Rev.
Yellow XTIRPA	Aluminum	5 / 6	IN-2101	02


8 7 6 5 4 3 2 1

Product number: IN-2101

8 7 6 5 4 3 2 1

H G F E D C B A



PAT.NO.:


PRODUITS DE SERVICE PUBLICS INNOVA INC.
 INNOVA PUBLIC UTILITY PRODUCTS INC.

© 9105-0732 QUEBEC INC. and under exclusive license to INNOVA PUBLIC UTILITY PRODUCTS INC., (hereafter « INNOVA »). All rights reserved. Protected under the Copyright Act of Canada and international treaties and agreements regarding copyrights. Violators are subject to prosecution and other legal recourses for infringement. Any reproduction, adaptation or other use or disclosure whatsoever, in totality or in part, and in any form or by any means whatsoever, strictly forbidden and requires the prior written approval of INNOVA. All data is the exclusive property of 9105-0732 QUEBEC INC. and under exclusive license to INNOVA and cannot be used nor disclosed in any way either without the prior written approval of INNOVA.

WEIGHT:	TITLE:			
28.0 Lb	Multifunctional Barricade With Removable Section And Fixed Feet			
12.7 Kg				

COLOR:	Material:	SHEET(S):	PROJET:	Rev.
Yellow XTIRPA	Aluminum	6 / 6	IN-2101	02

8 7 6 5 4 3 2 1

A B C D E F G H