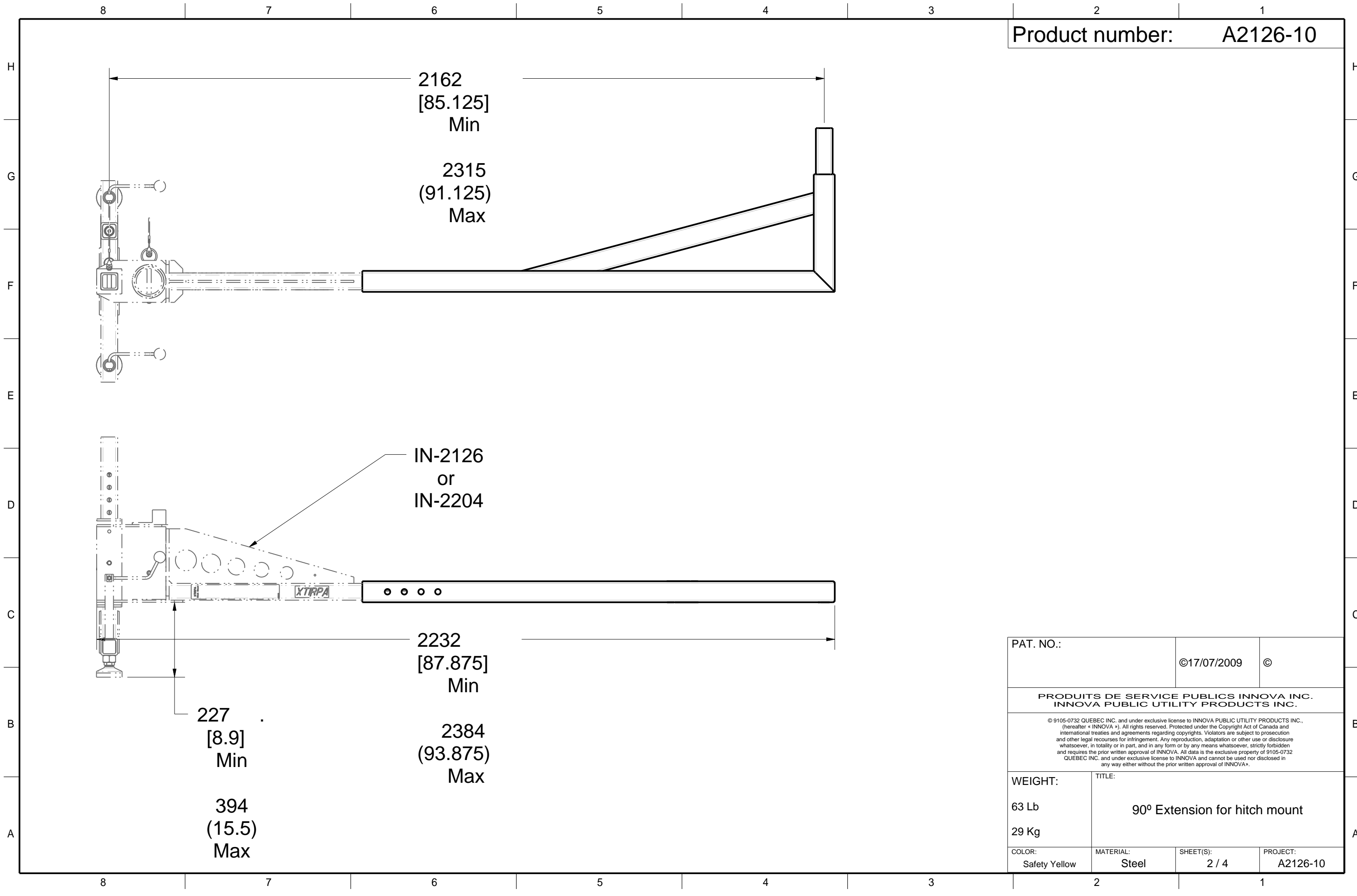


PAT. NO.:		©17/07/2009	©
<p>PRODUITS DE SERVICE PUBLICS INNOVA INC. INNOVA PUBLIC UTILITY PRODUCTS INC.</p> <p><small>© 9105-0732 QUEBEC INC. and under exclusive license to INNOVA PUBLIC UTILITY PRODUCTS INC., (hereafter « INNOVA »). All rights reserved. Protected under the Copyright Act of Canada and international treaties and agreements regarding copyrights. Violators are subject to prosecution and other legal recourses for infringement. Any reproduction, adaptation or other use or disclosure whatsoever, in totality or in part, and in any form or by any means whatsoever, strictly forbidden and requires the prior written approval of INNOVA. All data is the exclusive property of 9105-0732 QUEBEC INC. and under exclusive license to INNOVA and cannot be used nor disclosed in any way either without the prior written approval of INNOVA.</small></p>			
WEIGHT:	TITLE:		
62 Lb	90° Extension for hitch mount		
28 Kg			
COLOR:	MATERIAL:	SHEET(S):	PROJECT:
Safety Yellow	Steel	1 / 4	A2126-10

Product number: **A2126-10**



PAT. NO.:		©17/07/2009 ©	
<b>PRODUITS DE SERVICE PUBLICS INNOVA INC.</b> <b>INNOVA PUBLIC UTILITY PRODUCTS INC.</b>			
© 9105-0732 QUEBEC INC. and under exclusive license to INNOVA PUBLIC UTILITY PRODUCTS INC., (hereafter « INNOVA »). All rights reserved. Protected under the Copyright Act of Canada and international treaties and agreements regarding copyrights. Violators are subject to prosecution and other legal recourses for infringement. Any reproduction, adaptation or other use or disclosure whatsoever, in totality or in part, and in any form or by any means whatsoever, strictly forbidden and requires the prior written approval of INNOVA. All data is the exclusive property of 9105-0732 QUEBEC INC. and under exclusive license to INNOVA and cannot be used nor disclosed in any way either without the prior written approval of INNOVA.			
WEIGHT:	TITLE:		
63 Lb 29 Kg	90° Extension for hitch mount		
COLOR:	MATERIAL:	SHEET(S):	PROJECT:
Safety Yellow	Steel	2 / 4	A2126-10

**SPECIFICATIONS**

This equipment is considered as part of a personal fall arrest system (PFAS).

It is only to be used in conjunction with a personal fall arrest system that limits the maximum arrest force (MAF).

Working load limit (WLL): 1,112 N (250 lbf)

Max design capacity: 11,121 N (2,500 lbf)

Note: The structure must meet the maximum design capacity.

**STANDARDS**

Meets the following standards:

OSHA Personal fall arrest system - 1910.66 App C

ANSI Safety requirements for personal fall arrest system, subsystems and components 2359.1 ( R1999 ) / 2007

CAN/CSA Fall arresters, vertical lifelines, and rails 2259.2.1-98

CE EN 795: 2012 Type B

**MATERIAL AND CONSTRUCTION**

Tubes: HSS Steel A500

Pin: Steel zinc plated

Lanyard : Nylon covered Stainless Steel Cable

Finish: Yellow security powder paint with metal protection base.

Welding Certification : CSA W59 & W47.1

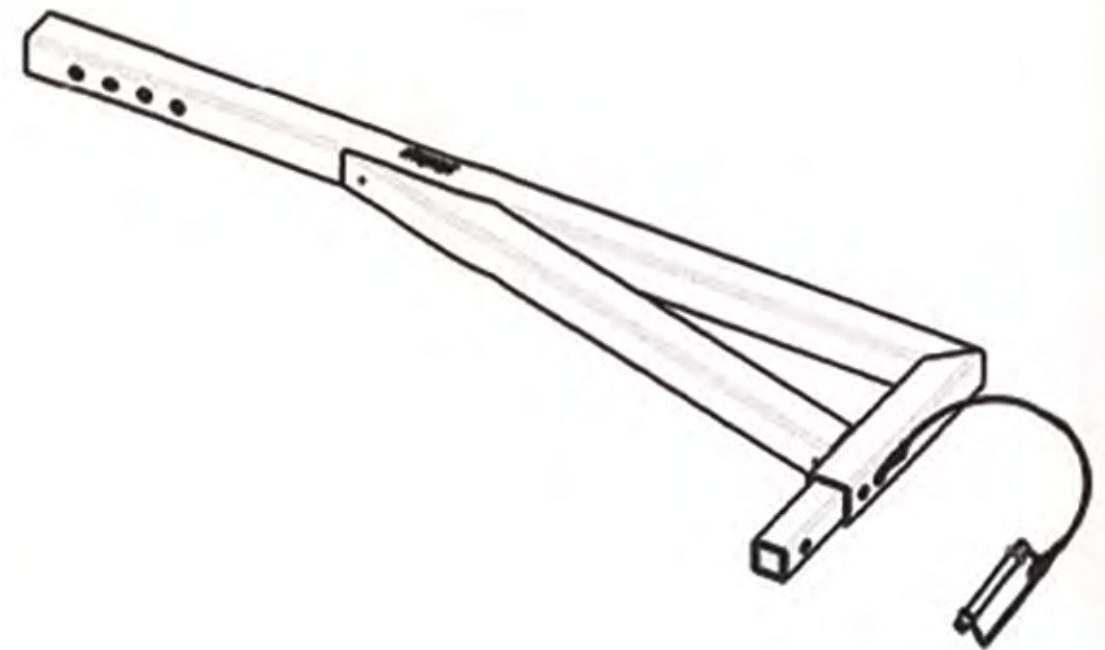
**RESTRICTIONS**

This product is to be used only with products approved by Innova Public Utility Products inc.

••The positioning pins must always be in place when manoeuvring personnel. Otherwise, serious injuries may occur.

Periodic inspections of hardware must be done. In the occurrence of a fall or the safety of the equipment is in doubt, equipment must be immediately removed from service and inspected by qualified personnel before reuse.

Product number: A2126-10

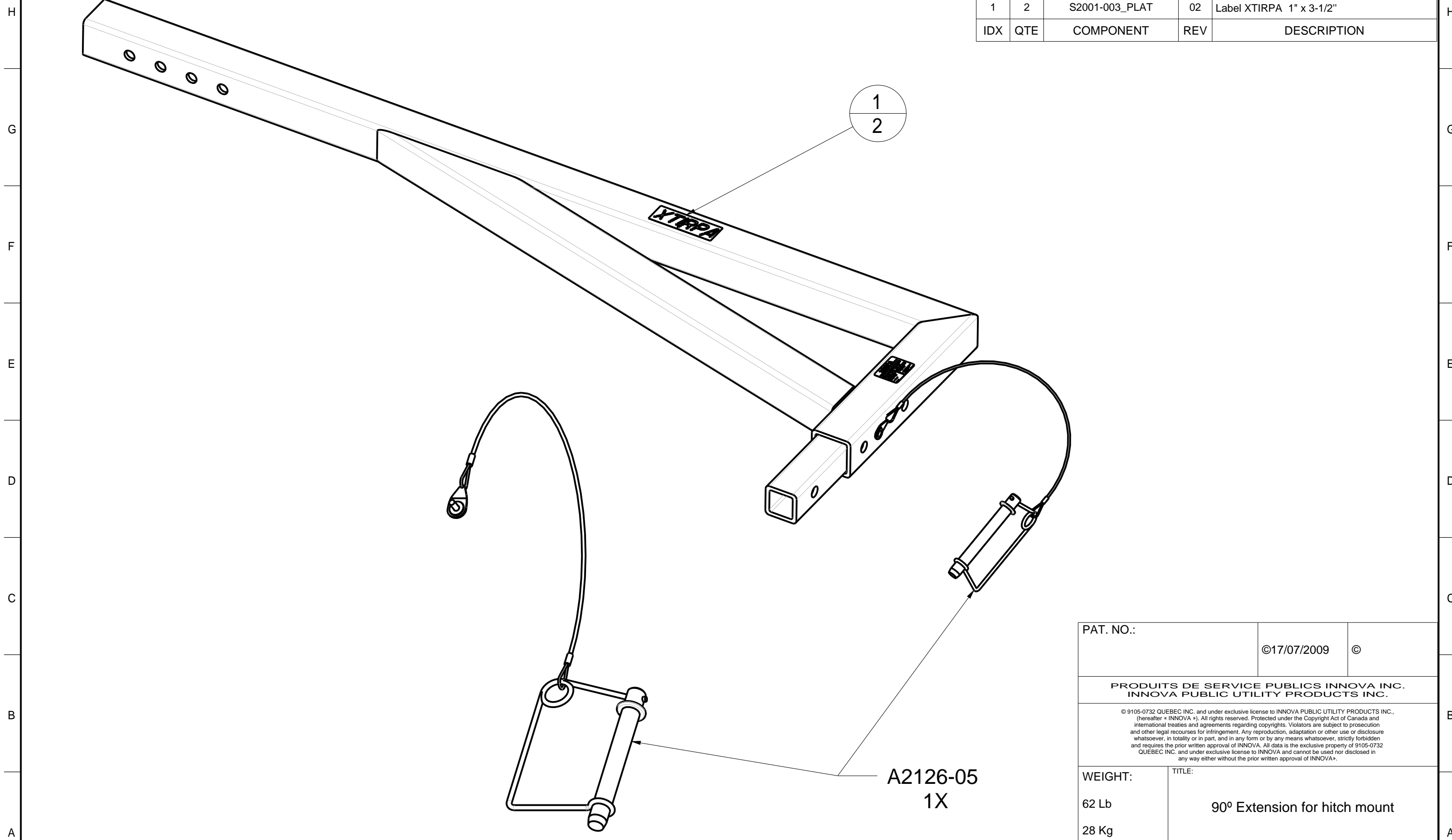


PAT. NO.:		017/07/2009		0	
PRODUITS DE SERVICE PUBLICS INNOVA INC. INNOVA PUBLIC UTILITY PRODUCTS INC.					
<small>© 1989-2009 INNOVA INC. and under exclusive license to INNOVA PUBLIC UTILITY PRODUCTS INC. All rights reserved. Protected under the Copyright Act of Canada and other legal provisions. All other legal provisions for reproduction, distribution or other use are prohibited, in whole or in part, and in any form or by any means whatsoever, without the prior written approval of INNOVA. All data is the exclusive property of INNOVA INC. and under exclusive license to INNOVA and cannot be used or disclosed in any way other than the prior written approval of INNOVA.</small>					
WEIGHT:		TITLE:			
62 Lb		90° Extension for hitch mount			
28 Kg					
COLOR:	MATERIAL:	SHEET(S):	PROJECT:		
Safety Yellow	Steel	3 / 4	A2126-10		

8 7 6 5 4 3 2 1

Product number: **A2126-10**

1	2	S2001-003_PLAT	02	Label XTIRPA 1" x 3-1/2"
IDX	QTE	COMPONENT	REV	DESCRIPTION



A2126-05  
1X

PAT. NO.:		©17/07/2009	©
<b>PRODUITS DE SERVICE PUBLICS INNOVA INC.</b> <b>INNOVA PUBLIC UTILITY PRODUCTS INC.</b>			
<small>© 9105-0732 QUEBEC INC. and under exclusive license to INNOVA PUBLIC UTILITY PRODUCTS INC., (hereafter « INNOVA »). All rights reserved. Protected under the Copyright Act of Canada and international treaties and agreements regarding copyrights. Violators are subject to prosecution and other legal recourses for infringement. Any reproduction, adaptation or other use or disclosure whatsoever, in totality or in part, and in any form or by any means whatsoever, strictly forbidden and requires the prior written approval of INNOVA. All data is the exclusive property of 9105-0732 QUEBEC INC. and under exclusive license to INNOVA and cannot be used nor disclosed in any way either without the prior written approval of INNOVA.</small>			
WEIGHT:	TITLE:		
62 Lb	90° Extension for hitch mount		
28 Kg			
COLOR:	MATERIAL:	SHEET(S):	PROJECT:
Safety Yellow	Steel	4 / 4	A2126-10

8 7 6 5 4 3 2 1