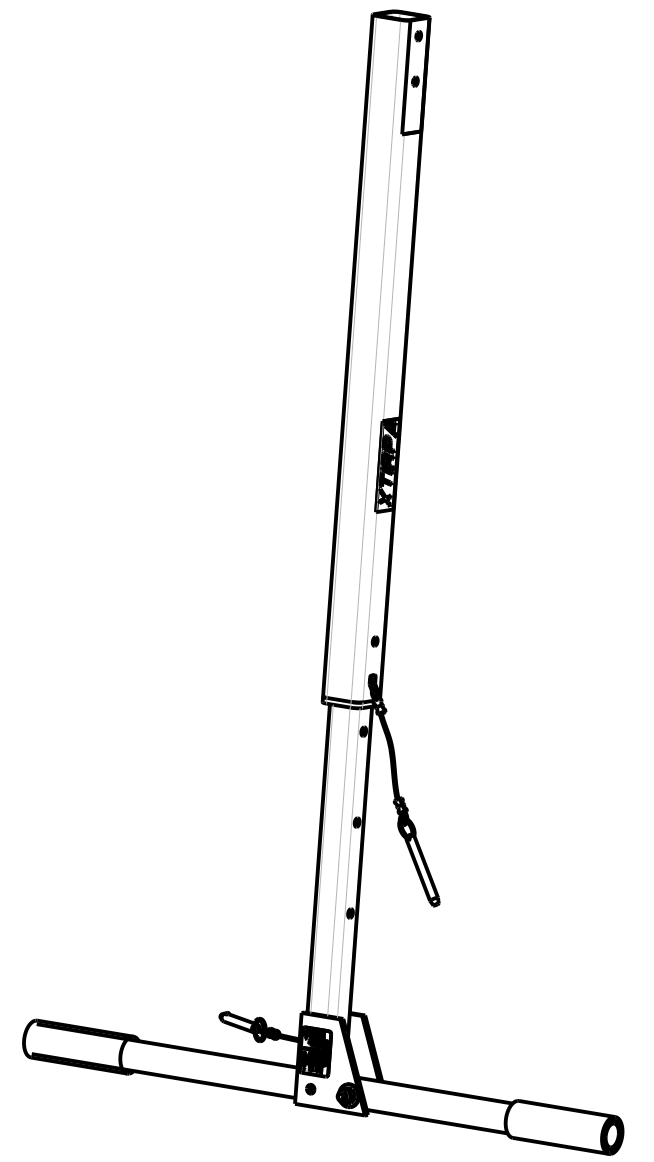
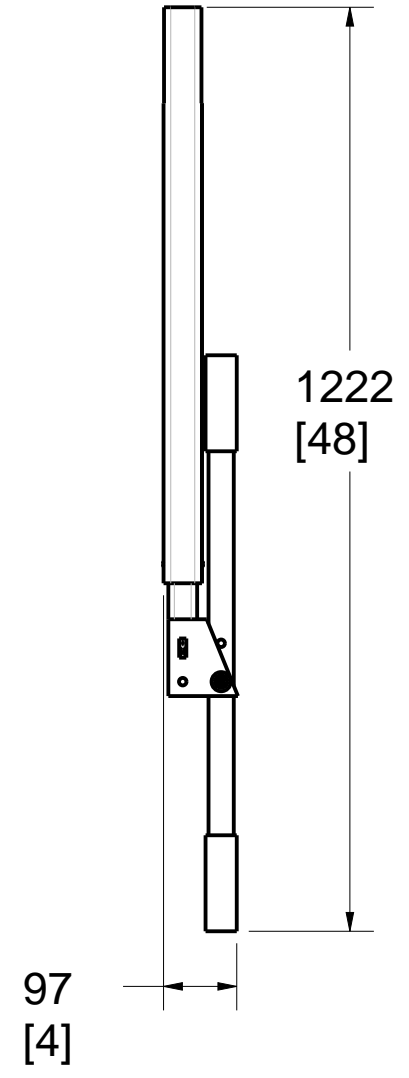
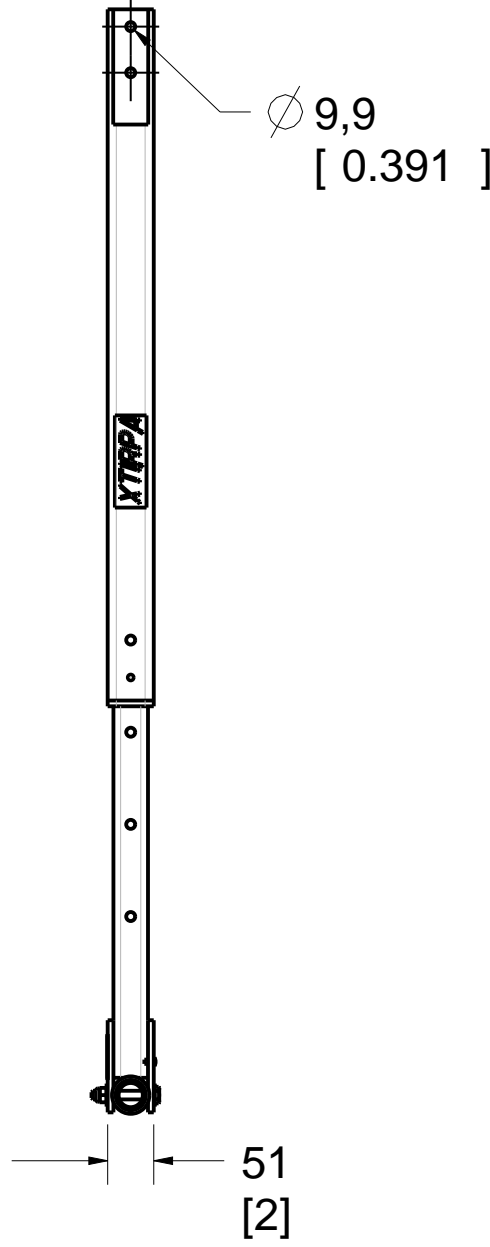
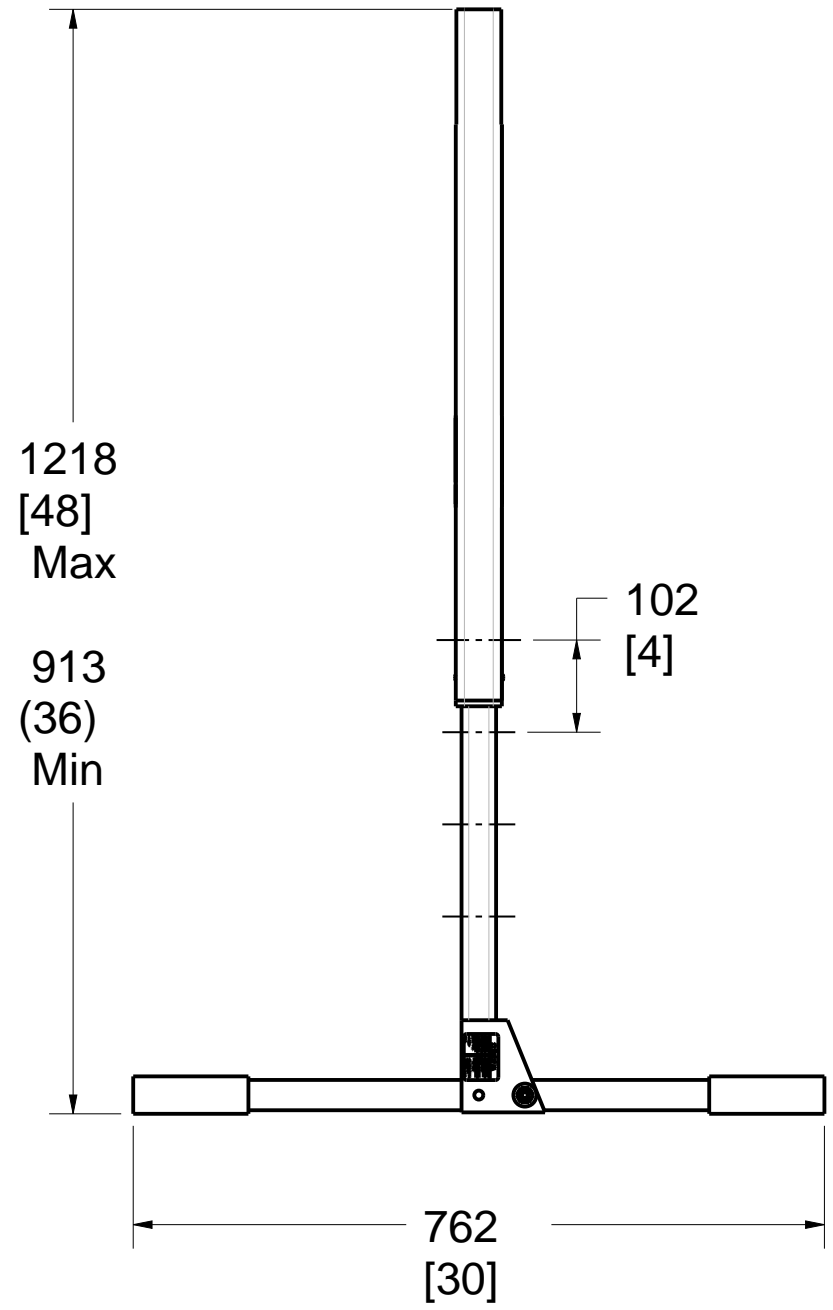


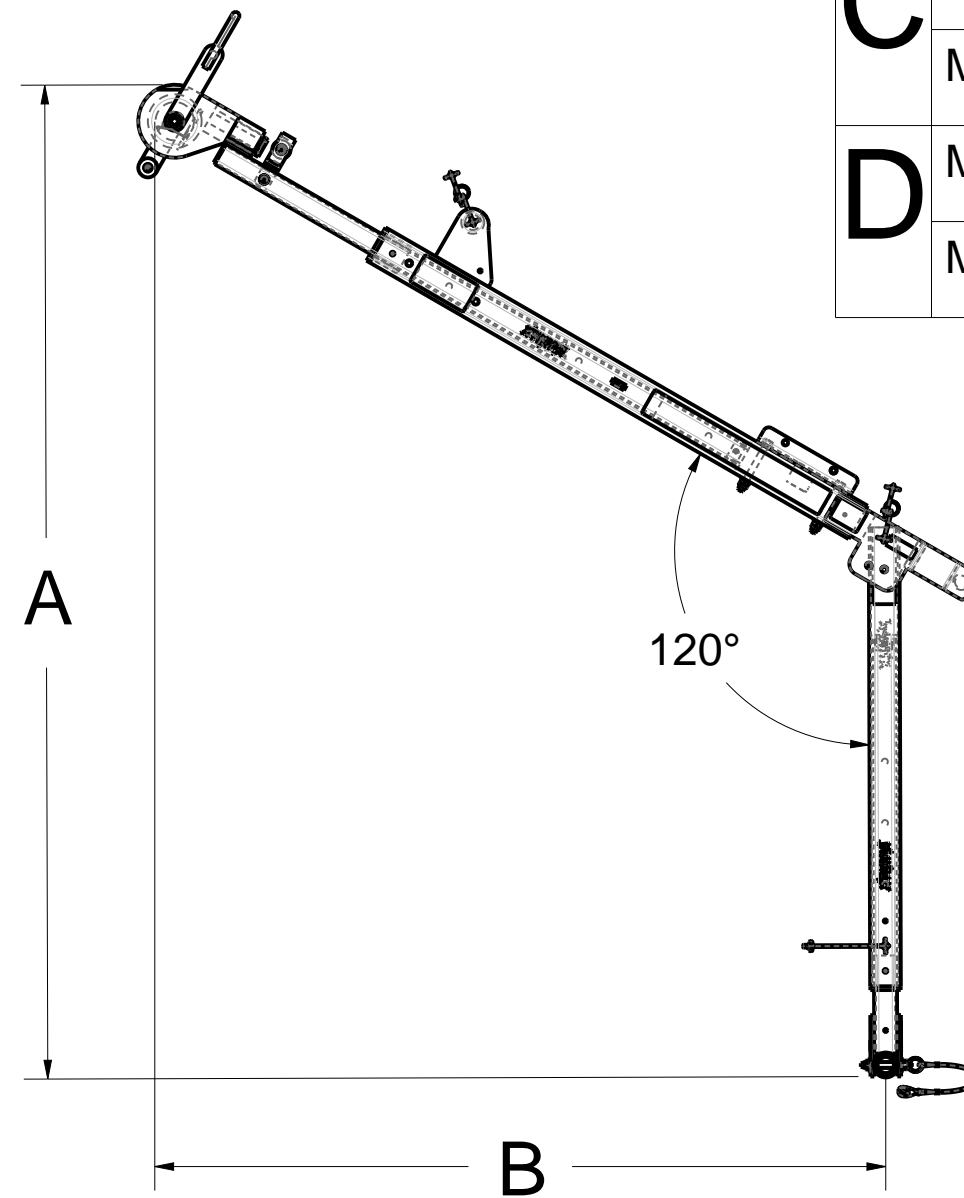
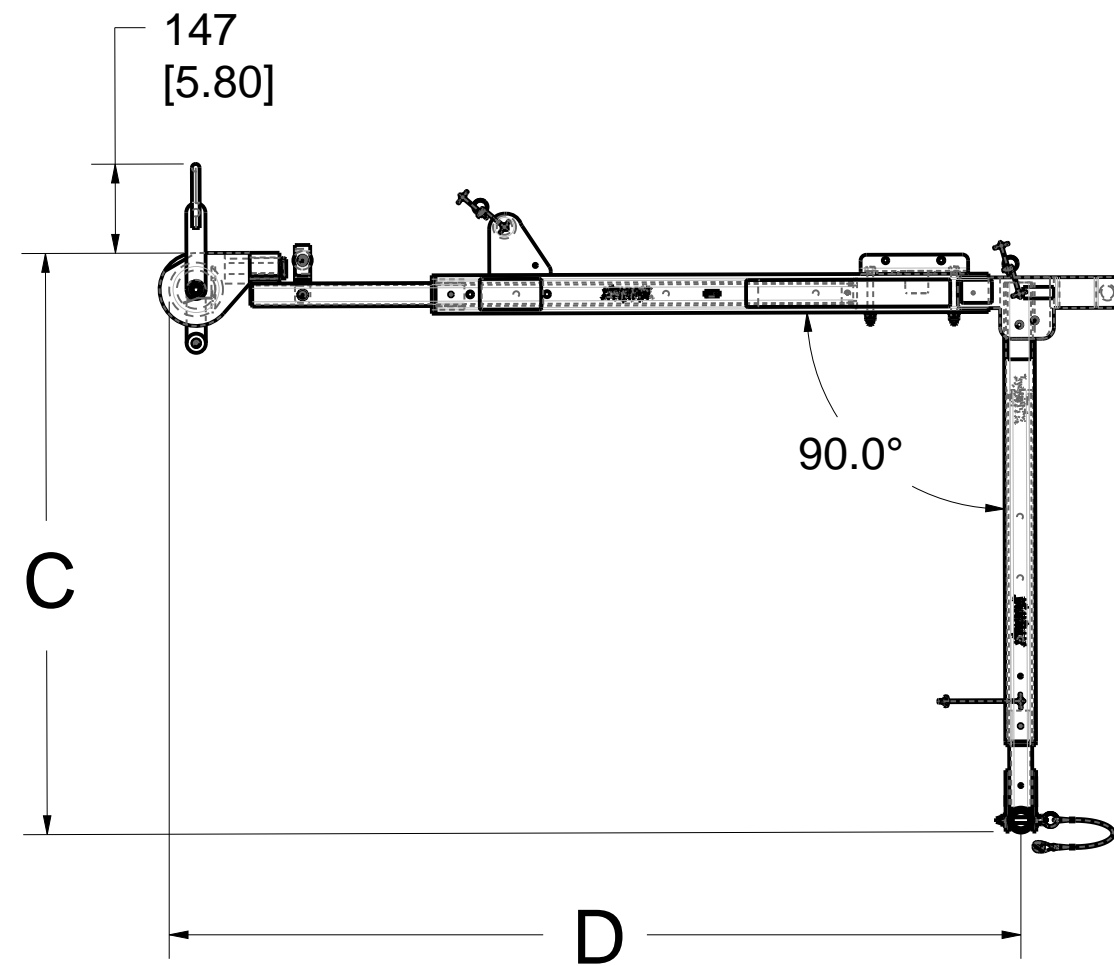
Product number: IN-2127



PAT. NO.:		©18/10/2007	©
<b>PRODUITS DE SERVICE PUBLICS INNOVA INC.</b> <b>INNOVA PUBLIC UTILITY PRODUCTS INC.</b>			
© 9105-0732 QUEBEC INC. and under exclusive license to INNOVA PUBLIC UTILITY PRODUCTS INC., (hereafter « INNOVA »). All rights reserved. Protected under the Copyright Act of Canada and international treaties and agreements regarding copyrights. Violators are subject to prosecution and other legal recourses for infringement. Any reproduction, adaptation or other use or disclosure whatsoever, in totality or in part, and in any form or by any means whatsoever, strictly forbidden and requires the prior written approval of INNOVA. All data is the exclusive property of 9105-0732 QUEBEC INC. and under exclusive license to INNOVA and cannot be used nor disclosed in any way either without the prior written approval of INNOVA.			
WEIGHT:	TITLE:		
8 Lb	<b>Ajustable T-bar leg for pole hoist</b>		
4 Kg			
COLOR:	MATERIAL:	SHEET(S):	PROJECT:
Safety Yellow	Aluminum	1 / 4	IN-2127

Product number: IN-2127

		IN-2337	IN-2338
<b>A</b>	Min	1644 [64.71]	1785 [70.27]
	Max	2172 [85.51]	2549 [100.36]
<b>B</b>	Min	1220 [48.04]	1464 [57.62]
	Max	1606 [63.23]	2256 [88.84]
<b>C</b>	Min	961 [37.83]	961 [37.83]
	Max	1266 [49.83]	1266 [49.83]
<b>D</b>	Min	1408 [55.45]	1689 [66.51]
	Max	1854 [72.99]	2605 [102.55]



PAT. NO.:		©18/10/2007	©
<b>PRODUITS DE SERVICE PUBLICS INNOVA INC.</b> <b>INNOVA PUBLIC UTILITY PRODUCTS INC.</b>			
<small>© 9105-0732 QUEBEC INC. and under exclusive license to INNOVA PUBLIC UTILITY PRODUCTS INC., (hereafter « INNOVA »). All rights reserved. Protected under the Copyright Act of Canada and international treaties and agreements regarding copyrights. Violators are subject to prosecution and other legal recourses for infringement. Any reproduction, adaptation or other use or disclosure whatsoever, in totality or in part, and in any form or by any means whatsoever, strictly forbidden and requires the prior written approval of INNOVA. All data is the exclusive property of 9105-0732 QUEBEC INC. and under exclusive license to INNOVA and cannot be used nor disclosed in any way either without the prior written approval of INNOVA.</small>			
WEIGHT:	TITLE:		
8 Lb 4 Kg	Ajustable T-bar leg for pole hoist		
COLOR:	MATERIAL:	SHEET(S):	PROJECT:
Safety Yellow	Aluminum	2 / 4	IN-2127

**SPECIFICATIONS**

This equipment is considered as part of a personal fall arrest system (PFAS) with a maximum working capacity of 164 Kg (360 lb).

It is only to be used in conjunction with a personal fall arrest system that limits the maximum arrest force (MAF).

Maximum Working Capacity (Mass): 164 kg (360 lb).  
Maximum design capacity : 16014 N (3600 lbf).

**STANDARDS**

Meets the following standards:

- OSHA Personal fall arrest system: 1910.66 App C
- ANSI Safety requirements for personal fall arrest system, Subsystems and components Z359.1 - 2007
- CAN/CSA Fall arresters, vertical lifelines, and rails Z259.2.1-98
- CE EN 795:2012 Type A

**MATERIAL AND CONSTRUCTION**

- Extension and guide tubes : Aluminum 6061-T6
- Hardware : Zinc plated steel
- Guide tube sliders : Black acetal
- Finish : Yellow security powder paint with metal protection base.
- Welding certification: CSA W47.2M

**RESTRICTIONS**

This product is to be used only with products approved by Innova public utility products INC. such as:  
Pole Hoist : IN-2337 or IN-2338

This product must only be used in a vertical position.

Product number: IN-2127



PAT. NO.:		018/10/2007 ©	
PRODUITS DE SERVICE PUBLICS INNOVA INC. INNOVA PUBLIC UTILITY PRODUCTS INC.			
<small>© 2007-2010 INNOVA INC. and under exclusive license to INNOVA PUBLIC UTILITY PRODUCTS INC., Invention of INNOVA INC. All rights reserved. Protected under the Copyright Act of Canada and international treaties and agreements regarding copyright. Distortion or other use of disclosure and other legal measures for infringement, any reproduction, adaptation or other use of disclosure whatsoever, in whole or in part, and in any form or by any means whatsoever, strictly forbidden and requires the prior written approval of INNOVA. All data is the exclusive property of INNOVA INC. and under exclusive license to INNOVA and cannot be sold nor disclosed in any way without the prior written approval of INNOVA.</small>			
WEIGHT:	TITLE:		
8 lb 4 Kg	Adjustable T-bar leg for pole hoist		
COLOR:	MATERIAL:	SHEETS:	PROJECT:
Safety Yellow	Aluminium	3 / 4	IN-2337

8

7

6

5

4

3

2

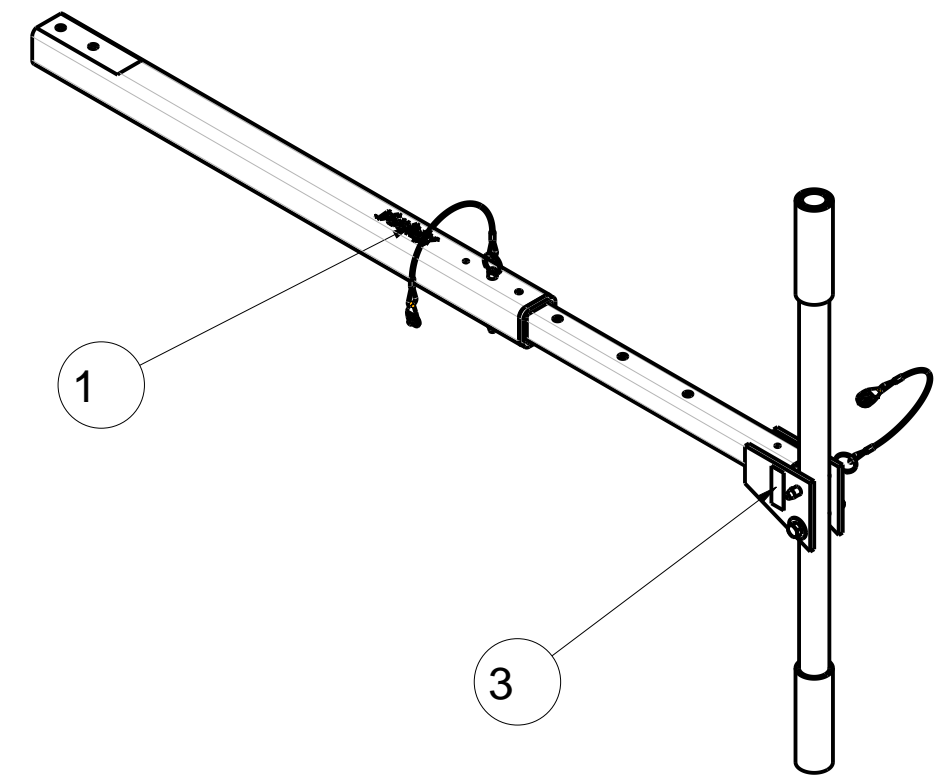
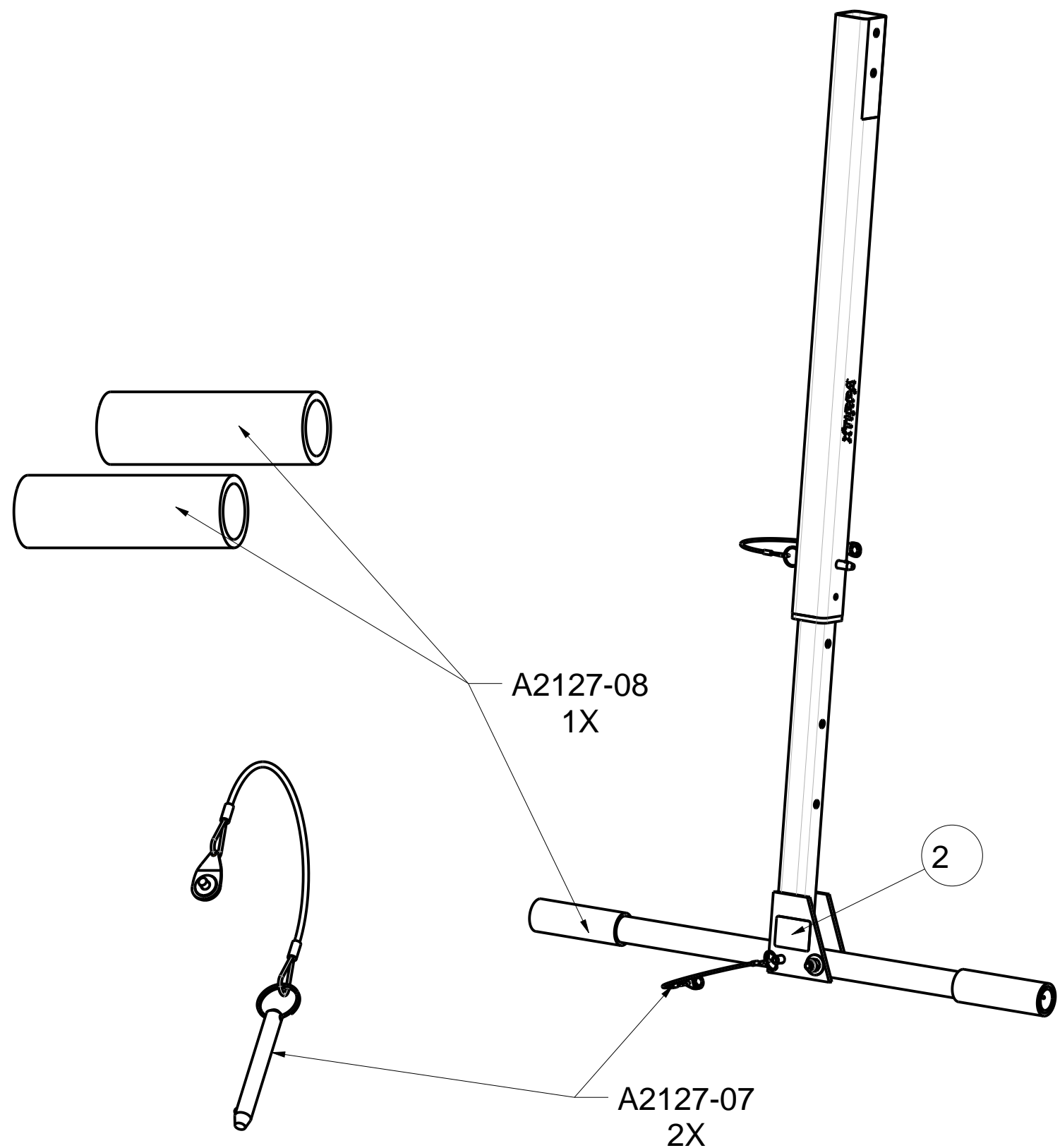
1

H  
G  
F  
E  
D  
C  
B  
A

H  
G  
F  
E  
D  
C  
B  
A

Product number: IN-2127

3	1	S2337-003	RevD	Étiquette sécurité Type A	
2	1	S2001-005	RevC	Étiquette NO. produit et NO. Série	
1	2	S2001-003	E	LOGO XTIRPA	
IDX	QTE	COMPOSANTE	REV	DESCRIPTION	MATERIAU



PAT. NO.:		©18/10/2007	©
<b>PRODUITS DE SERVICE PUBLICS INNOVA INC.</b> <b>INNOVA PUBLIC UTILITY PRODUCTS INC.</b>			
<small>© 9105-0732 QUEBEC INC. and under exclusive license to INNOVA PUBLIC UTILITY PRODUCTS INC., (hereafter « INNOVA »). All rights reserved. Protected under the Copyright Act of Canada and international treaties and agreements regarding copyrights. Violators are subject to prosecution and other legal recourses for infringement. Any reproduction, adaptation or other use or disclosure whatsoever, in totality or in part, and in any form or by any means whatsoever, strictly forbidden and requires the prior written approval of INNOVA. All data is the exclusive property of 9105-0732 QUEBEC INC. and under exclusive license to INNOVA and cannot be used nor disclosed in any way either without the prior written approval of INNOVA.</small>			
WEIGHT:	TITLE:		
8 Lb	Ajustable T-bar leg for pole hoist		
4 Kg			
COLOR:	MATERIAL:	SHEET(S):	PROJECT:
Safety Yellow	Aluminum	4 / 4	IN-2127

8

7

6

5

4

3

2

1