

PAT. NO.:		©27/01/2012	©
PRODUITS DE SERVICE PUBLICS INNOVA INC. INNOVA PUBLIC UTILITY PRODUCTS INC.			
© 9105-0732 QUEBEC INC. and under exclusive license to INNOVA PUBLIC UTILITY PRODUCTS INC., (hereafter « INNOVA »). All rights reserved. Protected under the Copyright Act of Canada and international treaties and agreements regarding copyrights. Violators are subject to prosecution and other legal recourses for infringement. Any reproduction, adaptation or other use or disclosure whatsoever, in totality or in part, and in any form or by any means whatsoever, strictly forbidden and requires the prior written approval of INNOVA. All data is the exclusive property of 9105-0732 QUEBEC INC. and under exclusive license to INNOVA and cannot be used nor disclosed in any way either without the prior written approval of INNOVA.			
WEIGHT:	TITLE:		
10.0 Lb	Ladder adapter for manhole collar		
4.5 Kg			
COLOR:	MATERIAL:	SHEET(S):	PROJECT:
Safety yellow	Aluminum	1 / 5	A2217-05

8

7

6

5

4

3

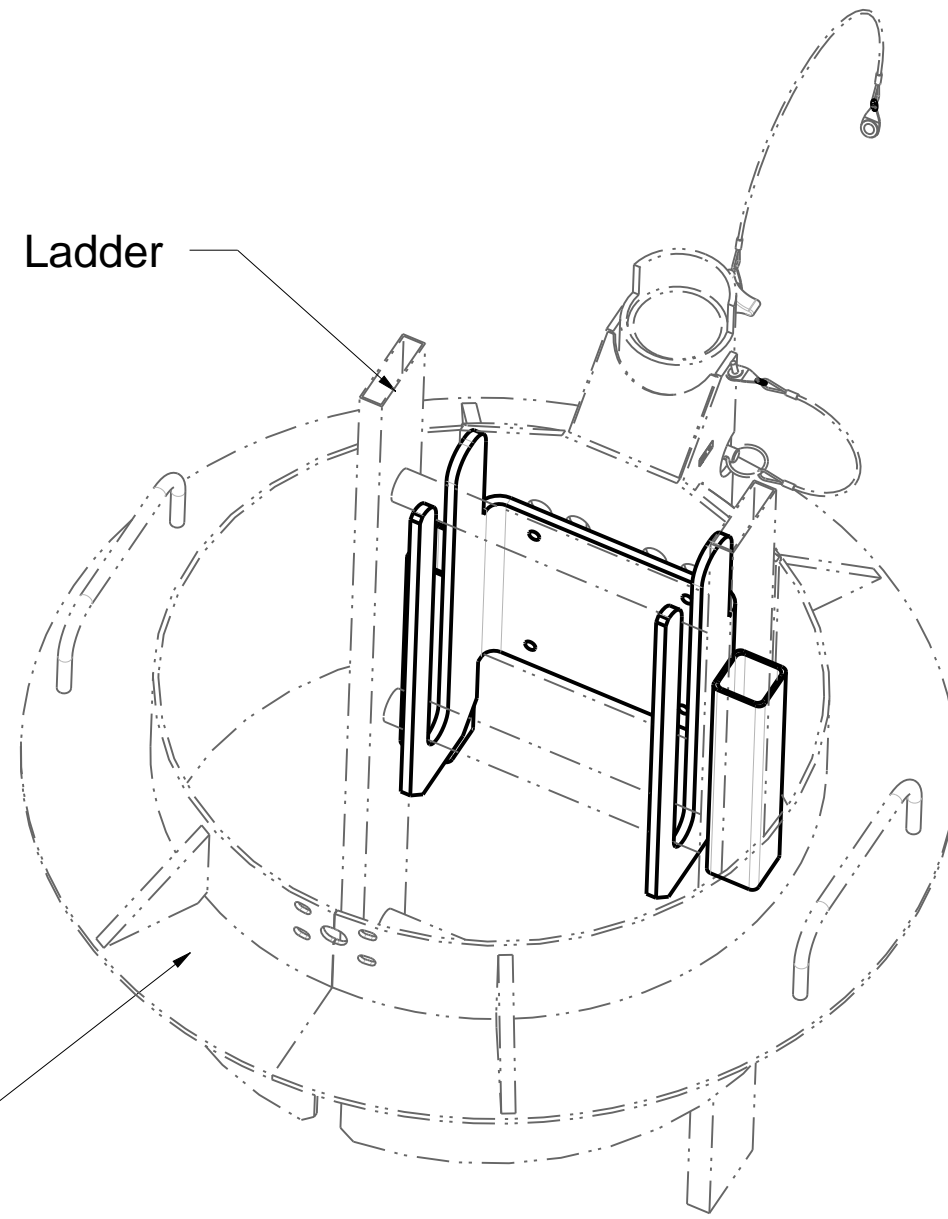
2

1

Product number: A2217-05

H
G
F
E
D
C
B
A

H
G
F
E
D
C
B
A



Ladder

Manhole Collar

PAT. NO.:		©27/01/2012	©
PRODUITS DE SERVICE PUBLICS INNOVA INC. INNOVA PUBLIC UTILITY PRODUCTS INC.			
<small>© 9105-0732 QUEBEC INC. and under exclusive license to INNOVA PUBLIC UTILITY PRODUCTS INC., (hereafter « INNOVA »). All rights reserved. Protected under the Copyright Act of Canada and international treaties and agreements regarding copyrights. Violators are subject to prosecution and other legal recourses for infringement. Any reproduction, adaptation or other use or disclosure whatsoever, in totality or in part, and in any form or by any means whatsoever, strictly forbidden and requires the prior written approval of INNOVA. All data is the exclusive property of 9105-0732 QUEBEC INC. and under exclusive license to INNOVA and cannot be used nor disclosed in any way either without the prior written approval of INNOVA.</small>			
WEIGHT:	TITLE:		
10.0 Lb	Ladder adapter for manhole collar		
4.5 Kg			
COLOR:	MATERIAL:	SHEET(S):	PROJECT:
Safety yellow	Aluminum	2 / 5	A2217-05

8

7

6

5

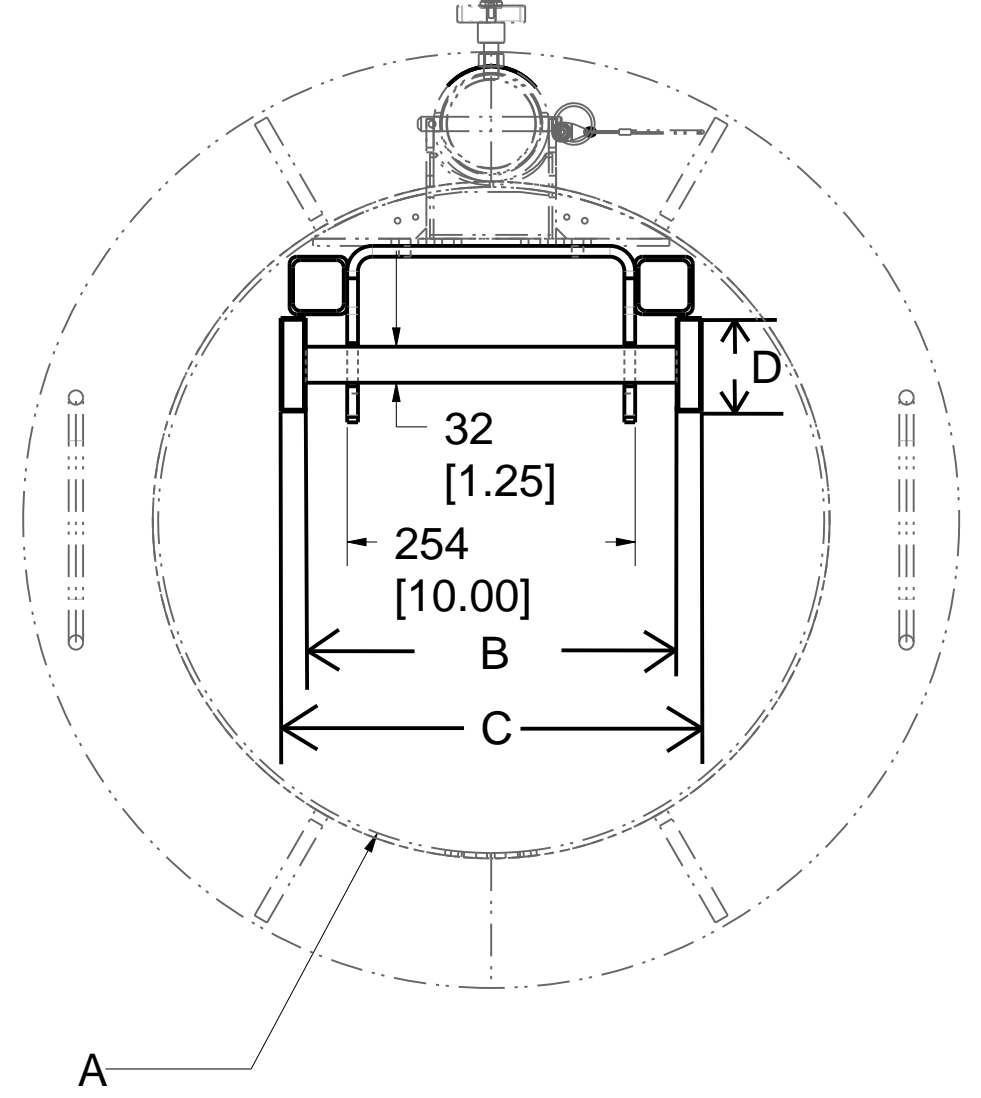
4

3

2

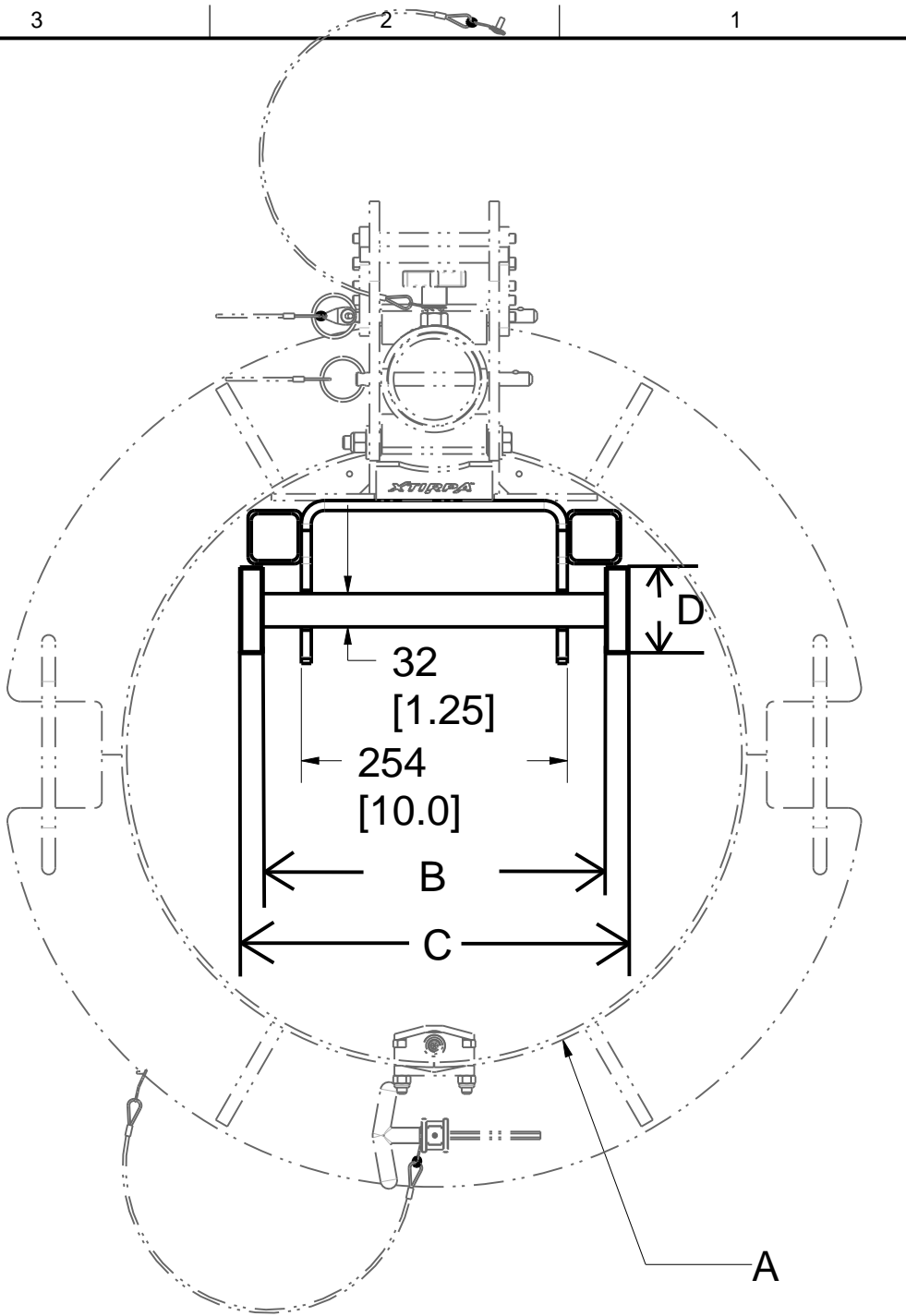
1

(Ladder dimensions)				
A				
Manhole collar	Entry Hole Dimension mm (inch)	B Minimum Width mm (inch)	C Maximum possible Width mm (inch)	D Maximum side rail mm (inch)
IN-2167	762 - 813 [30.00 - 32.00]	267 [10.50]	371 [14.625]	83 [3.25]
IN-2180	1080 - 1118 [42.50 - 44.00]	267 [10.50]	371 [14.625]	83 [3.25]
IN-2217	610 - 660 [24.00 - 26.00]	267 [10.50]	371 [14.625]	83 [3.25]
IN-2218	711 - 762 [28.00 - 30.00]	267 [10.50]	371 [14.625]	83 [3.25]
IN-2219	457 - 508 [18.00 - 20.00]	See A2217-17 or 2217-25	See A2217-17 or 2217-25	_____
IN-2220	508 - 556 [20.00 - 22.00]	See A2217-17 or 2217-25	See A2217-17 or 2217-25	_____
IN-2221	556 - 610 [22.00 - 24.00]	267 [10.50]	371 [14.625]	83 [3.25]
IN-2222	660 - 711 [26.00 - 28.00]	267 [10.50]	371 [14.625]	83 [3.25]
IN-2223	813 - 864 [32.00 - 34.00]	267 [10.50]	371 [14.625]	83 [3.25]
IN-2224	864 - 915 [34.00 - 36.00]	267 [10.50]	371 [14.625]	83 [3.25]
IN-2269	813 - 1067 [32.00 - 42.00]	267 [10.50]	371 [14.625]	83 [3.25]
IN-2287	406 - 457 [16.00 - 18.00]	See A2217-17 or 2217-25	See A2217-17 or 2217-25	_____
IN-2306	965 - 1016 [38.00 - 40.00]	267 [10.50]	371 [14.625]	83 [3.25]
IN-2333	508 - 559 [20.00 - 22.00]	See A2217-17 or 2217-25	See A2217-17 or 2217-25	_____
IN-2362	356 - 406 [14.00 - 16.00]	_____	_____	_____
IN-2379	457 - 508 [18.00 - 20.00]	See A2217-17 or 2217-25	See A2217-17 or 2217-25	_____



PAT. NO.:		©27/01/2012	©
PRODUITS DE SERVICE PUBLICS INNOVA INC. INNOVA PUBLIC UTILITY PRODUCTS INC.			
<small>© 9105-0732 QUEBEC INC. and under exclusive license to INNOVA PUBLIC UTILITY PRODUCTS INC. (hereafter « INNOVA »). All rights reserved. Protected under the Copyright Act of Canada and international treaties and agreements regarding copyrights. Violators are subject to prosecution and other legal recourses for infringement. Any reproduction, adaptation or other use or disclosure whatsoever, in totality or in part, and in any form or by any means whatsoever, strictly forbidden and requires the prior written approval of INNOVA. All data is the exclusive property of 9105-0732 QUEBEC INC. and under exclusive license to INNOVA and cannot be used nor disclosed in any way either without the prior written approval of INNOVA.</small>			
WEIGHT:	TITLE:		
10.0 Lb	Ladder adapter for manhole collar		
4.5 Kg			
COLOR:	MATERIAL:	SHEET(S):	PROJECT:
Safety yellow	Aluminum	3 / 5	A2217-05

(Ladder dimensions)				
A				
Manhole collar	Entry Hole Dimension mm (inch)	B Minimum Width mm (inch)	C Maximum possible Width mm (inch)	D Maximum side rail mm (inch)
IN-2486	406 - 457 [16.00 - 18.00]	See A2217-17 or 2217-25	See A2217-17 or 2217-25	—————
IN-2487	762 - 813 [30.00 - 32.00]	267 [10.50]	371 [14.625]	83 [3.25]
IN-2490	556 - 610 [22.00 - 24.00]	267 [10.50]	371 [14.625]	83 [3.25]
IN-2496	457 - 508 [18.00 - 20.00]	See A2217-17 or 2217-25	See A2217-17 or 2217-25	—————
IN-2497	508 - 559 [20.00 - 22.00]	See A2217-17 or 2217-25	See A2217-17 or 2217-25	—————
IN-2498	610 - 660 [24.00 - 26.00]	267 [10.50]	371 [14.625]	83 [3.25]
IN-2499	660 - 711 [26.00 - 28.00]	267 [10.50]	371 [14.625]	83 [3.25]
IN-2500	711 - 762 [28.00 - 30.00]	267 [10.50]	371 [14.625]	83 [3.25]



PAT. NO.:		©27/01/2012	©
PRODUITS DE SERVICE PUBLICS INNOVA INC. INNOVA PUBLIC UTILITY PRODUCTS INC.			
<small>© 9105-0732 QUEBEC INC. and under exclusive license to INNOVA PUBLIC UTILITY PRODUCTS INC., (hereafter « INNOVA »). All rights reserved. Protected under the Copyright Act of Canada and international treaties and agreements regarding copyrights. Violators are subject to prosecution and other legal recourses for infringement. Any reproduction, adaptation or other use or disclosure whatsoever, in totality or in part, and in any form or by any means whatsoever, strictly forbidden and requires the prior written approval of INNOVA. All data is the exclusive property of 9105-0732 QUEBEC INC. and under exclusive license to INNOVA and cannot be used nor disclosed in any way either without the prior written approval of INNOVA.</small>			
WEIGHT:	TITLE:		
10.0 Lb	Ladder adapter for manhole collar		
4.5 Kg			
COLOR:	MATERIAL:	SHEET(S):	PROJECT:
Safety yellow	Aluminum	4 / 5	A2217-05

8

7

6

5

4

3

2

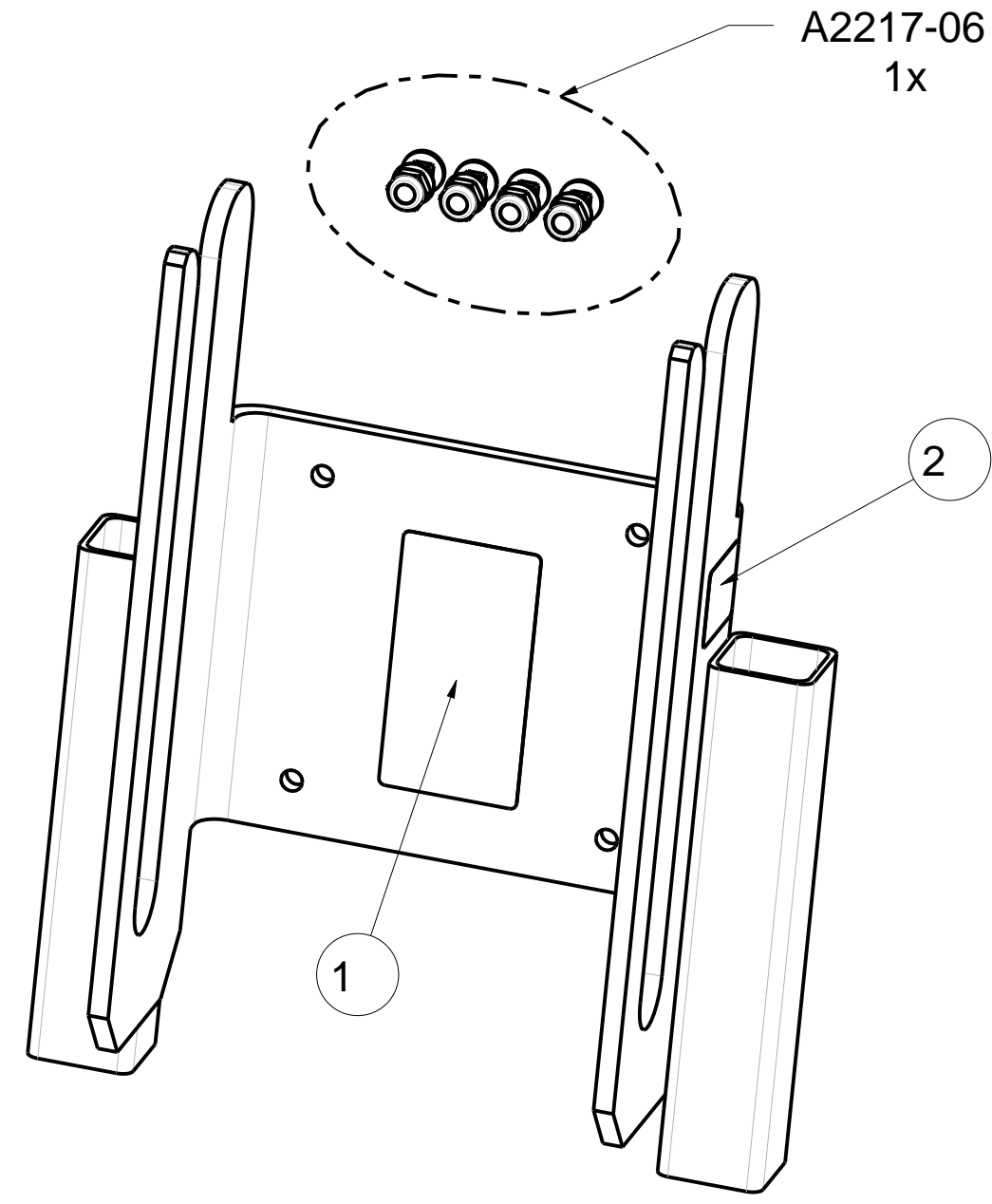
1

H
G
F
E
D
C
B
A

H
G
F
E
D
C
B
A

Product number: **A2217-05**

2	1	S2001-005	RevC	Étiquette NO. produit et NO. Série	
1	1	S2103-001	RevA	Étiquette mise en garde anneau d'entrée	
IDX	QTE	COMPOSANTE	REV	DESCRIPTION	MATERIAU



PAT. NO.:		©27/01/2012	©
PRODUITS DE SERVICE PUBLICS INNOVA INC. INNOVA PUBLIC UTILITY PRODUCTS INC.			
<small>© 9105-0732 QUEBEC INC. and under exclusive license to INNOVA PUBLIC UTILITY PRODUCTS INC., (hereafter « INNOVA »). All rights reserved. Protected under the Copyright Act of Canada and international treaties and agreements regarding copyrights. Violators are subject to prosecution and other legal recourses for infringement. Any reproduction, adaptation or other use or disclosure whatsoever, in totality or in part, and in any form or by any means whatsoever, strictly forbidden and requires the prior written approval of INNOVA. All data is the exclusive property of 9105-0732 QUEBEC INC. and under exclusive license to INNOVA and cannot be used nor disclosed in any way either without the prior written approval of INNOVA.</small>			
WEIGHT:	TITLE:		
10.0 Lb	Ladder adapter for manhole collar		
4.5 Kg			
COLOR:	MATERIAL:	SHEET(S):	PROJECT:
Safety yellow	Aluminum	5 / 5	A2217-05

8

7

6

5

4

3

2

1