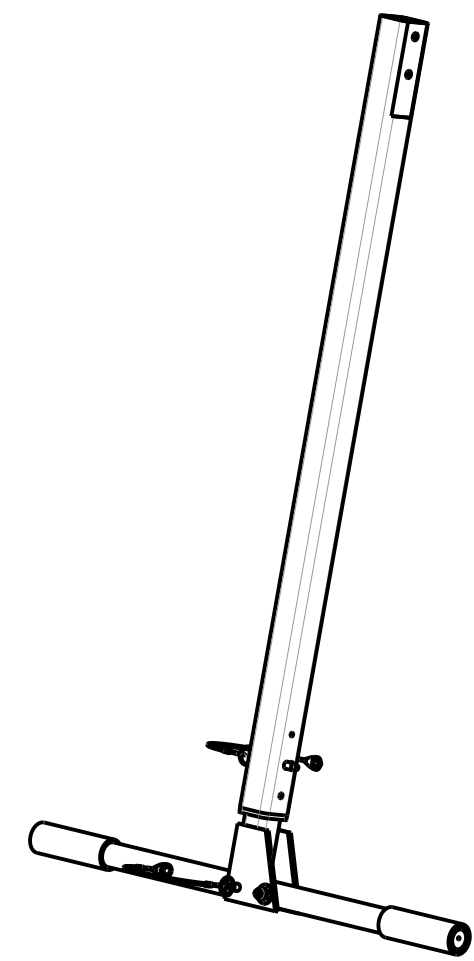
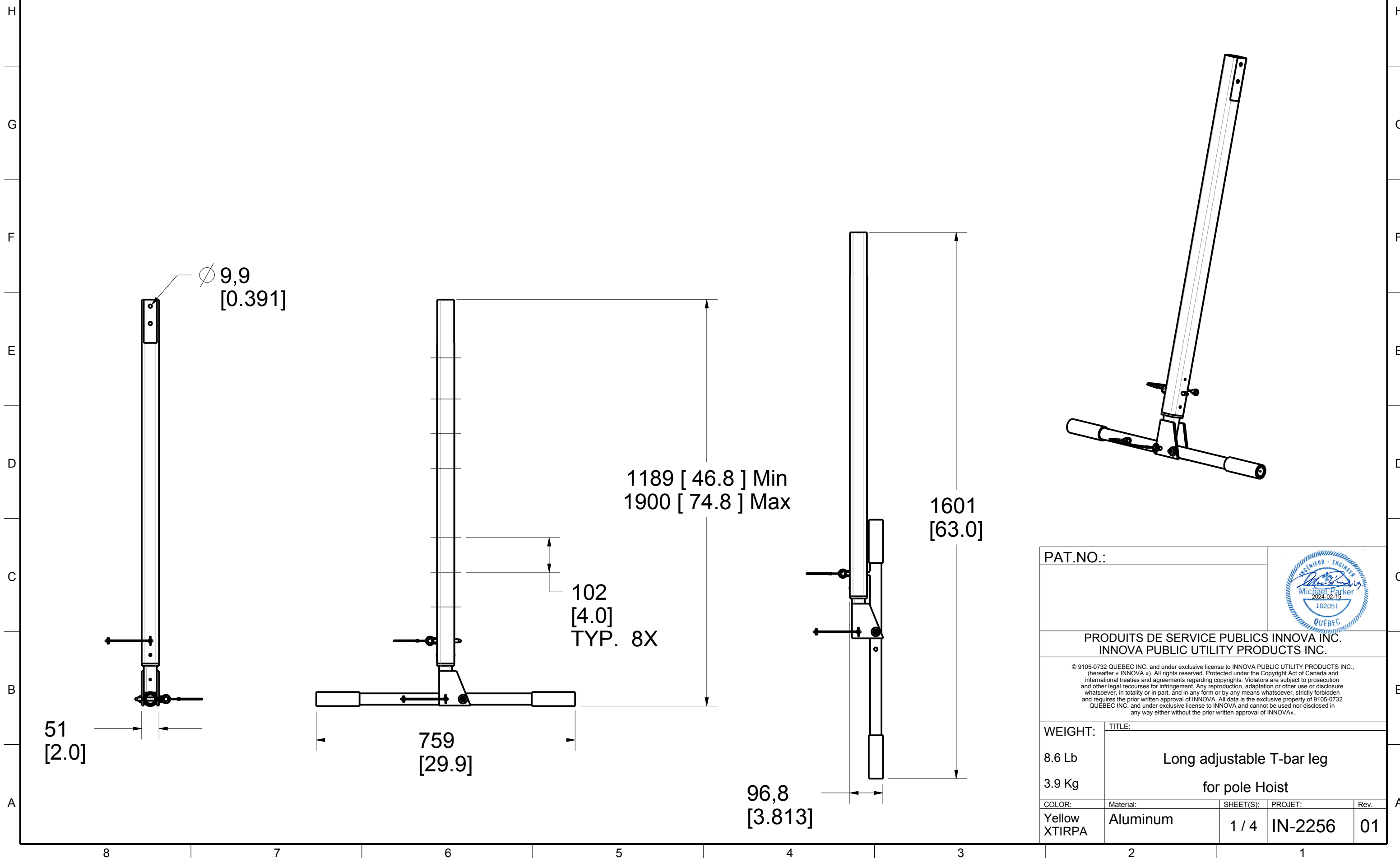
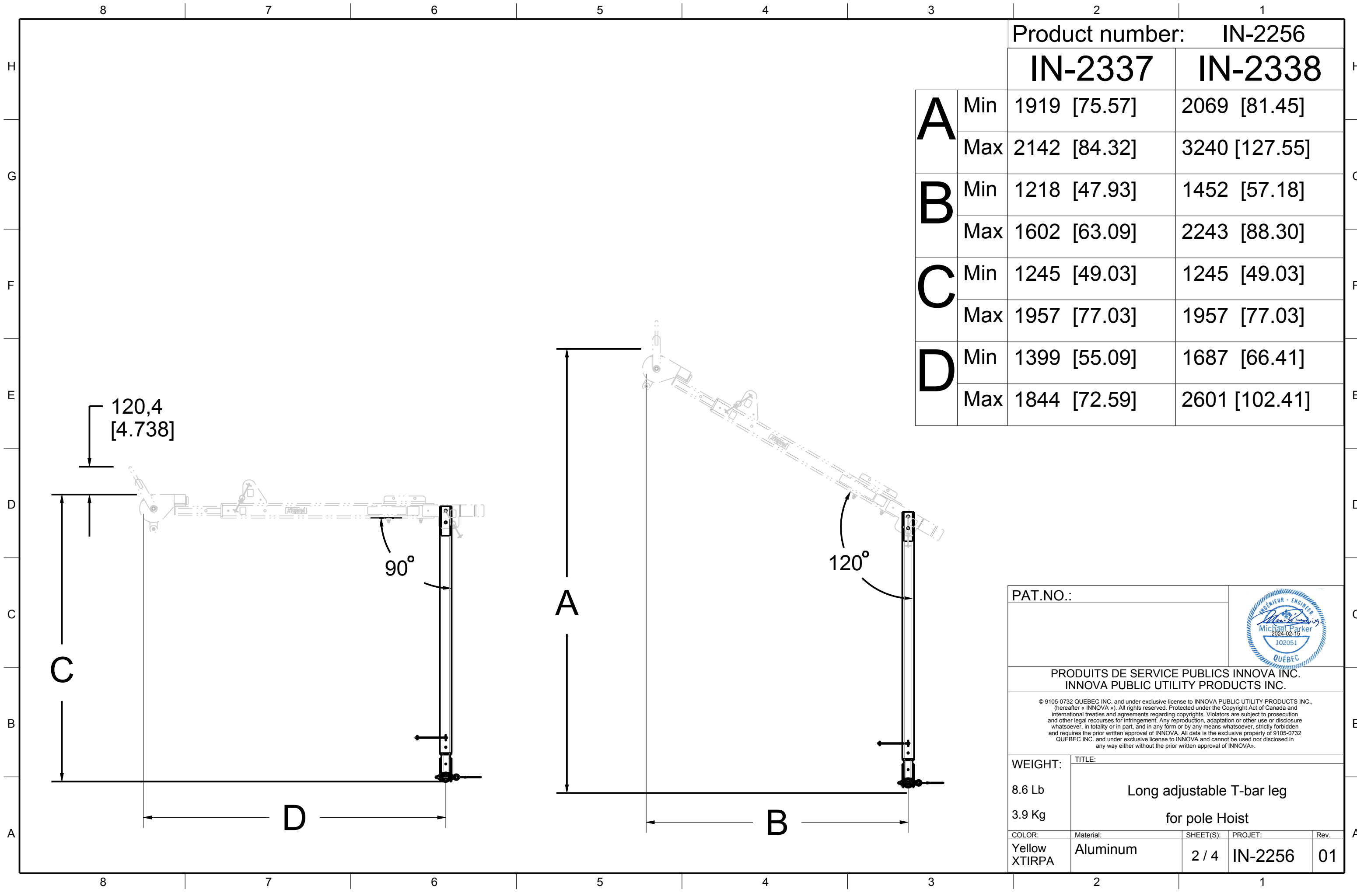


Product number: IN-2256




PAT.NO.:				
PRODUITS DE SERVICE PUBLICS INNOVA INC. INNOVA PUBLIC UTILITY PRODUCTS INC.				
© 9105-0732 QUEBEC INC. and under exclusive license to INNOVA PUBLIC UTILITY PRODUCTS INC., (hereafter « INNOVA »). All rights reserved. Protected under the Copyright Act of Canada and international treaties and agreements regarding copyrights. Violators are subject to prosecution and other legal recourses for infringement. Any reproduction, adaptation or other use or disclosure whatsoever, in totality or in part, and in any form or by any means whatsoever, strictly forbidden and requires the prior written approval of INNOVA. All data is the exclusive property of 9105-0732 QUEBEC INC. and under exclusive license to INNOVA and cannot be used nor disclosed in any way either without the prior written approval of INNOVA®.				
WEIGHT:	TITLE:			
8.6 Lb	Long adjustable T-bar leg			
3.9 Kg	for pole Hoist			
COLOR:	Material:	SHEET(S):	PROJET:	Rev.
Yellow XTIRPA	Aluminum	1 / 4	IN-2256	01



Product number: IN-2256
 IN-2337 IN-2338

A	Min	1919 [75.57]	2069 [81.45]
	Max	2142 [84.32]	3240 [127.55]
B	Min	1218 [47.93]	1452 [57.18]
	Max	1602 [63.09]	2243 [88.30]
C	Min	1245 [49.03]	1245 [49.03]
	Max	1957 [77.03]	1957 [77.03]
D	Min	1399 [55.09]	1687 [66.41]
	Max	1844 [72.59]	2601 [102.41]

PAT.NO.:


PRODUITS DE SERVICE PUBLICS INNOVA INC.
 INNOVA PUBLIC UTILITY PRODUCTS INC.
© 9105-0732 QUEBEC INC. and under exclusive license to INNOVA PUBLIC UTILITY PRODUCTS INC., (hereafter « INNOVA »). All rights reserved. Protected under the Copyright Act of Canada and international treaties and agreements regarding copyrights. Violators are subject to prosecution and other legal recourses for infringement. Any reproduction, adaptation or other use or disclosure whatsoever, in totality or in part, and in any form or by any means whatsoever, strictly forbidden and requires the prior written approval of INNOVA. All data is the exclusive property of 9105-0732 QUEBEC INC. and under exclusive license to INNOVA and cannot be used nor disclosed in any way either without the prior written approval of INNOVA.

WEIGHT: 8.6 Lb / 3.9 Kg
 TITLE: Long adjustable T-bar leg for pole Hoist

COLOR: Yellow XTIRPA	Material: Aluminum	SHEET(S): 2 / 4	PROJET: IN-2256	Rev: 01
----------------------	--------------------	-----------------	-----------------	---------

SPECIFICATIONS

H This equipment is considered as part of a personal fall arrest system (PFAS) with a maximum working capacity of 164 Kg (360 lb).

It is only to be used in conjunction with a personal fall arrest system that limits the maximum arrest force (MAF).

G When used with IN-2337 and IN-2338.
 Maximum Working Capacity (Mass): 164 kg (360 lb).
 Maximum design capacity : 16,014 N (3,600 lbf).

STANDARDS

F Meets the following standards:
 OSHA Personal fall arrest system: 1910.66 App C
 ANSI Safety requirements for personal fall arrest system, Subsystems and components Z359.1 - 2007
 CAN/CSA Fall arresters, vertical lifelines, and rails Z259.2.1-98
 CE EN 795:2012 Type A

MATERIAL AND CONSTRUCTION

D Extension and guide tubes : Aluminum 6061-T6
 Hardware : Zinc plated steel and Stainless steel
 Guide tube sliders : Black Delrin acetal
 Finish : Yellow security powder paint with metal protection base.
 Welding certification: CSA W47,2M

RESTRICTIONS

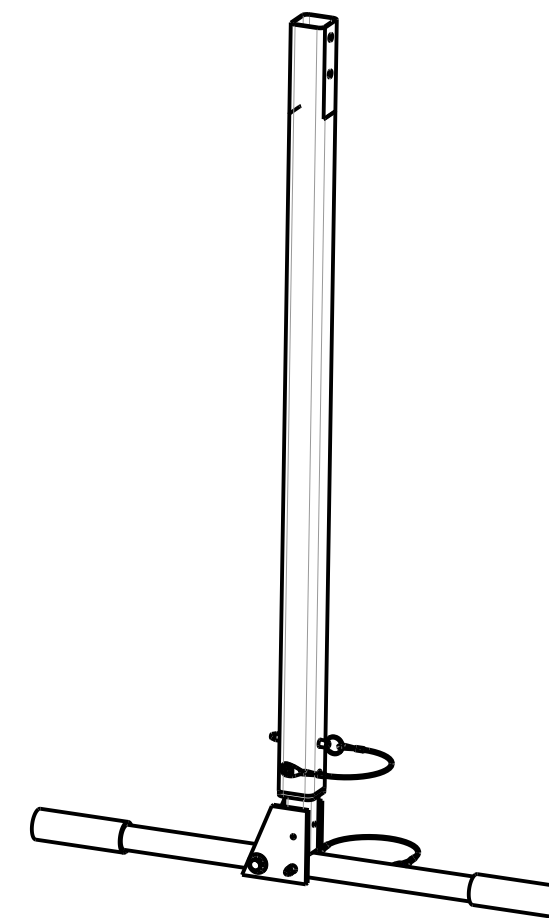
C This product is to be used only with products approved by Innova Public Utility Products inc. such as:
 Pole Hoist : IN-2337 or IN-2338

B IMPORTANT :

**Periodic inspections of hardware must be done.
 In the occurrence of a fall or the safety of the equipment is in doubt, equipment must be immediately removed from service and inspected by qualified personnel before reuse.

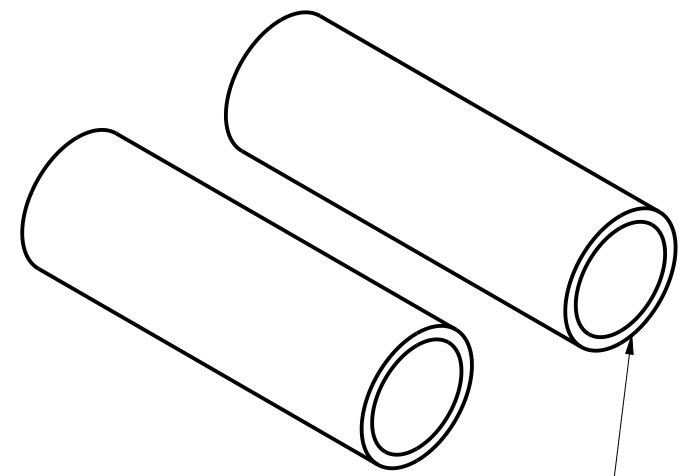
A **This product must only be used in a vertical position.

Product number: IN-2256

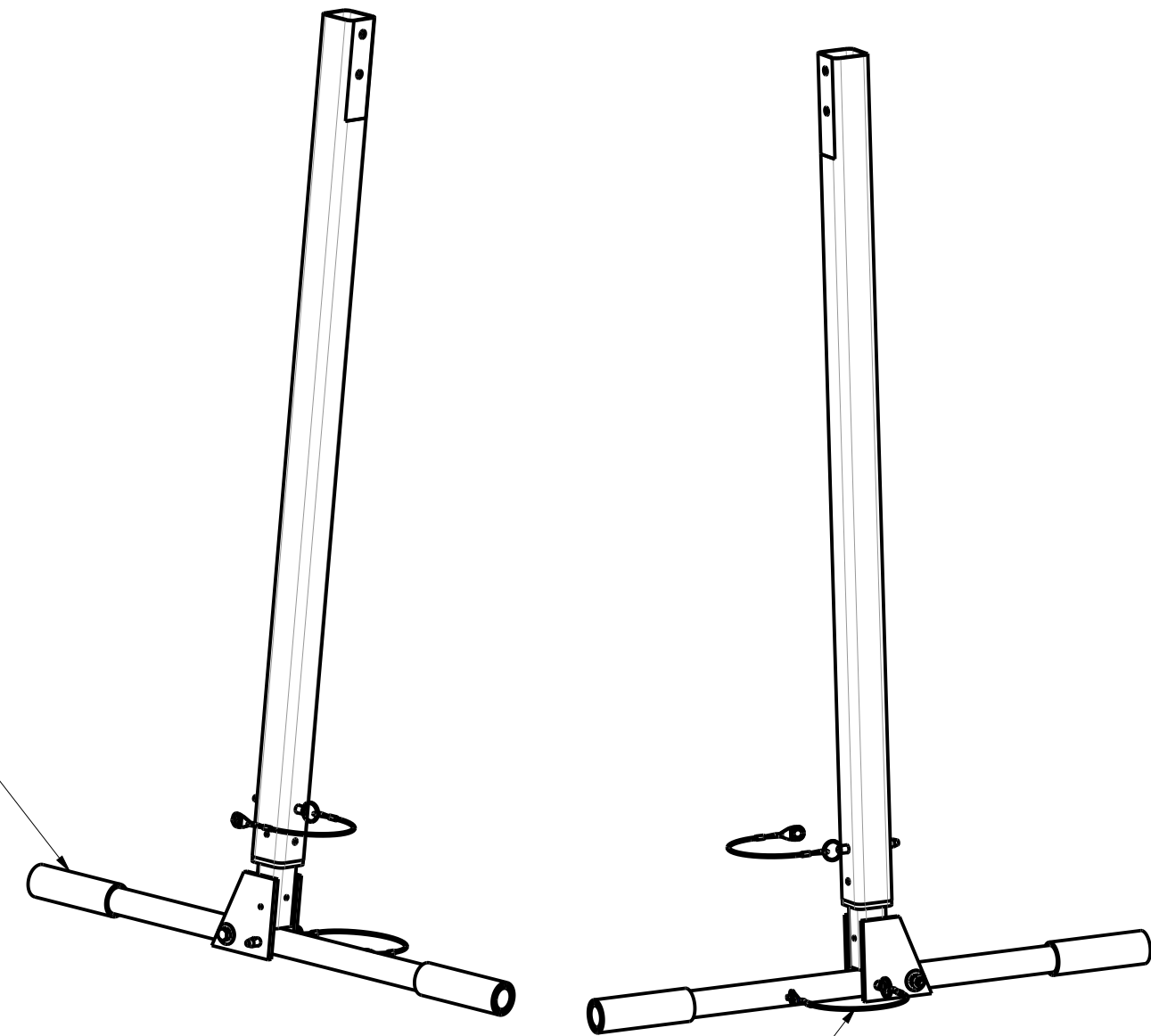


PAT.NO.:				
PRODUITS DE SERVICE PUBLICS INNOVA INC. INNOVA PUBLIC UTILITY PRODUCTS INC.				
<small>© 9105-0732 QUEBEC INC. and under exclusive license to INNOVA PUBLIC UTILITY PRODUCTS INC., (hereafter « INNOVA »). All rights reserved. Protected under the Copyright Act of Canada and international treaties and agreements regarding copyrights. Violators are subject to prosecution and other legal recourses for infringement. Any reproduction, adaptation or other use or disclosure whatsoever, in totality or in part, and in any form or by any means whatsoever, strictly forbidden and requires the prior written approval of INNOVA. All data is the exclusive property of 9105-0732 QUEBEC INC. and under exclusive license to INNOVA and cannot be used nor disclosed in any way either without the prior written approval of INNOVA».</small>				
WEIGHT:	TITLE:			
8.6 Lb	Long adjustable T-bar leg for pole Hoist			
3.9 Kg				
COLOR:	Material:	SHEET(S):	PROJET:	Rev.
Yellow XTIRPA	Aluminum	3 / 4	IN-2256	01

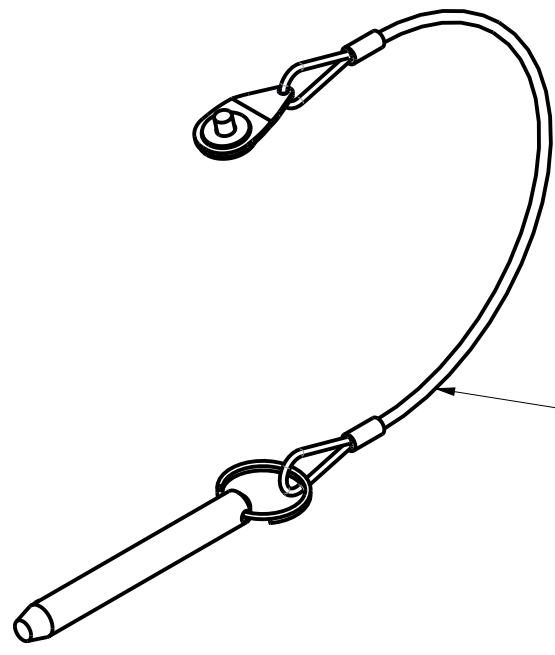
Product number: IN-2256



A2127-08
1x



A2127-07
2X



PAT.NO.:				
PRODUITS DE SERVICE PUBLICS INNOVA INC. INNOVA PUBLIC UTILITY PRODUCTS INC.				
<small>© 9105-0732 QUEBEC INC. and under exclusive license to INNOVA PUBLIC UTILITY PRODUCTS INC., (hereafter « INNOVA »). All rights reserved. Protected under the Copyright Act of Canada and international treaties and agreements regarding copyrights. Violators are subject to prosecution and other legal recourses for infringement. Any reproduction, adaptation or other use or disclosure whatsoever, in totality or in part, and in any form or by any means whatsoever, strictly forbidden and requires the prior written approval of INNOVA. All data is the exclusive property of 9105-0732 QUEBEC INC. and under exclusive license to INNOVA and cannot be used nor disclosed in any way either without the prior written approval of INNOVA».</small>				
WEIGHT:	TITLE:			
8.6 Lb	Long adjustable T-bar leg			
3.9 Kg	for pole Hoist			
COLOR:	Material:	SHEET(S):	PROJET:	Rev.
Yellow XTIRPA	Aluminum	4 / 4	IN-2256	01