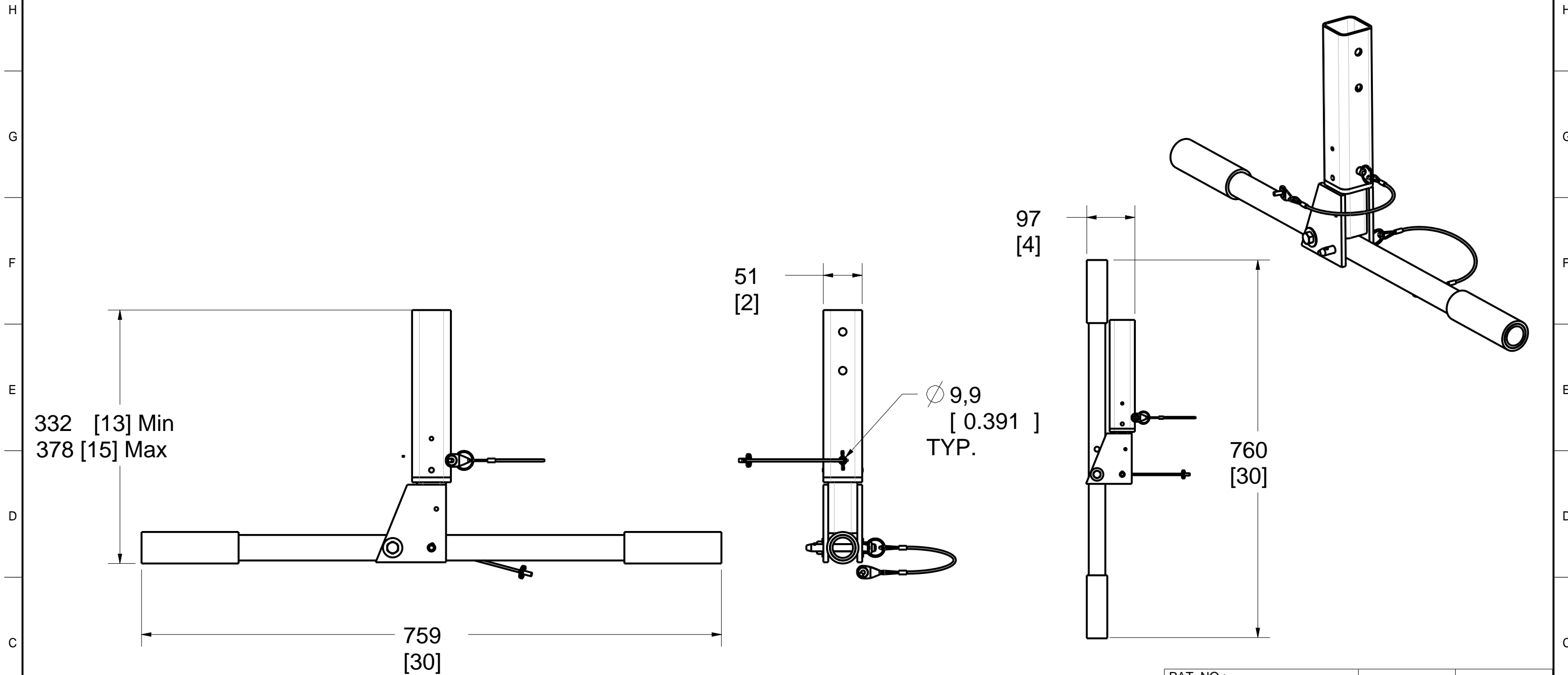
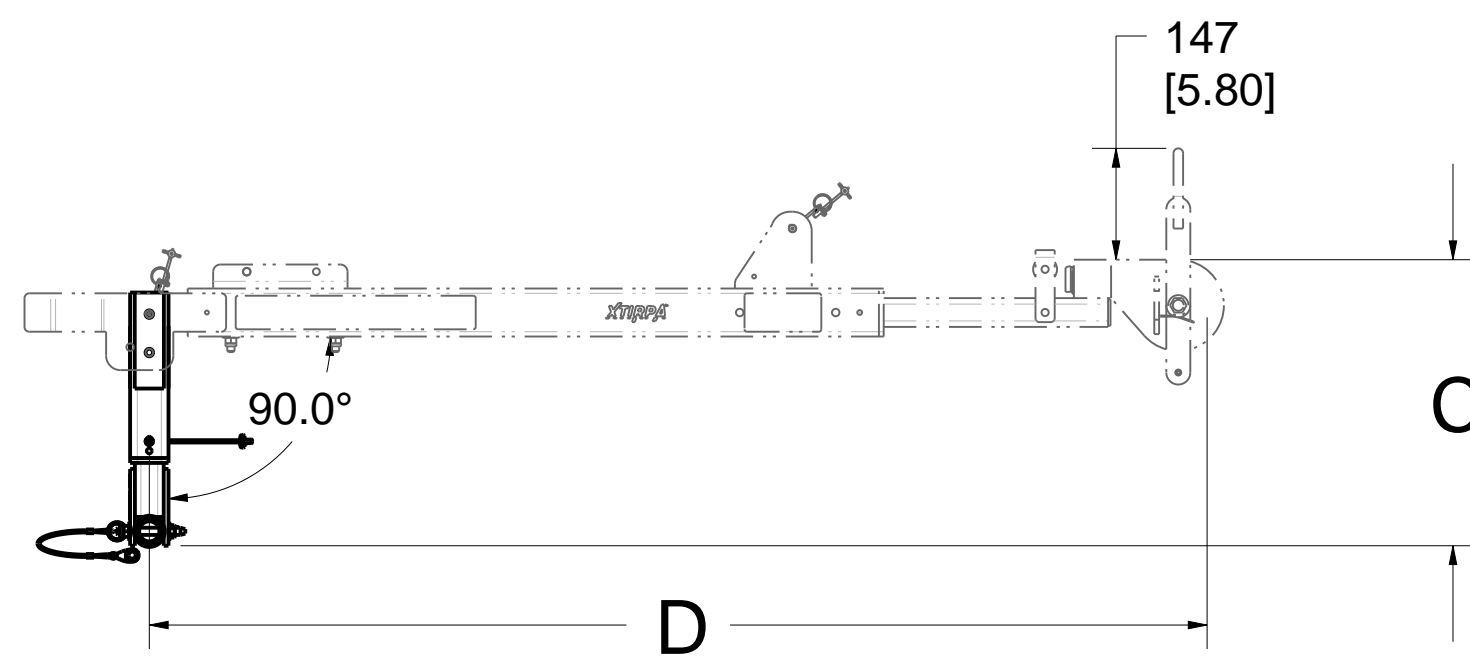
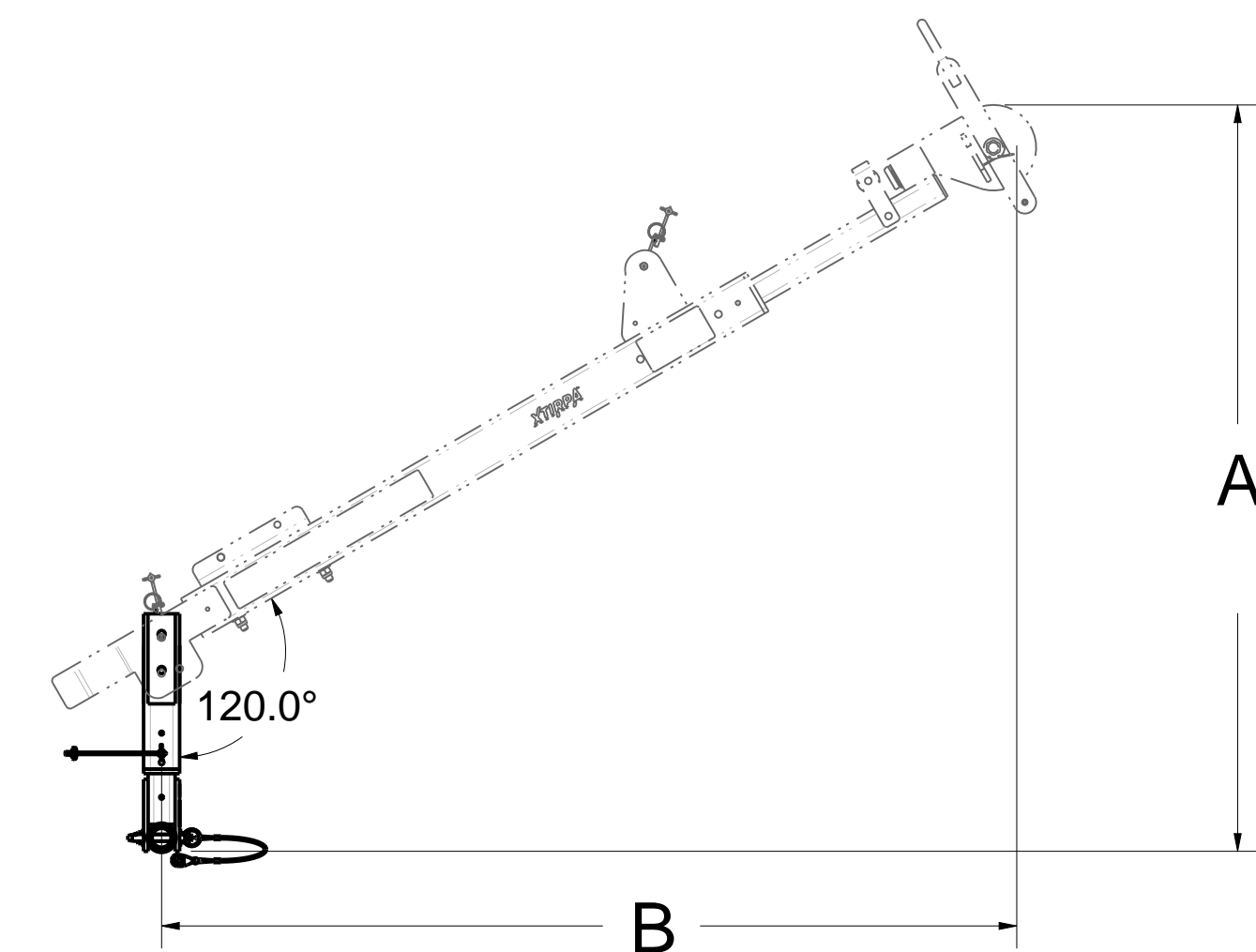


Product number: IN-2274



PAT. NO.:		©01/06/2011 ©	
PRODUITS DE SERVICE PUBLICS INNOVA INC. INNOVA PUBLIC UTILITY PRODUCTS INC.			
© 9105-0732 QUEBEC INC. and under exclusive license to INNOVA PUBLIC UTILITY PRODUCTS INC., (hereafter « INNOVA »). All rights reserved. Protected under the Copyright Act of Canada and international treaties and agreements regarding copyrights. Violators are subject to prosecution and other legal recourses for infringement. Any reproduction, adaptation or other use or disclosure whatsoever, in totality or in part, and in any form or by any means whatsoever, strictly forbidden and requires the prior written approval of INNOVA. All data is the exclusive property of 9105-0732 QUEBEC INC. and under exclusive license to INNOVA and cannot be used nor disclosed in any way either without the prior written approval of INNOVA.			
WEIGHT:	TITLE:		
5 Lb	Short adjustable T-bar leg for pole hoist		
2 Kg			
COLOR:	MATERIAL:	SHEET(S):	PROJECT:
Yellow security	Aluminum	1 / 4	IN-2274

Product number: IN-2274



		IN-2337	IN-2338
A	Min	1057 [41.63]	1202 [47.33]
	Max	1327 [52.26]	1662 [65.43]
B	Min	1201 [47.27]	1452 [57.18]
	Max	1586 [62.42]	2243 [88.30]
C	Min	378 [14.90]	378 [14.90]
	Max	426 [16.77]	426 [16.77]
D	Min	1393 [54.84]	1674 [65.91]
	Max	1838 [72.34]	2588 [101.91]

PAT. NO.:		©01/06/2011	©
PRODUITS DE SERVICE PUBLICS INNOVA INC. INNOVA PUBLIC UTILITY PRODUCTS INC.			
<small>© 9105-0732 QUEBEC INC. and under exclusive license to INNOVA PUBLIC UTILITY PRODUCTS INC., (hereafter « INNOVA »). All rights reserved. Protected under the Copyright Act of Canada and international treaties and agreements regarding copyrights. Violators are subject to prosecution and other legal recourses for infringement. Any reproduction, adaptation or other use or disclosure whatsoever, in totality or in part, and in any form or by any means whatsoever, strictly forbidden and requires the prior written approval of INNOVA. All data is the exclusive property of 9105-0732 QUEBEC INC. and under exclusive license to INNOVA and cannot be used nor disclosed in any way either without the prior written approval of INNOVA.</small>			
WEIGHT:	TITLE:		
5 Lb	Short adjustable T-bar		
2 Kg	leg for pole hoist		
COLOR:	MATERIAL:	SHEET(S):	PROJECT:
Yellow security	Aluminum	2 / 4	IN-2274

SPECIFICATIONS

This equipment is considered as part of a personal fall arrest system (PFAS) with a maximum working capacity of 164 Kg (360 lb).

It is only to be used in conjunction with a personal fall arrest system that limits the maximum arrest force (MAF).

When used with IN-2337 and IN-2338.

Maximum Working Capacity (Mass): 164 kg (360 lb).

Maximum design capacity: 16,014 N (3,600 lbf).

STANDARDS

Meets the following standards:

OSHA Personal fall arrest system: 1910.66 App C

ANSI Safety requirements for personal fall arrest system,

Subsystems and components Z359.1 - 2007

CAN/CSA Fall arresters, vertical lifelines, and rails Z259.2.1-98

CE EN 795:2012 Type A

MATERIAL AND CONSTRUCTION

Extension and guide tubes : Aluminum 6061-T6

Hardware : Zinc plated steel and Stainless steel

Guide tube sliders : Black Delrin Acetal

Finish : Yellow security powder paint with metal protection base.

Welding certification: CSA W47.2M

RESTRICTIONS

This product is to be used only with products approved by Innova Public

Utility Products inc. such as:

Pole Hoist : IN-2337 or IN-2338

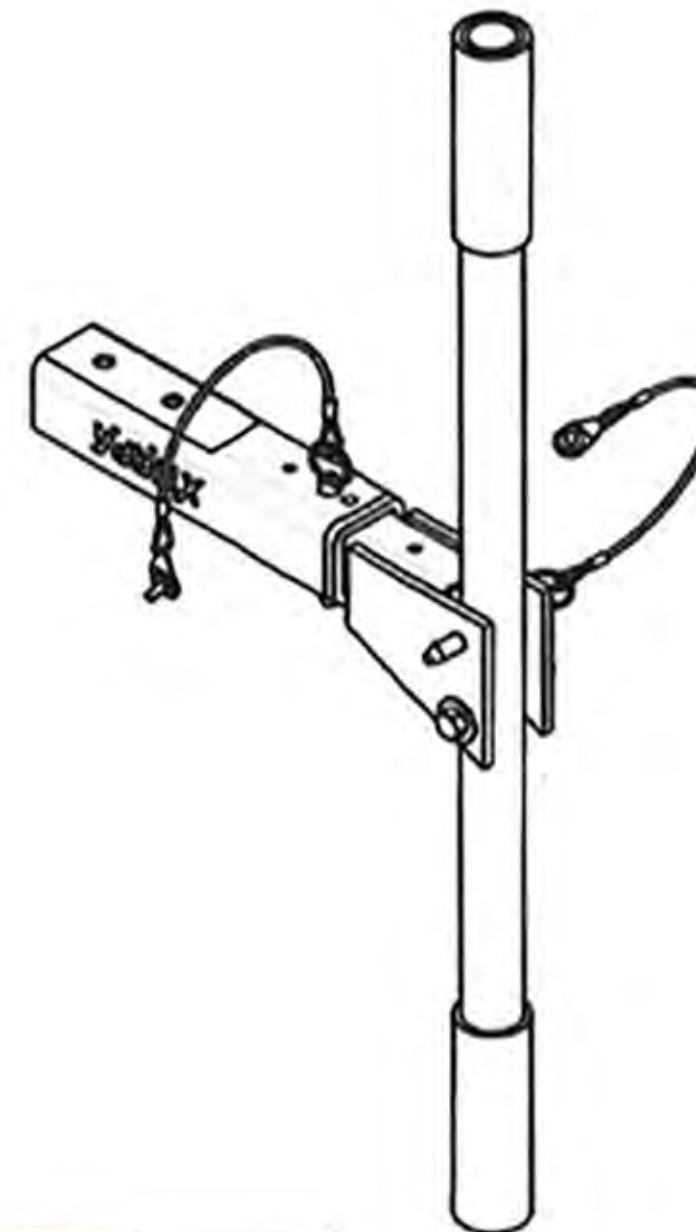
IMPORTANT :

**Periodic inspections of hardware must be done.

In the occurrence of a fall or the safety of the equipment is in doubt, equipment must be immediately removed from service and inspected by qualified personnel before reuse.

**This product must only be used in a vertical position.

Product number: IN-2274



PAT. NO.:		001/06/2011 0	
PRODUITS DE SERVICE PUBLICS INNOVA INC. INNOVA PUBLIC UTILITIES PRODUCTS INC.			
<small> © 2010-2012 INNOVA INC. and under exclusive license to INNOVA PUBLIC UTILITIES PRODUCTS INC. All rights reserved. Protection under the Copyright Act of Canada and international treaties and agreements regarding copyrights, patents and subject to protection and prior right reserved for third parties. Any reproduction, adaptation or other use or distribution, in whole or in part, and in any form or by any means whatsoever, strictly forbidden and requires the prior written approval of INNOVA, and data is the exclusive property of INNOVA INC. and under exclusive license to INNOVA and cannot be used, disclosed or any other without the prior written approval of INNOVA. </small>			
WEIGHT:	TITLE:		
5 lb	Short adjustable T-bar leg for pole hoist		
2 Kg			
COLOR:	MATERIAL:	SHEET/1:	PROJECT:
Yellow security	Aluminium	3 / 4	IN-2274

8

7

6

5

4

3

2

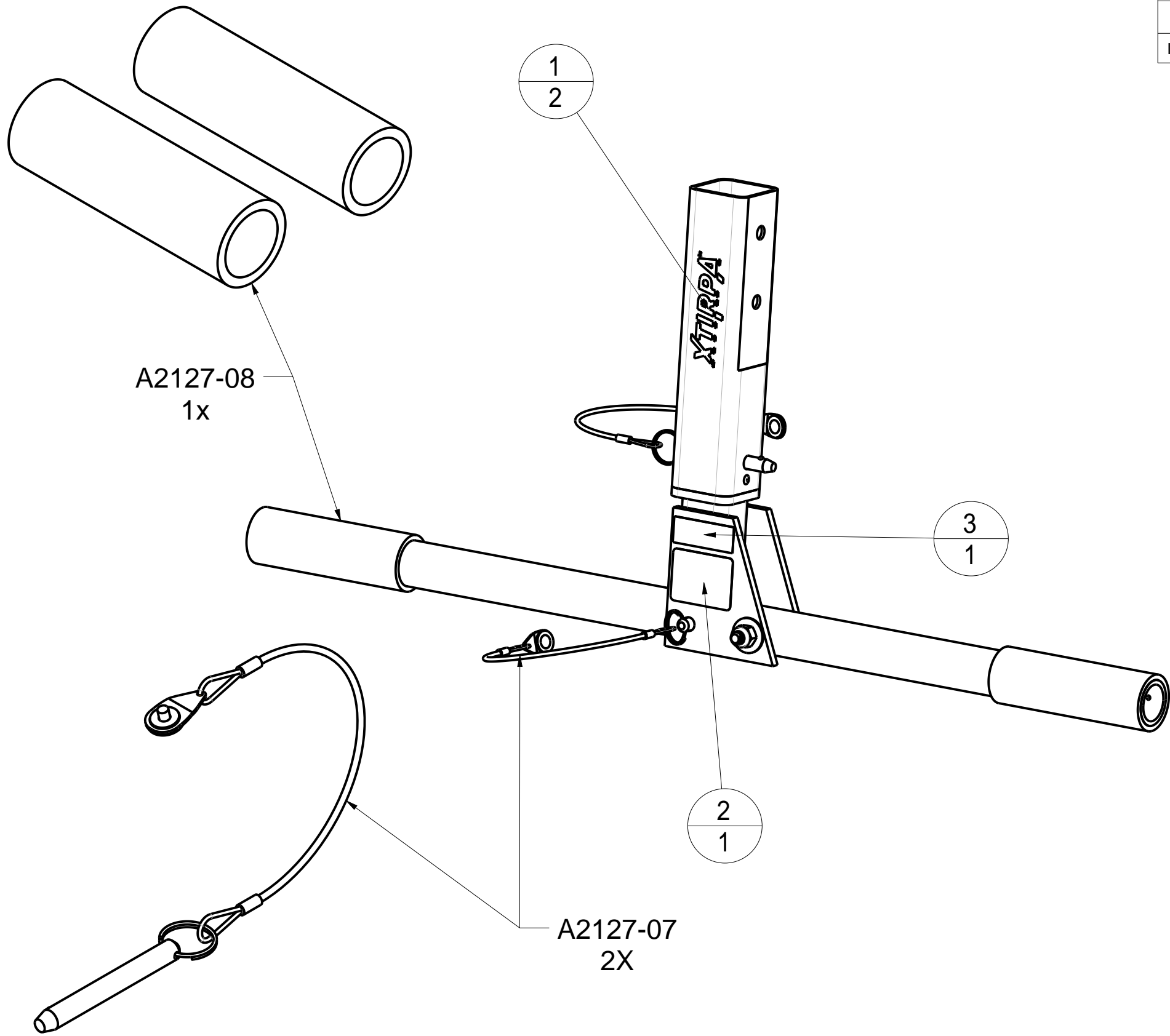
1

Product number: IN-2274

IDX	QTE	COMPONENT	REV	DESCRIPTION	MATERIAL
3	1	S2337-003	RevD	Security Label Type A	
2	1	S2001-005	RevC	Label XTIRPA serial number	
1	2	S2001-003	E	XTIRPA Label	

H
G
F
E
D
C
B
A

H
G
F
E
D
C
B
A



PAT. NO.:		©01/06/2011 ©	
PRODUITS DE SERVICE PUBLICS INNOVA INC. INNOVA PUBLIC UTILITY PRODUCTS INC.			
© 9105-0732 QUEBEC INC. and under exclusive license to INNOVA PUBLIC UTILITY PRODUCTS INC., (hereafter « INNOVA »). All rights reserved. Protected under the Copyright Act of Canada and international treaties and agreements regarding copyrights. Violators are subject to prosecution and other legal recourses for infringement. Any reproduction, adaptation or other use or disclosure whatsoever, in totality or in part, and in any form or by any means whatsoever, strictly forbidden and requires the prior written approval of INNOVA. All data is the exclusive property of 9105-0732 QUEBEC INC. and under exclusive license to INNOVA and cannot be used nor disclosed in any way either without the prior written approval of INNOVA.			
WEIGHT:	TITLE:		
5 Lb	Short adjustable T-bar leg for pole hoist		
2 Kg			
COLOR:	MATERIAL:	SHEET(S):	PROJECT:
Yellow security	Aluminum	4 / 4	IN-2274

8

7

6

5

4

3

2

1