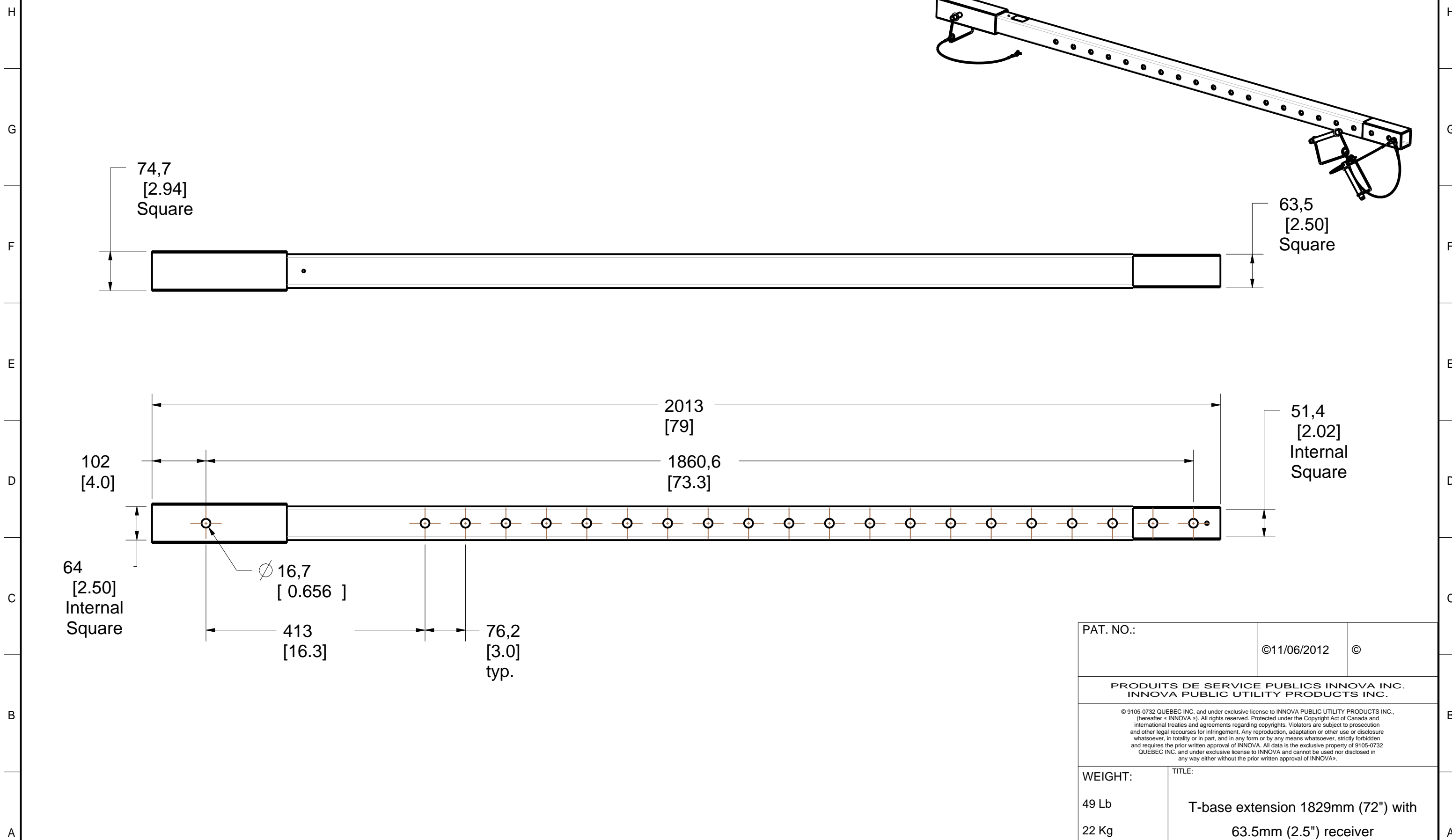
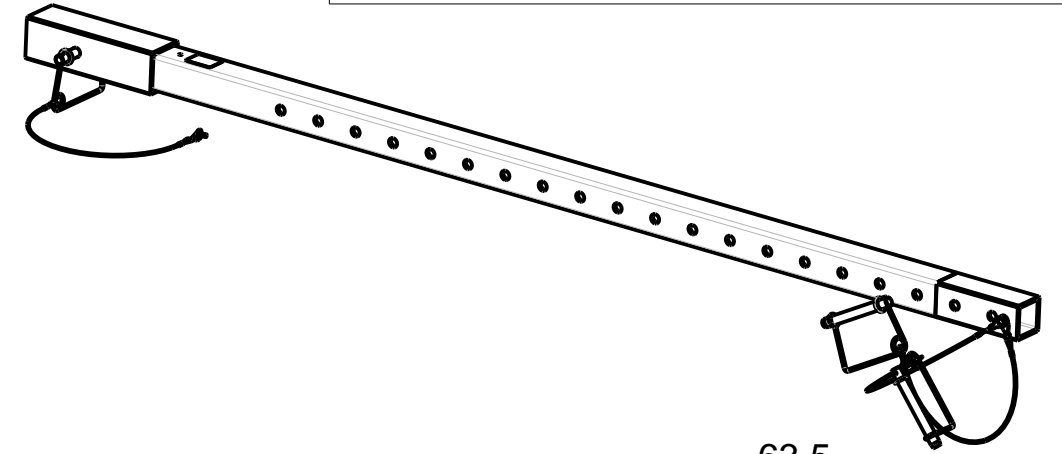


Product number: A2305-16

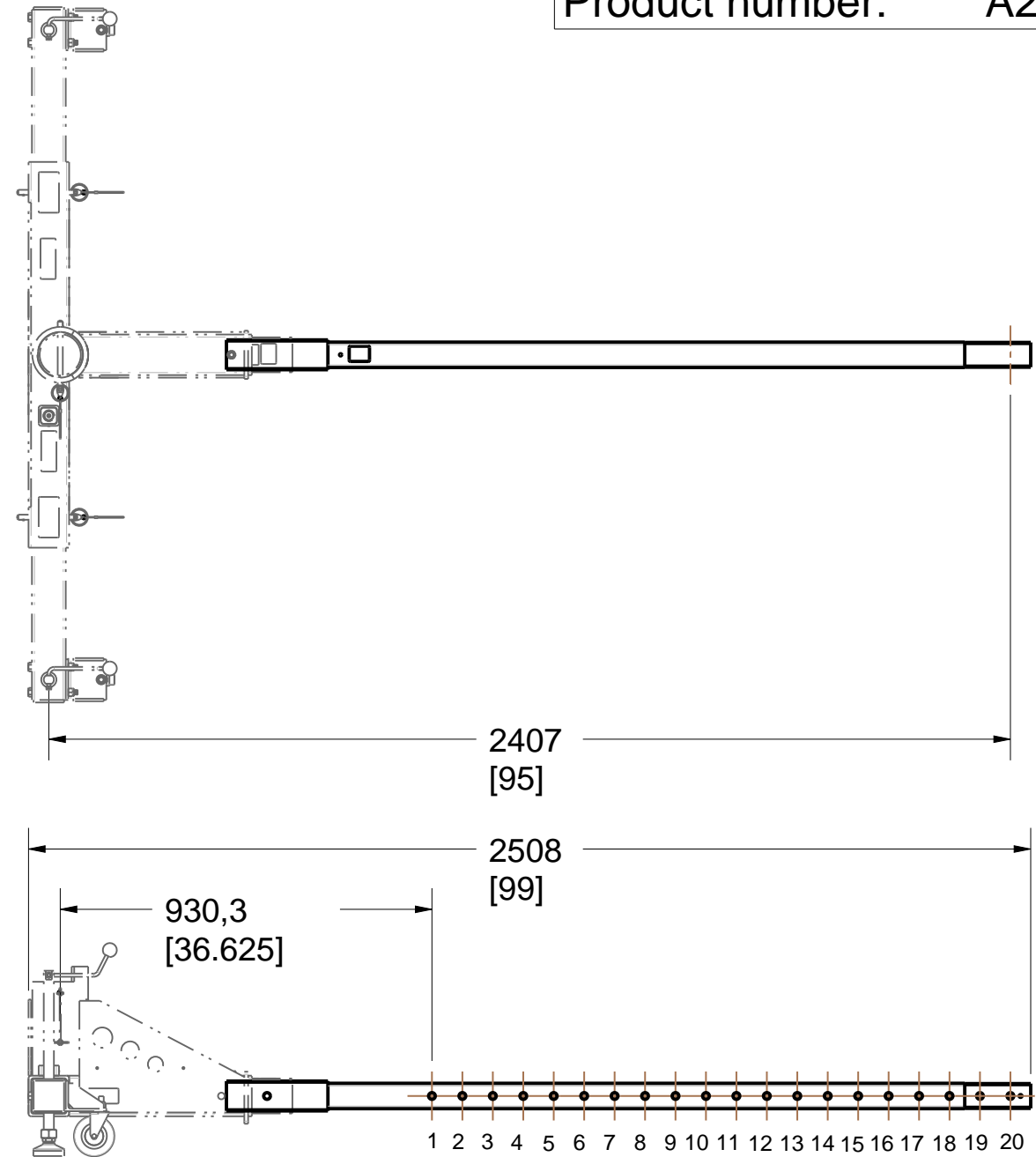


PAT. NO.:		©11/06/2012	©
<b>PRODUITS DE SERVICE PUBLICS INNOVA INC.</b> <b>INNOVA PUBLIC UTILITY PRODUCTS INC.</b>			
© 9105-0732 QUEBEC INC. and under exclusive license to INNOVA PUBLIC UTILITY PRODUCTS INC., (hereafter « INNOVA »). All rights reserved. Protected under the Copyright Act of Canada and international treaties and agreements regarding copyrights. Violators are subject to prosecution and other legal recourses for infringement. Any reproduction, adaptation or other use or disclosure whatsoever, in totality or in part, and in any form or by any means whatsoever, strictly forbidden and requires the prior written approval of INNOVA. All data is the exclusive property of 9105-0732 QUEBEC INC. and under exclusive license to INNOVA and cannot be used nor disclosed in any way either without the prior written approval of INNOVA.			
WEIGHT:	TITLE:		
49 Lb	<b>T-base extension 1829mm (72") with 63.5mm (2.5") receiver</b>		
22 Kg			
COLOR:	MATERIAL:	SHEET(S):	PROJECT:
Zinc Plated	Steel	1 / 4	A2305-16

### A2305-16 T-Base extension capacity per position

Position	Load Req (lb)	Load Req (Kg)
1	4718	2145
2	4361	1982
3	4054	1843
4	3787	1722
5	3554	1615
6	3347	1521
7	3163	1438
8	2999	1363
9	2850	1296
10	2716	1235
11	2594	1179
12	2482	1128
13	2379	1082
14	2285	1039
15	2198	999
16	2117	962
17	2042	928
18	1972	896
19	1907	867
20	1846	839

**NOTE:**  
When attached to a vehicle,  
the load on the axle must meet  
or exceed these required loads.



PAT. NO.:		©11/06/2012	©
<b>PRODUITS DE SERVICE PUBLICS INNOVA INC.</b> <b>INNOVA PUBLIC UTILITY PRODUCTS INC.</b>			
© 9105-0732 QUEBEC INC. and under exclusive license to INNOVA PUBLIC UTILITY PRODUCTS INC., (hereafter « INNOVA »). All rights reserved. Protected under the Copyright Act of Canada and international treaties and agreements regarding copyrights. Violators are subject to prosecution and other legal recourses for infringement. Any reproduction, adaptation or other use or disclosure whatsoever, in totality or in part, and in any form or by any means whatsoever, strictly forbidden and requires the prior written approval of INNOVA. All data is the exclusive property of 9105-0732 QUEBEC INC. and under exclusive license to INNOVA and cannot be used nor disclosed in any way either without the prior written approval of INNOVA.			
WEIGHT:	TITLE:		
73 Lb	<b>T-base extension 1829mm (72") with 63.5mm (2.5") receiver</b>		
33 Kg			
COLOR:	MATERIAL:	SHEET(S):	PROJECT:
Zinc Plated	Steel	2 / 4	A2305-16

**SPECIFICATIONS**

This equipment is considered as part of a personal fall arrest system (PFAS) with a maximum working.

It is only to be used in conjunction with a personal fall arrest system that limits the maximum arrest force (MAF).

Working load limit (WLL): 2,037N (458 lbf)  
 Max design capacity: 20,360 N (4,577 lbf)

Working moment limit : 1,952 N m (17,280 lbf in)  
 Max design working moment : 19,524 N m (172,800 lbf in)

Note: The structure must meet the maximum design capacity.

**STANDARDS**

Meets the following standards:  
 OSHA Personal fall arrest system - 1910.66 App C  
 ANSI Safety requirements for personal fall arrest system, subsystems and components Z359.1 ( R1999 ) / 2007  
 CAN/CSA Fall arresters, vertical lifelines, and rails Z259.2.1-98  
 CE EN 795: 2012 Type B

**MATERIAL AND CONSTRUCTION**

Tubes: HSS Steel A500  
 Pin: Steel zinc plated  
 Lanyard : Nylon covered Stainless Steel Cable  
 Finish : Clear Zinc plated, ASTM B-633-II, Type V, SC3.  
 Welding Certification : CSA W59 & W47.1.

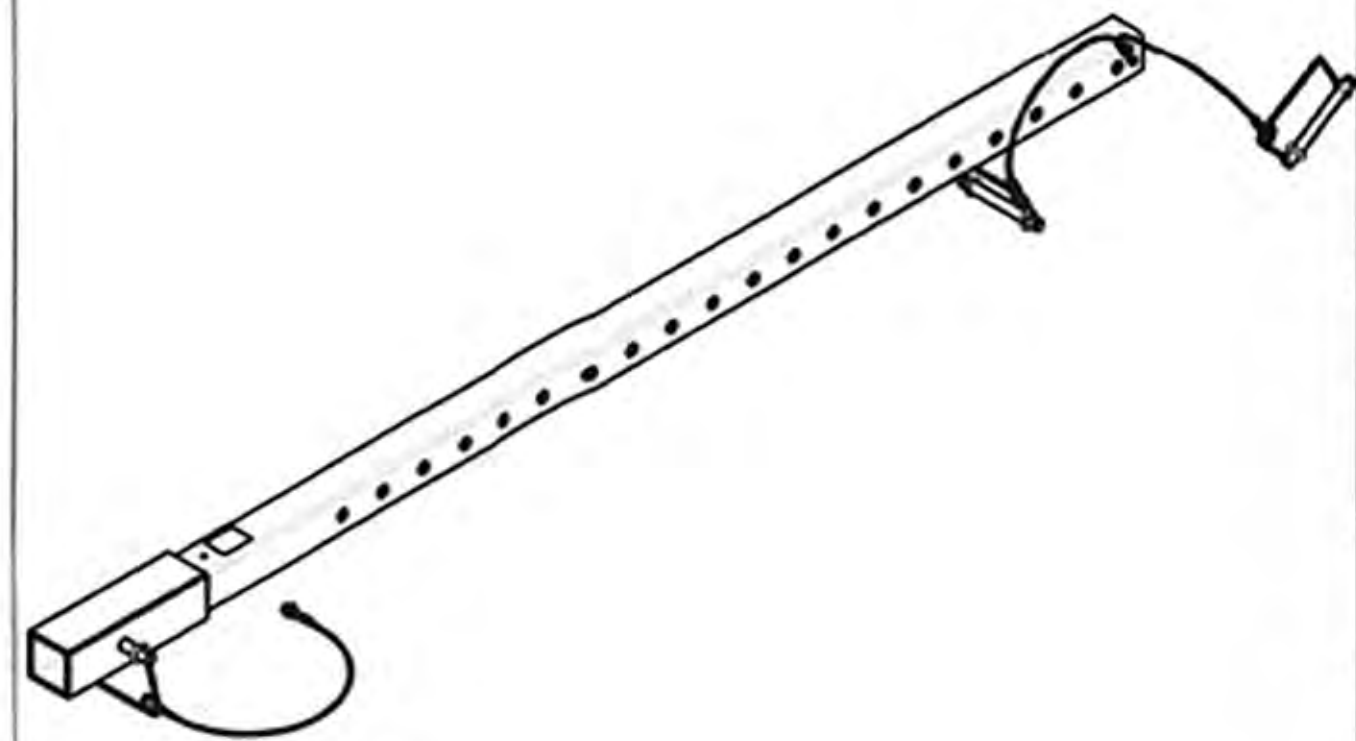
**RESTRICTIONS**

This product is to be used only with products approved by Innova Public Utility Products inc.

••The positioning pins must always be in place when manoeuvring personnel. Otherwise, serious injuries may occur.

Periodic inspections of hardware must be done. In the occurrence of a fall or the safety of the equipment is in doubt, equipment must be immediately removed from service and inspected by qualified personnel before reuse.

Product number: A2305-16



PAT. NO.:		011/06/2012	0
PRODUCTS DE SERVICE PUBLICS INNOVA INC. INNOVA PUBLIC UTILITY PRODUCTS INC.			
<small>© 2005-2012 INNOVA INC. and under exclusive license to INNOVA PUBLIC UTILITY PRODUCTS INC. Illustration is INNOVA's. All rights reserved. Protected under the Copyright Act of Canada and international treaties and agreements regarding copyrights. Violations are subject to prosecution and other legal remedies for infringement. Any reproduction, adaptation or other use of disclosure whatsoever, in totality or in part, and in any form or by any means whatsoever, strictly forbidden and requires the prior written approval of INNOVA. All data is the exclusive property of INNOVA-2012 INNOVA INC. and under exclusive license to INNOVA and cannot be used nor disclosed in any way either without the prior written approval of INNOVA.</small>			
WEIGHT:	TITLE:		
49 Lb 22 Kg	T-base extension 1829mm (72") with 63.5mm (2.5") receiver		
COLOR:	MATERIAL:	SHEET(S):	PROJECT:
Zinc Plated	Steel	3 / 4	A2305-16

8

7

6

5

4

3

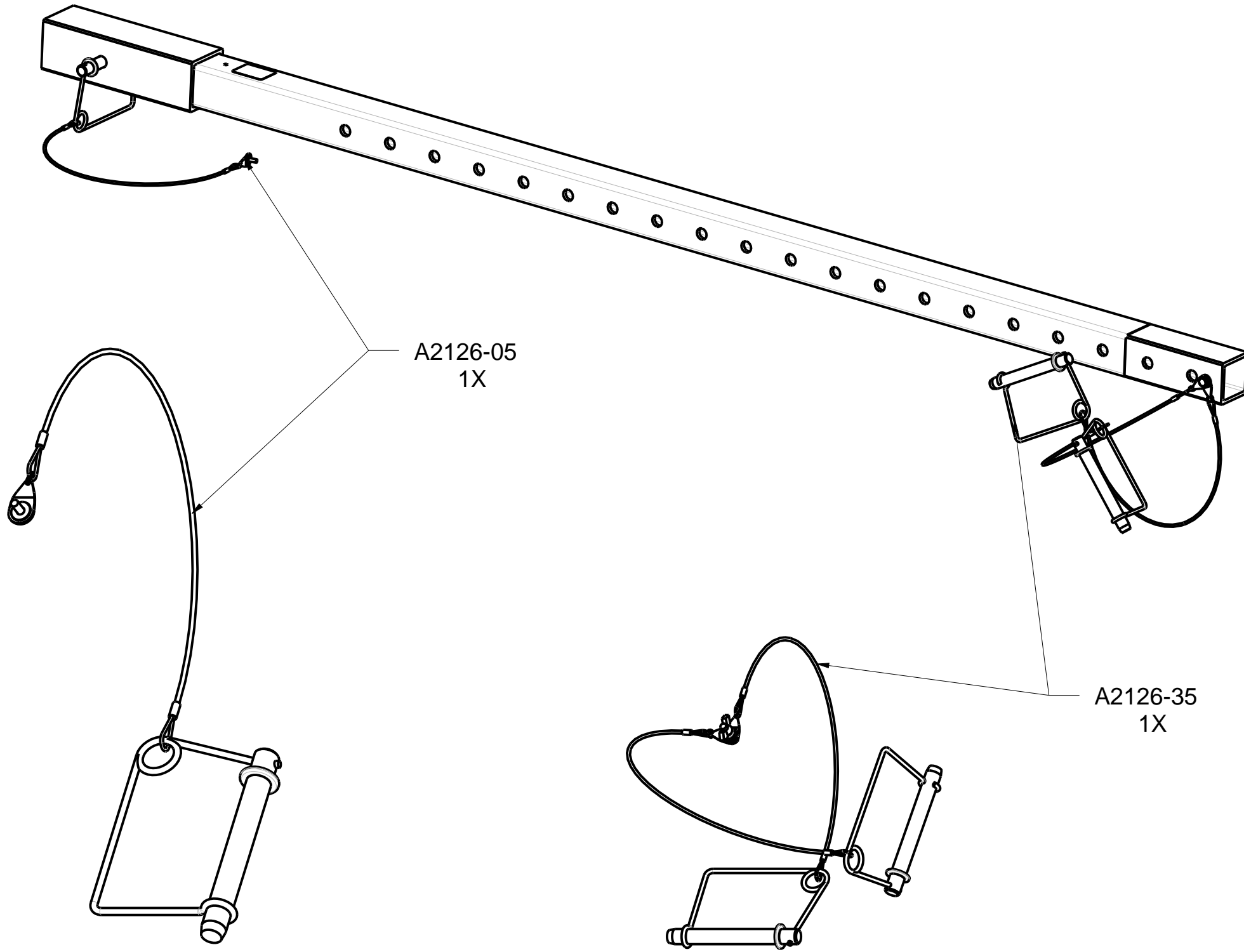
2

1

Product number: A2305-16

H  
G  
F  
E  
D  
C  
B  
A

H  
G  
F  
E  
D  
C  
B  
A



A2126-05  
1X

A2126-35  
1X

PAT. NO.:		©11/06/2012	©
<b>PRODUITS DE SERVICE PUBLICS INNOVA INC.</b> <b>INNOVA PUBLIC UTILITY PRODUCTS INC.</b>			
© 9105-0732 QUEBEC INC. and under exclusive license to INNOVA PUBLIC UTILITY PRODUCTS INC., (hereafter « INNOVA »). All rights reserved. Protected under the Copyright Act of Canada and international treaties and agreements regarding copyrights. Violators are subject to prosecution and other legal recourses for infringement. Any reproduction, adaptation or other use or disclosure whatsoever, in totality or in part, and in any form or by any means whatsoever, strictly forbidden and requires the prior written approval of INNOVA. All data is the exclusive property of 9105-0732 QUEBEC INC. and under exclusive license to INNOVA and cannot be used nor disclosed in any way either without the prior written approval of INNOVA.			
WEIGHT:	TITLE:		
49 Lb	<b>T-base extension 1829mm (72") with 63.5mm (2.5") receiver</b>		
22 Kg			
COLOR:	MATERIAL:	SHEET(S):	PROJECT:
Zinc Plated	Steel	4 / 4	A2305-16

8

7

6

5

4

3

2

1