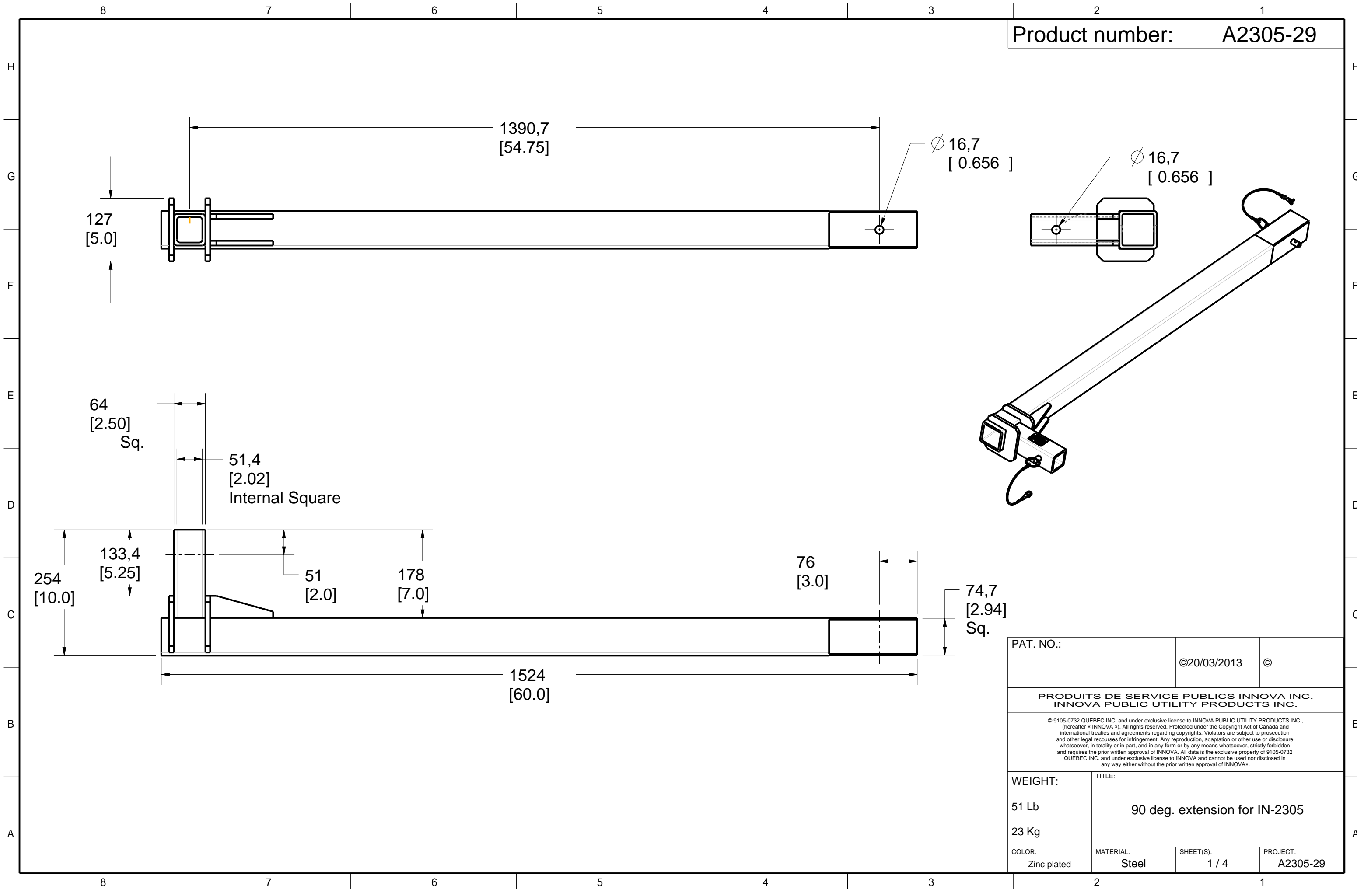
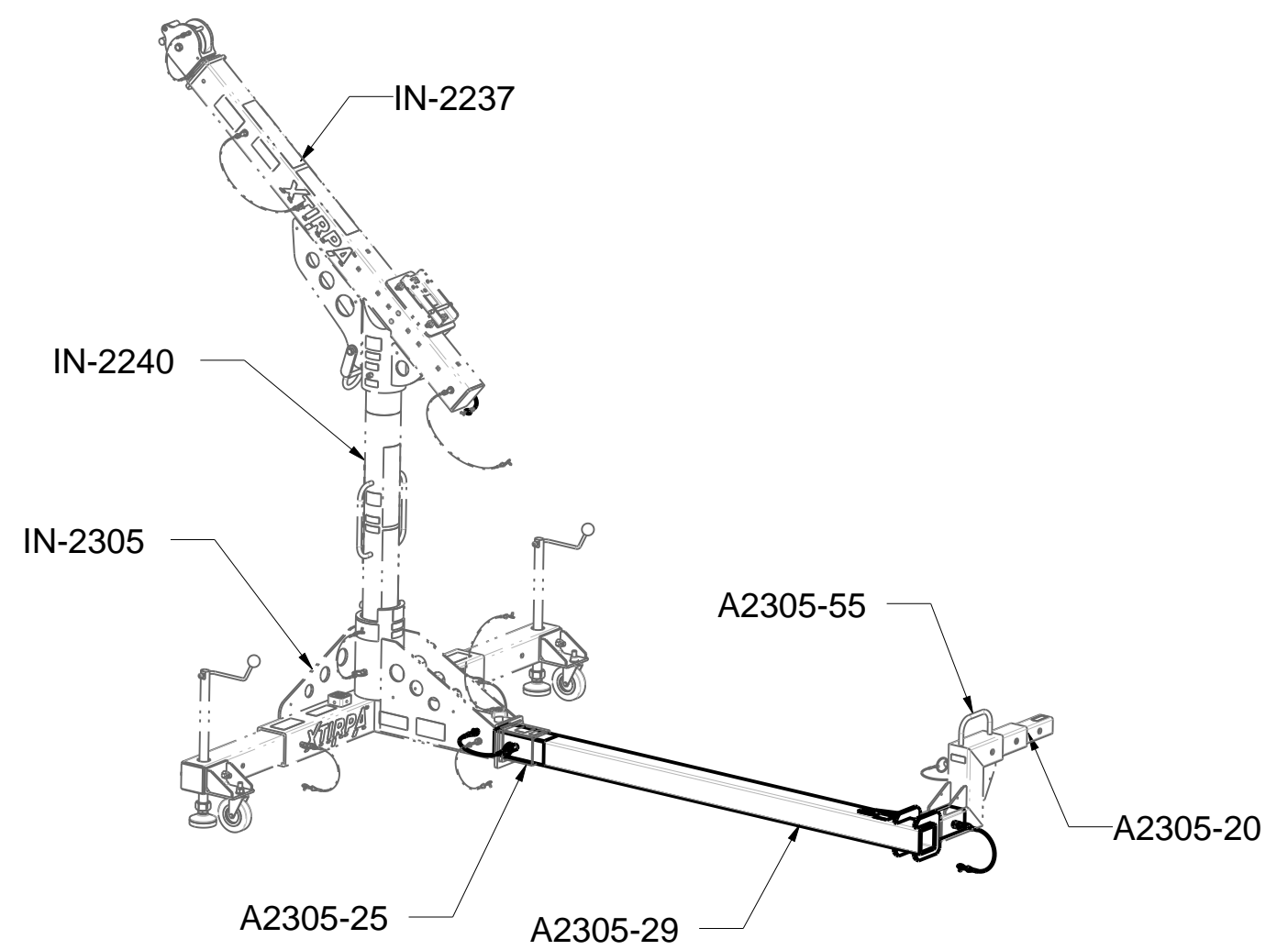
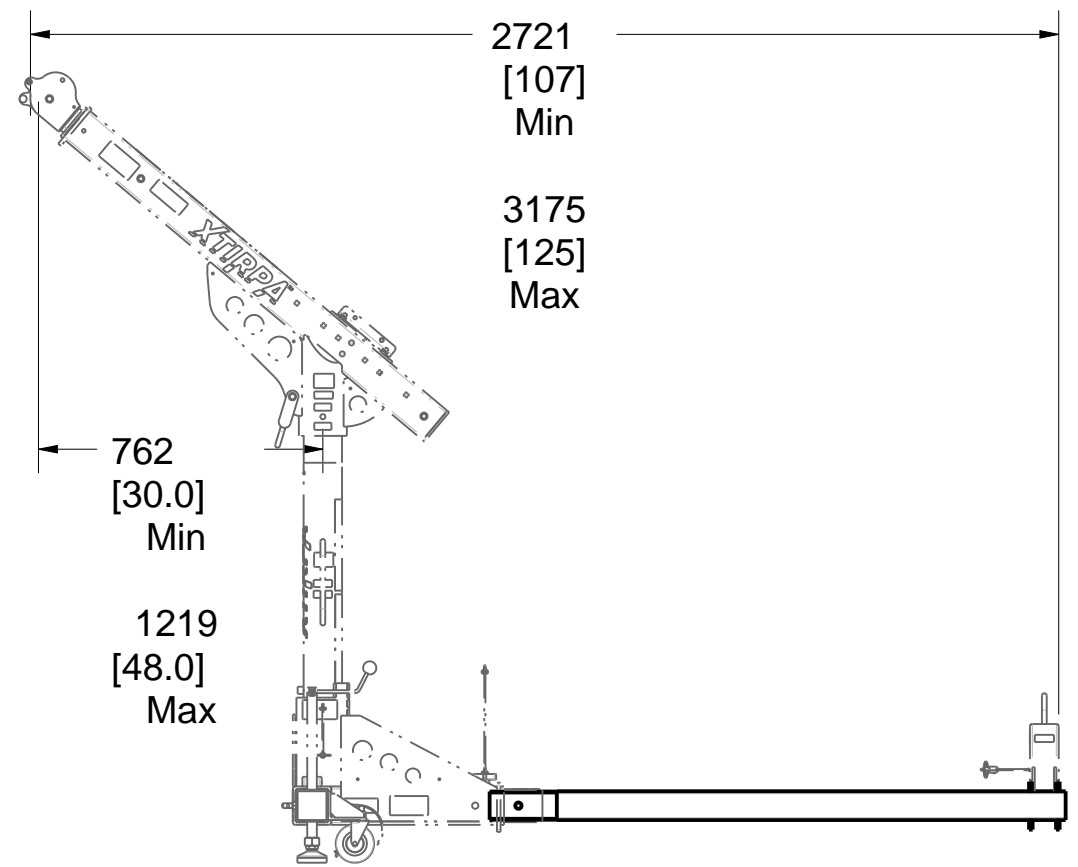
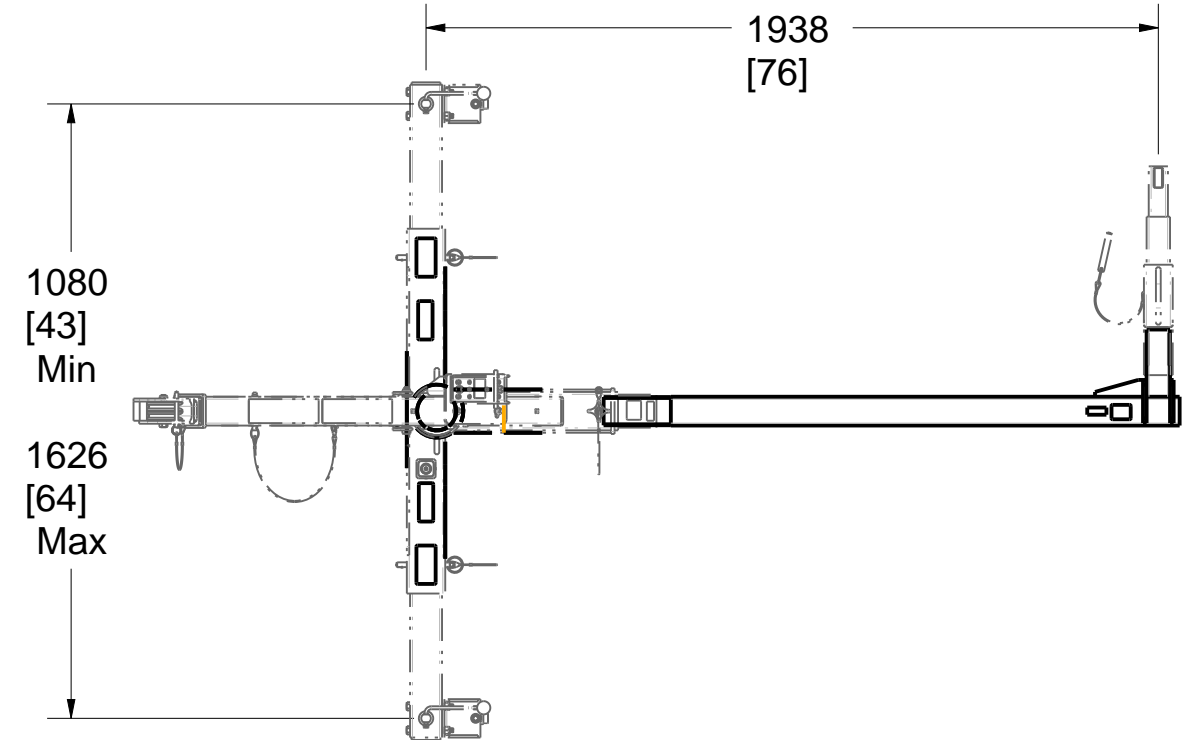
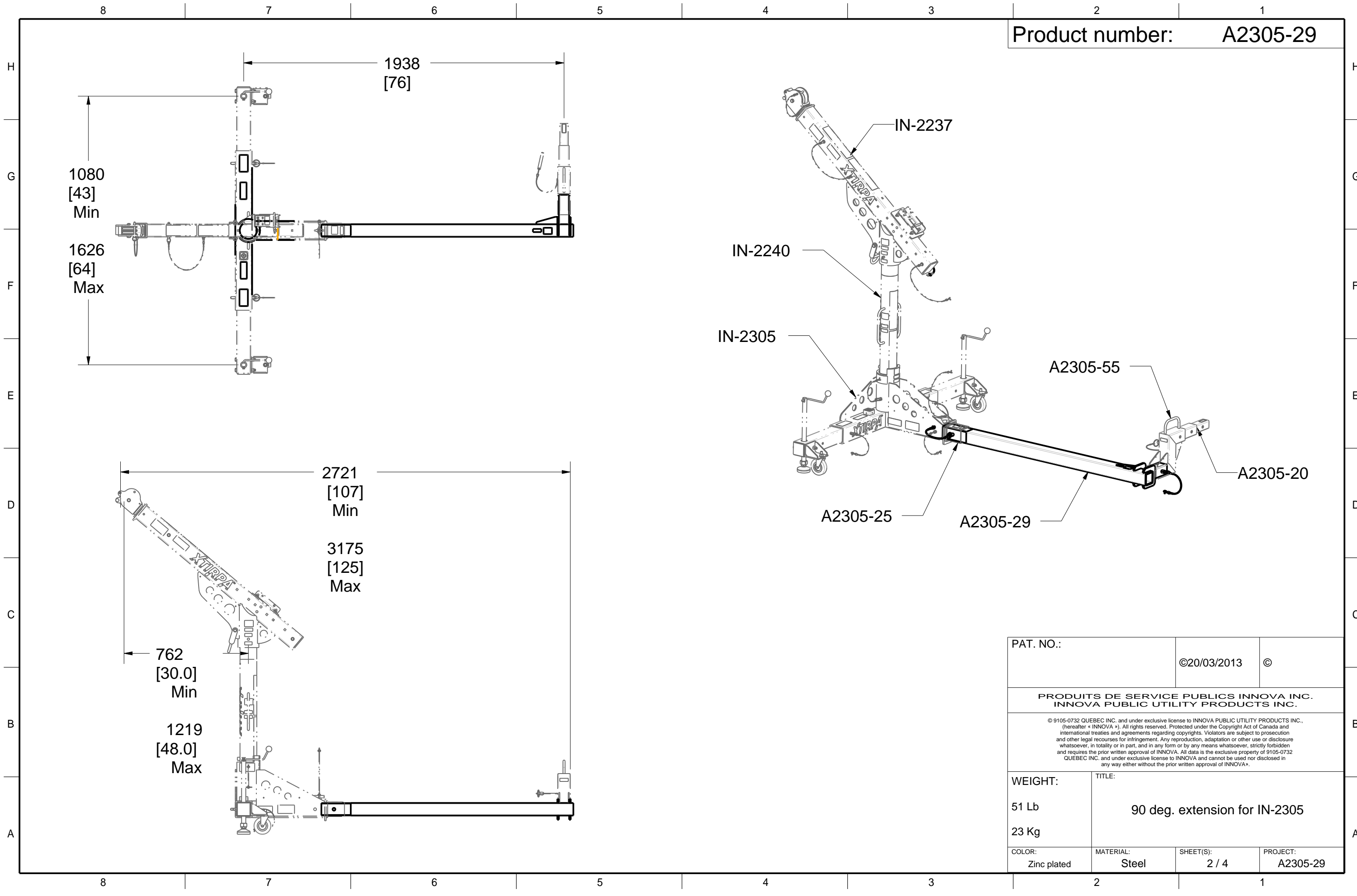


Product number: **A2305-29**



PAT. NO.:		©20/03/2013	©
<b>PRODUITS DE SERVICE PUBLICS INNOVA INC.</b> <b>INNOVA PUBLIC UTILITY PRODUCTS INC.</b>			
<small>© 9105-0732 QUEBEC INC. and under exclusive license to INNOVA PUBLIC UTILITY PRODUCTS INC., (hereafter « INNOVA »). All rights reserved. Protected under the Copyright Act of Canada and international treaties and agreements regarding copyrights. Violators are subject to prosecution and other legal recourses for infringement. Any reproduction, adaptation or other use or disclosure whatsoever, in totality or in part, and in any form or by any means whatsoever, strictly forbidden and requires the prior written approval of INNOVA. All data is the exclusive property of 9105-0732 QUEBEC INC. and under exclusive license to INNOVA and cannot be used nor disclosed in any way either without the prior written approval of INNOVA.</small>			
WEIGHT:	TITLE:		
51 Lb	90 deg. extension for IN-2305		
23 Kg			
COLOR:	MATERIAL:	SHEET(S):	PROJECT:
Zinc plated	Steel	1 / 4	A2305-29



PAT. NO.:		©20/03/2013	©
<b>PRODUITS DE SERVICE PUBLICS INNOVA INC.</b> <b>INNOVA PUBLIC UTILITY PRODUCTS INC.</b>			
<small>© 9105-0732 QUEBEC INC. and under exclusive license to INNOVA PUBLIC UTILITY PRODUCTS INC. (hereafter « INNOVA »). All rights reserved. Protected under the Copyright Act of Canada and international treaties and agreements regarding copyrights. Violators are subject to prosecution and other legal recourses for infringement. Any reproduction, adaptation or other use or disclosure whatsoever, in totality or in part, and in any form or by any means whatsoever, strictly forbidden and requires the prior written approval of INNOVA. All data is the exclusive property of 9105-0732 QUEBEC INC. and under exclusive license to INNOVA and cannot be used nor disclosed in any way either without the prior written approval of INNOVA.</small>			
WEIGHT:	TITLE:		
51 Lb	90 deg. extension for IN-2305		
23 Kg			
COLOR:	MATERIAL:	SHEET(S):	PROJECT:
Zinc plated	Steel	2 / 4	A2305-29

SPECIFICATIONS

This equipment is considered as part of a personal fall arrest system (PFAS) with a maximum working capacity.

It is only to be used in conjunction with a personal fall arrest system that limits the maximum arrest force (MAF).

Working load limit (WLL): 1,010 N (227 lbf)  
 Max design capacity: 10,080 N (2,266 lbf)

Working moment limit : 1,952 N m (17,280 lbf in)  
 Max design working moment : 19,524 N m (172,800 lbf in)

Note: The structure must meet the maximum design capacity.

STANDARDS

Meets the following standards:

- OSHA Personal fall arrest system - 1910.66 App C
- ANSI Safety requirements for personal fall arrest system, subsystems and components Z359.1 ( R1999 ) / 2007
- CAN/CSA Fall arresters, vertical lifelines, and rails Z259.2.1-98
- CE EN 795: 2012 Type B

MATERIAL AND CONSTRUCTION

- Tubes: HSS Steel A500
- Pin: Stainless Steel
- Lanyard : Nylon covered Stainless Steel Cable
- Finish : Clear Zinc plated, ASTM B-633-II, Type V, SC3
- Welding Certification : CSA W59 & W47.1.

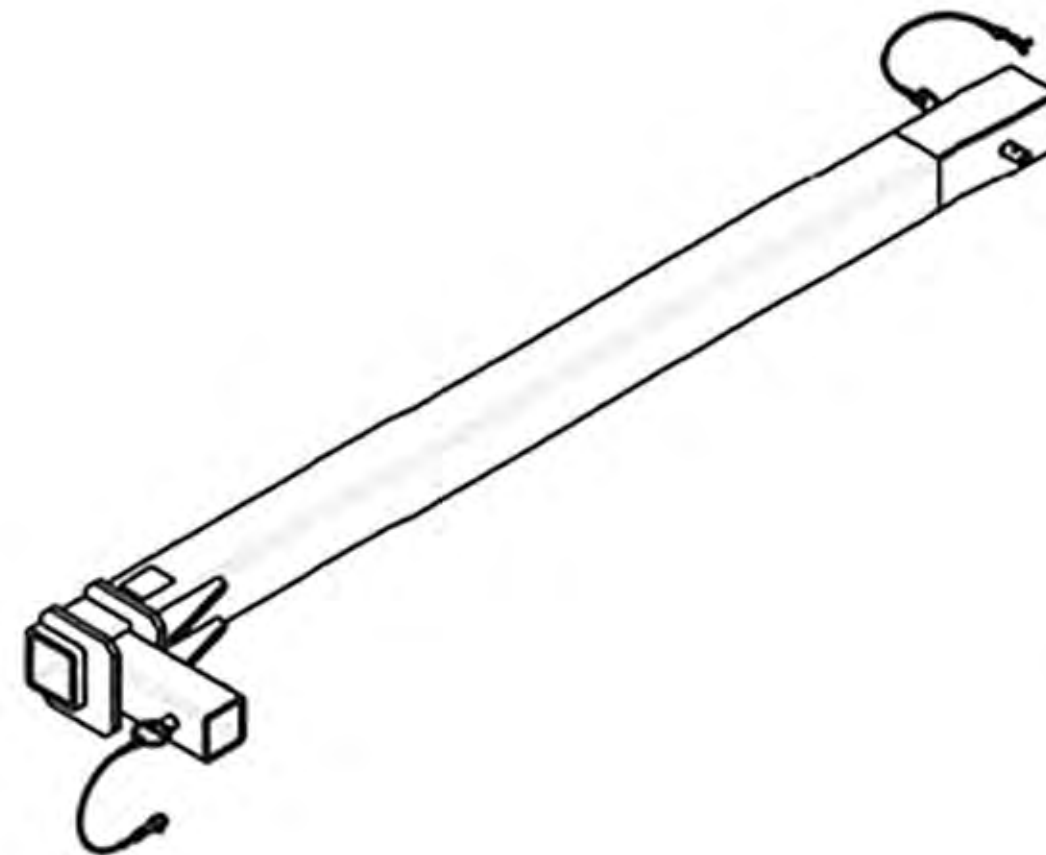
RESTRICTIONS

This product is to be used only with products approved by Innova Public Utility Products inc.

••The positioning pins must always be in place when manoeuvring personnel. Otherwise, serious injuries may occur.

Periodic inspections of hardware must be done. In the occurrence of a fall or the safety of the equipment is in doubt, equipment must be immediately removed from service and inspected by qualified personnel before reuse.

Product number: A2305-29



PAT. NO.:		020/03/2013 0	
PRODUITS DE SERVICE PUBLICS INNOVA INC. INNOVA PUBLIC UTILITY PRODUCTS INC.			
<small>© 2013-2014 INNOVA INC. and under exclusive license to INNOVA PUBLIC UTILITY PRODUCTS INC. All rights reserved. Protected under the Copyright Act of Canada and International treaties and agreements regarding copyrights. Reproduction and distribution of this document and other legal resources for sale, rental, or otherwise, in any form or by any means whatsoever, strictly prohibited and requires the prior written approval of INNOVA. All data is the exclusive property of INNOVA INC. and under exclusive license to INNOVA and cannot be used nor disclosed in any way without the prior written approval of INNOVA.</small>			
WEIGHT:	TITLE:		
51 Lb	90 deg. extension for IN-2305		
23 Kg	MATERIAL:	SHEETS:	PROJECT:
	Zinc plated Steel	3 / 4	A2305-29

8

7

6

5

4

3

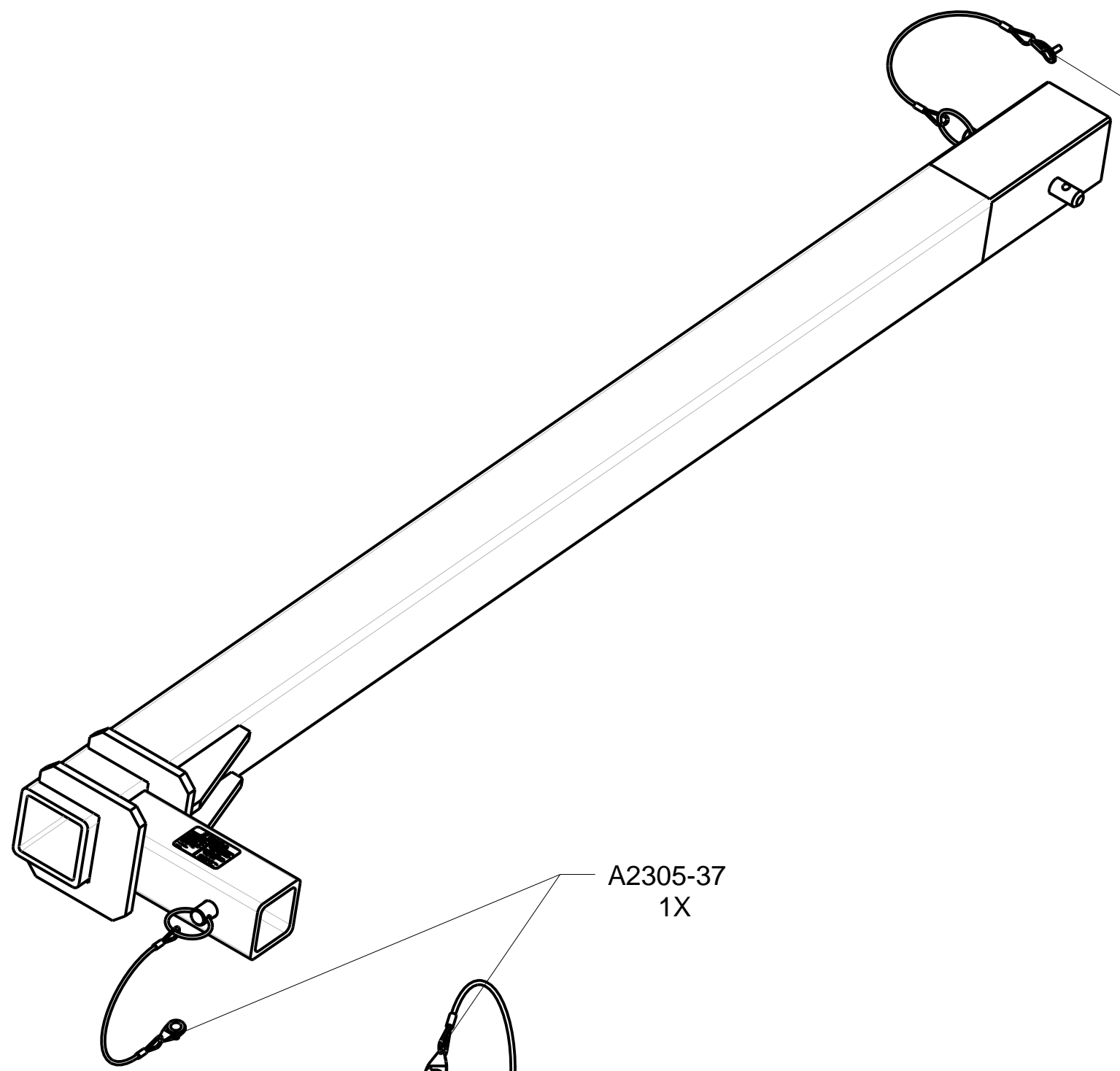
2

1

Product number: A2305-29

H  
G  
F  
E  
D  
C  
B  
A

H  
G  
F  
E  
D  
C  
B  
A



A2305-36  
1X



A2305-37  
1X



PAT. NO.:		©20/03/2013	©
<b>PRODUITS DE SERVICE PUBLICS INNOVA INC.</b> <b>INNOVA PUBLIC UTILITY PRODUCTS INC.</b>			
<small>© 9105-0732 QUEBEC INC. and under exclusive license to INNOVA PUBLIC UTILITY PRODUCTS INC., (hereafter « INNOVA »). All rights reserved. Protected under the Copyright Act of Canada and international treaties and agreements regarding copyrights. Violators are subject to prosecution and other legal recourses for infringement. Any reproduction, adaptation or other use or disclosure whatsoever, in totality or in part, and in any form or by any means whatsoever, strictly forbidden and requires the prior written approval of INNOVA. All data is the exclusive property of 9105-0732 QUEBEC INC. and under exclusive license to INNOVA and cannot be used nor disclosed in any way either without the prior written approval of INNOVA.</small>			
WEIGHT:	TITLE:		
51 Lb	90 deg. extension for IN-2305		
23 Kg			
COLOR:	MATERIAL:	SHEET(S):	PROJECT:
Zinc plated	Steel	4 / 4	A2305-29

8

7

6

5

4

3

2

1