

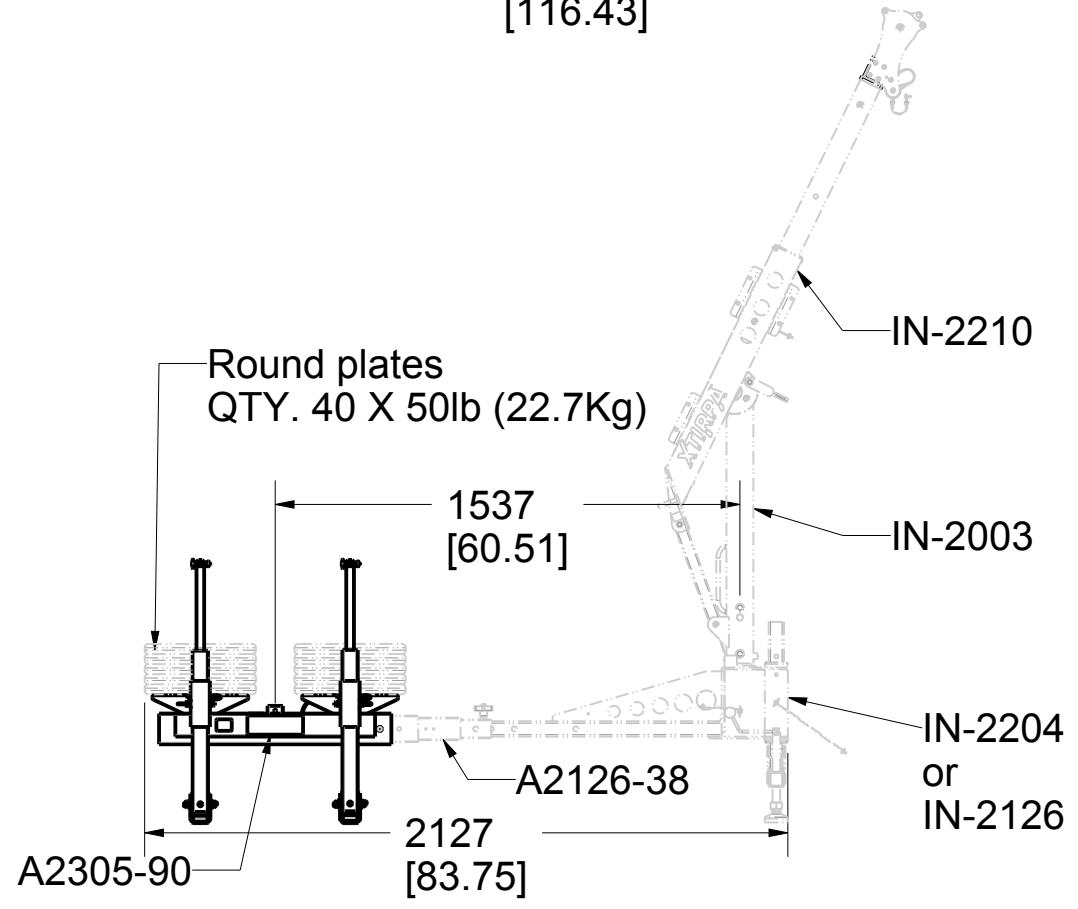
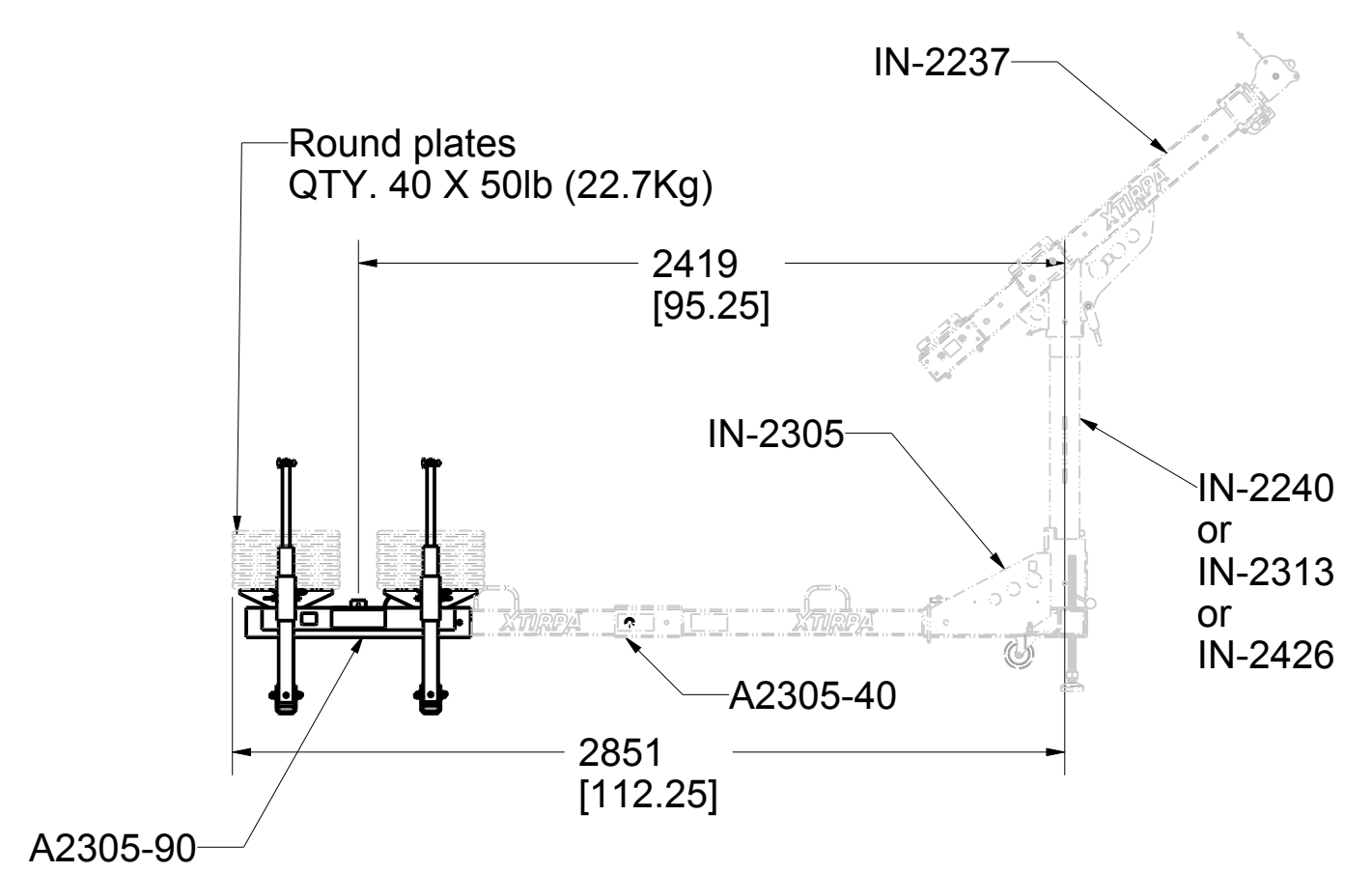
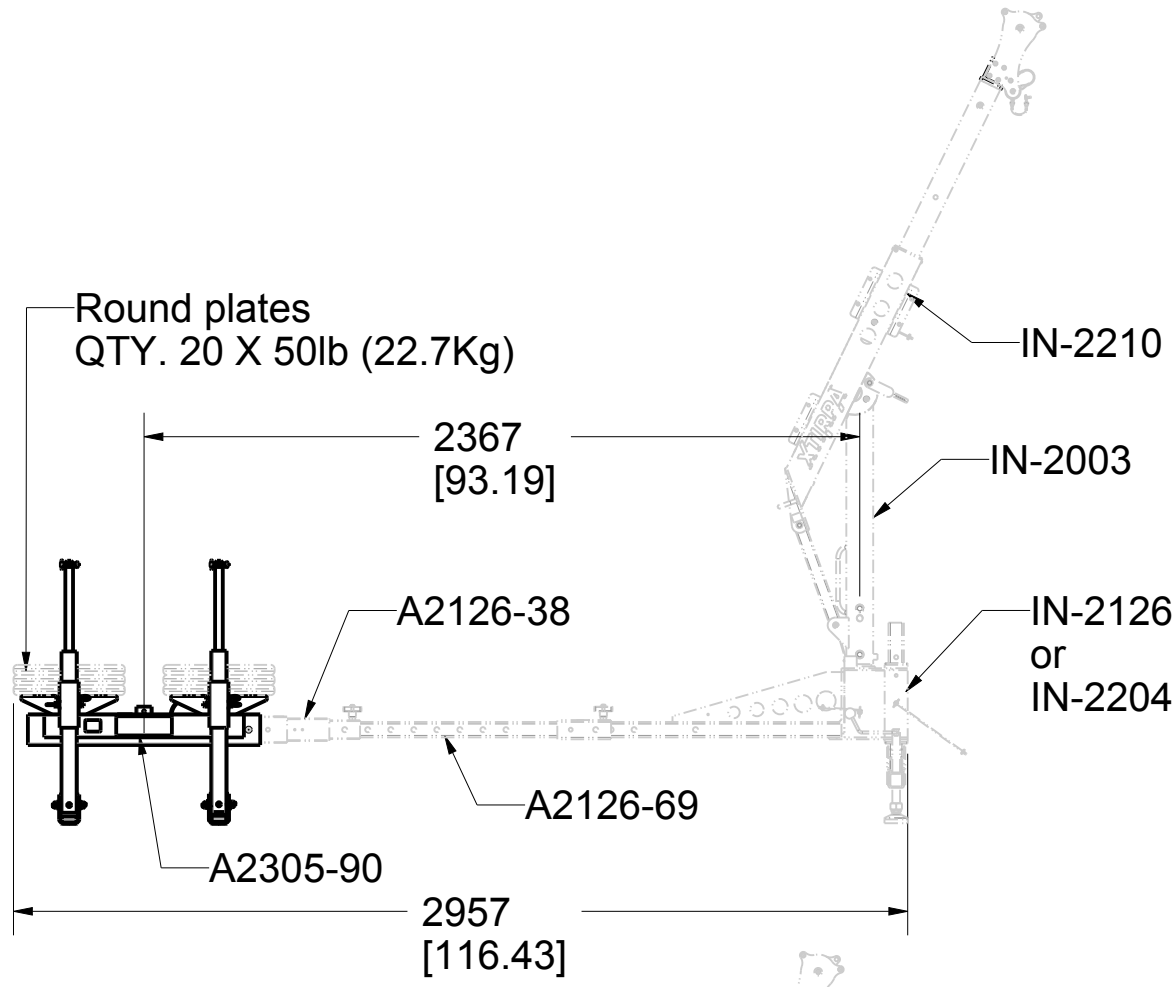
PAT.NO.:				
PRODUITS DE SERVICE PUBLICS INNOVA INC. INNOVA PUBLIC UTILITY PRODUCTS INC.				
© 9105-0732 QUEBEC INC. and under exclusive license to INNOVA PUBLIC UTILITY PRODUCTS INC., (hereafter « INNOVA »). All rights reserved. Protected under the Copyright Act of Canada and international treaties and agreements regarding copyrights. Violators are subject to prosecution and other legal recourses for infringement. Any reproduction, adaptation or other use or disclosure whatsoever, in totality or in part, and in any form or by any means whatsoever, strictly forbidden and requires the prior written approval of INNOVA. All data is the exclusive property of 9105-0732 QUEBEC INC. and under exclusive license to INNOVA and cannot be used nor disclosed in any way either without the prior written approval of INNOVA.				
WEIGHT:	TITLE:			
186.0 Lb	Counterweight support			
84.4 Kg				
COLOR:	Material:	SHEET(S):	PROJET:	Rev.
Zinc plated	Steel	1 / 5	A2305-90	05

A2305-90 Configuration requirements (CSA,OSHA,ANSI)

Product number: **A2305-90**

H
G
F
E
D
C
B
A

H
G
F
E
D
C
B
A

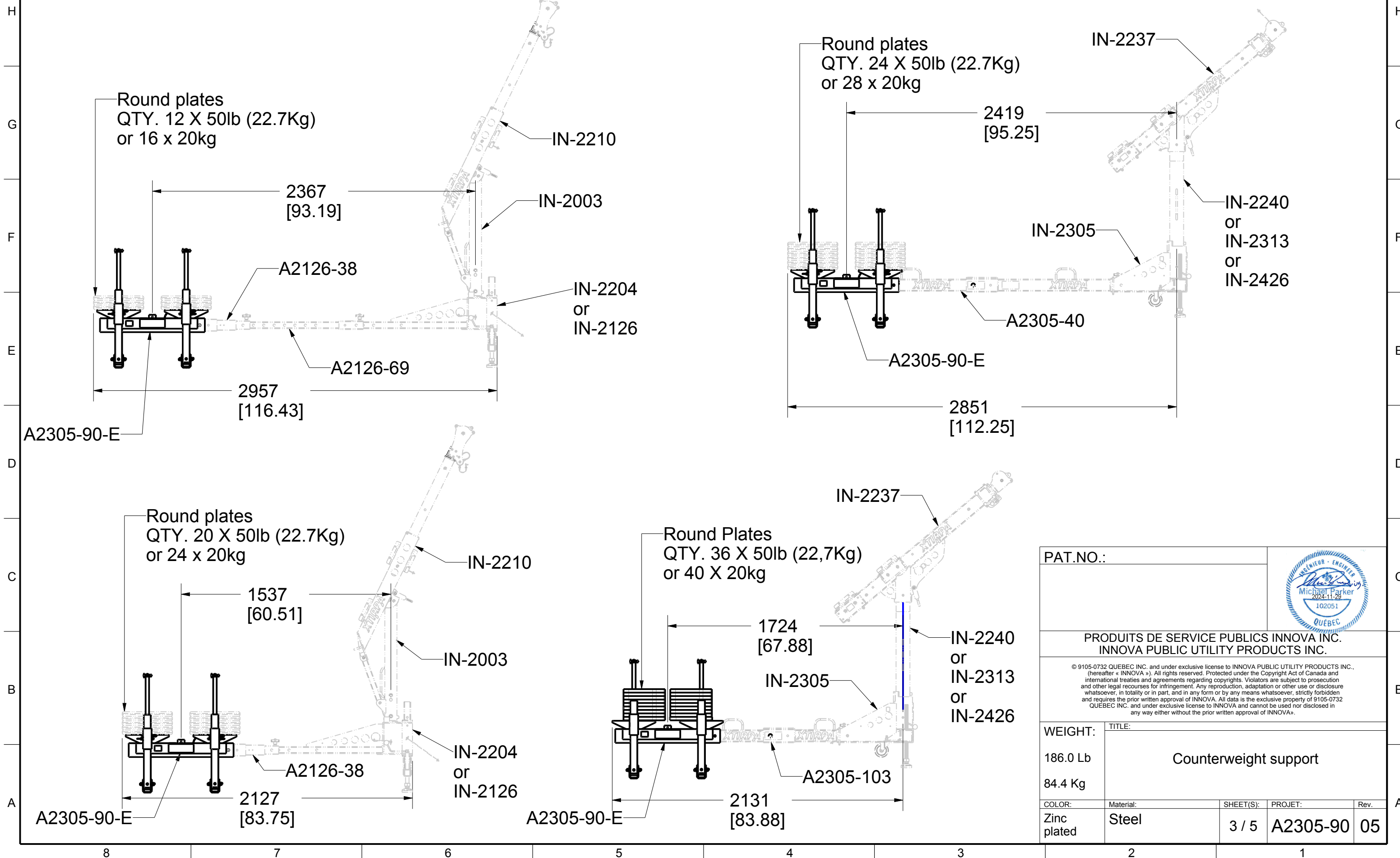


PAT.NO.:				
PRODUITS DE SERVICE PUBLICS INNOVA INC. INNOVA PUBLIC UTILITY PRODUCTS INC.				
<small>© 9105-0732 QUEBEC INC. and under exclusive license to INNOVA PUBLIC UTILITY PRODUCTS INC., (hereafter « INNOVA »). All rights reserved. Protected under the Copyright Act of Canada and international treaties and agreements regarding copyrights. Violators are subject to prosecution and other legal recourses for infringement. Any reproduction, adaptation or other use or disclosure whatsoever, in totality or in part, and in any form or by any means whatsoever, strictly forbidden and requires the prior written approval of INNOVA. All data is the exclusive property of 9105-0732 QUEBEC INC. and under exclusive license to INNOVA and cannot be used nor disclosed in any way either without the prior written approval of INNOVA.</small>				
WEIGHT:	TITLE:			
186.0 Lb	Counterweight support			
84.4 Kg				
COLOR:	Material:	SHEET(S):	PROJET:	Rev.
Zinc plated	Steel	2 / 5	A2305-90	05

8 7 6 5 4 3 2 1

A2305-90 Configuration requirements (EN 795,TS16415)

Product number: **A2305-90**



PAT.NO.:				
PRODUITS DE SERVICE PUBLICS INNOVA INC. INNOVA PUBLIC UTILITY PRODUCTS INC.				
<small>© 9105-0732 QUEBEC INC. and under exclusive license to INNOVA PUBLIC UTILITY PRODUCTS INC. (hereafter « INNOVA »). All rights reserved. Protected under the Copyright Act of Canada and international treaties and agreements regarding copyrights. Violators are subject to prosecution and other legal recourses for infringement. Any reproduction, adaptation or other use or disclosure whatsoever, in totality or in part, and in any form or by any means whatsoever, strictly forbidden and requires the prior written approval of INNOVA. All data is the exclusive property of 9105-0732 QUEBEC INC. and under exclusive license to INNOVA and cannot be used nor disclosed in any way either without the prior written approval of INNOVA.</small>				
WEIGHT:	TITLE:			
186.0 Lb 84.4 Kg	Counterweight support			
COLOR:	Material:	SHEET(S):	PROJET:	Rev.
Zinc plated	Steel	3 / 5	A2305-90	05

SPECIFICATIONS

This equipment is considered as part of a personal fall arrest system (PFAS) with a maximum working capacity of 164 Kg (360 lb).

It is only to be used in conjunction with a personal fall arrest system that limits the maximum arrest force (MAF).

STANDARDS

Name	Classification	Year	Users
AS/NZS 5532	Freefall arrest	2013	1
ANSI Z359.18	D	2017	1
CSA Z259.15	AD	2022	1
OSHA 1910.140			1
OSHA 1926.502			1
EN 795	E	2012	1
TS 16415		2013	3

MATERIAL AND CONSTRUCTION

Structure:	Steel 44W
Retaining rod for weight:	Steel 44W
Retaining pin for weight:	Stainless steel
Hardwares:	Stainless steel
Finish :	Clear trivalent zinc plated ASTM B-633-13, Type V, SC 3
Welding Certification :	CSA W59 & W47.1, AWS D1.6

RESTRICTIONS

This product is to be used only with products approved by Innova Public Utility Products inc.

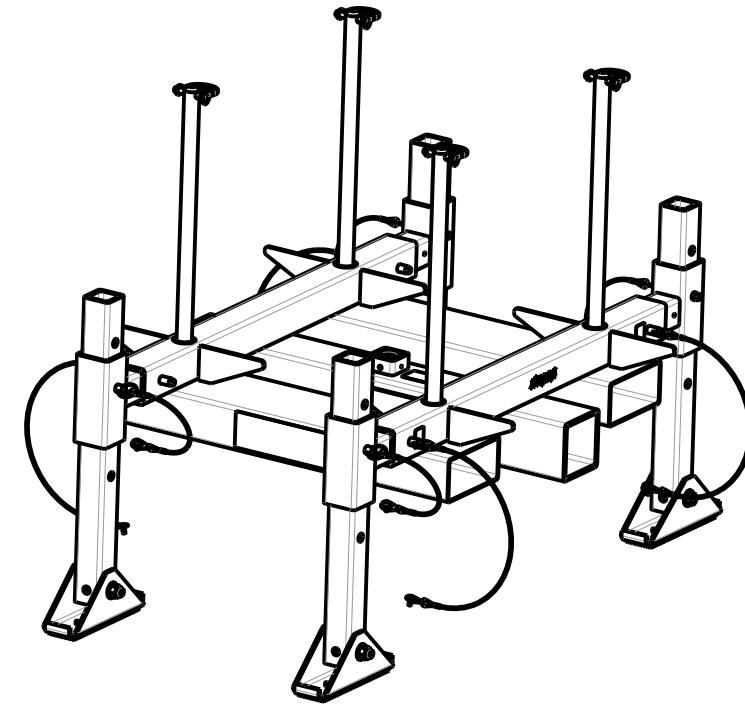
This equipment must always be operated in a level position $\pm 5^\circ$ from the horizontal and supported by it's 4 levelling pads.

It is not permitted to use this system while casters are supporting the weight.

Ensure that all hardwares and connecting pins are properly installed before use.

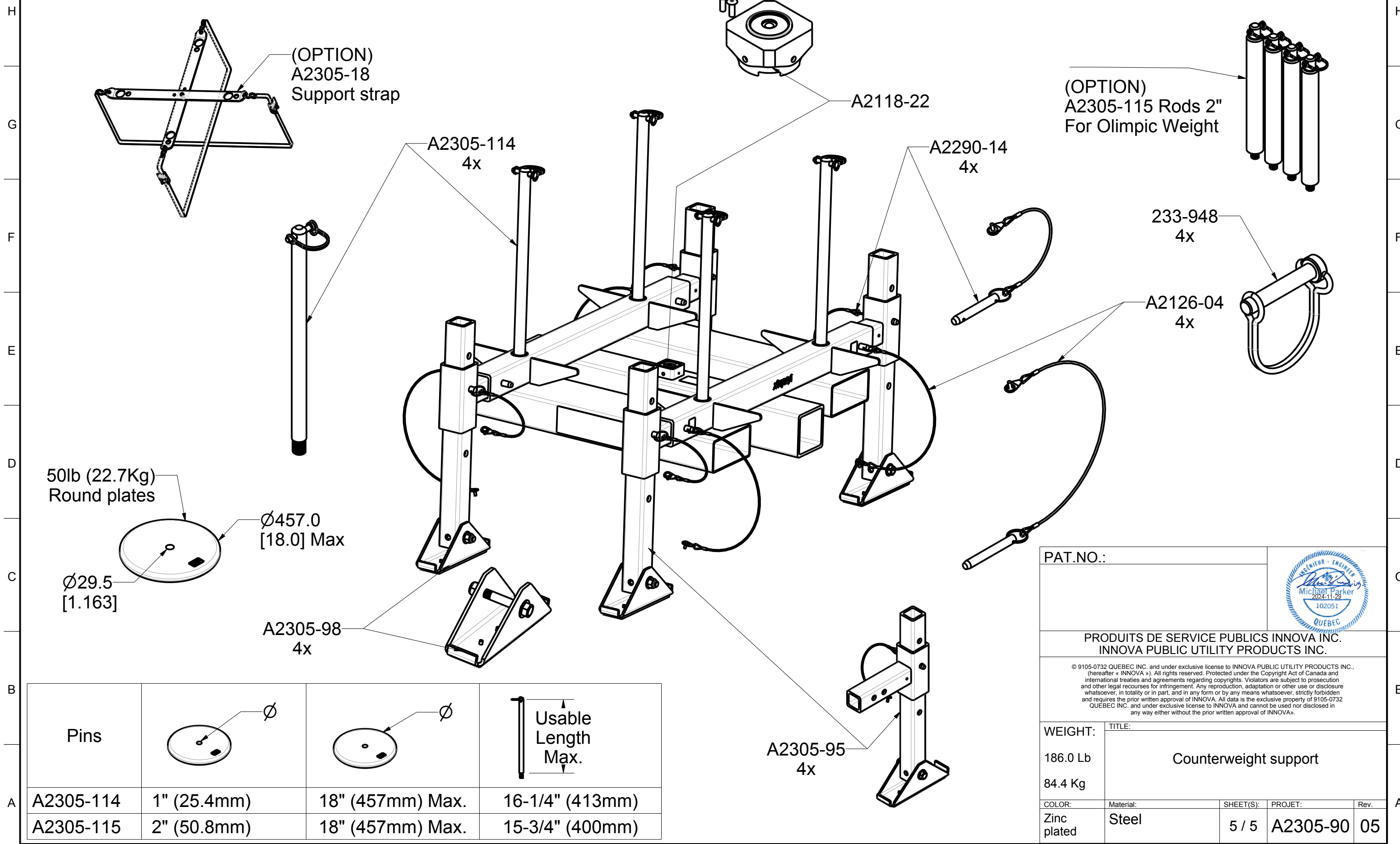
In the occurrence of a fall or that the safety of the equipment is in doubt, the equipment must be immediately removed from service and inspected by qualified personnel before reuse.

Product number: **A2305-90**



PAT.NO.:				
PRODUITS DE SERVICE PUBLICS INNOVA INC. INNOVA PUBLIC UTILITY PRODUCTS INC.				
© 9105-0732 QUEBEC INC. and under exclusive license to INNOVA PUBLIC UTILITY PRODUCTS INC., (hereafter « INNOVA »). All rights reserved. Protected under the Copyright Act of Canada and international treaties and agreements regarding copyrights. Violators are subject to prosecution and other legal recourses for infringement. Any reproduction, adaptation or other use or disclosure whatsoever, in totality or in part, and in any form or by any means whatsoever, strictly forbidden and requires the prior written approval of INNOVA. All data is the exclusive property of 9105-0732 QUEBEC INC. and under exclusive license to INNOVA and cannot be used nor disclosed in any way either without the prior written approval of INNOVA.				
WEIGHT:	TITLE:			
186.000Lb	Counterweight support			
84.366Kg				
COLOR:	Material:	SHEET(S):	PROJET:	Rev.
Zinc plated	Steel	4 / 5	A2305-90	05

Product number: **A2305-90**



Pins			
A2305-114	1" (25.4mm)	18" (457mm) Max.	16-1/4" (413mm)
A2305-115	2" (50.8mm)	18" (457mm) Max.	15-3/4" (400mm)

PAT.NO.:

PRODUITS DE SERVICE PUBLICS INNOVA INC.
INNOVA PUBLIC UTILITY PRODUCTS INC.

© 9105-0732 QUEBEC INC. and under exclusive license to INNOVA PUBLIC UTILITY PRODUCTS INC., (hereafter « INNOVA »). All rights reserved. Protected under the Copyright Act of Canada and international treaties and agreements regarding copyrights. Violators are subject to prosecution and other legal recourses for infringement. Any reproduction, adaptation or other use or disclosure whatsoever, in totality or in part, and in any form or by any means whatsoever, strictly forbidden and requires the prior written approval of INNOVA. All data is the exclusive property of 9105-0732 QUEBEC INC. and under exclusive license to INNOVA and cannot be used nor disclosed in any way either without the prior written approval of INNOVA.

WEIGHT: 186.0 Lb
84.4 Kg

TITLE: **Counterweight support**

COLOR: Zinc plated	Material: Steel	SHEET(S): 5 / 5	PROJET: A2305-90	Rev: 05
--------------------	-----------------	-----------------	------------------	---------