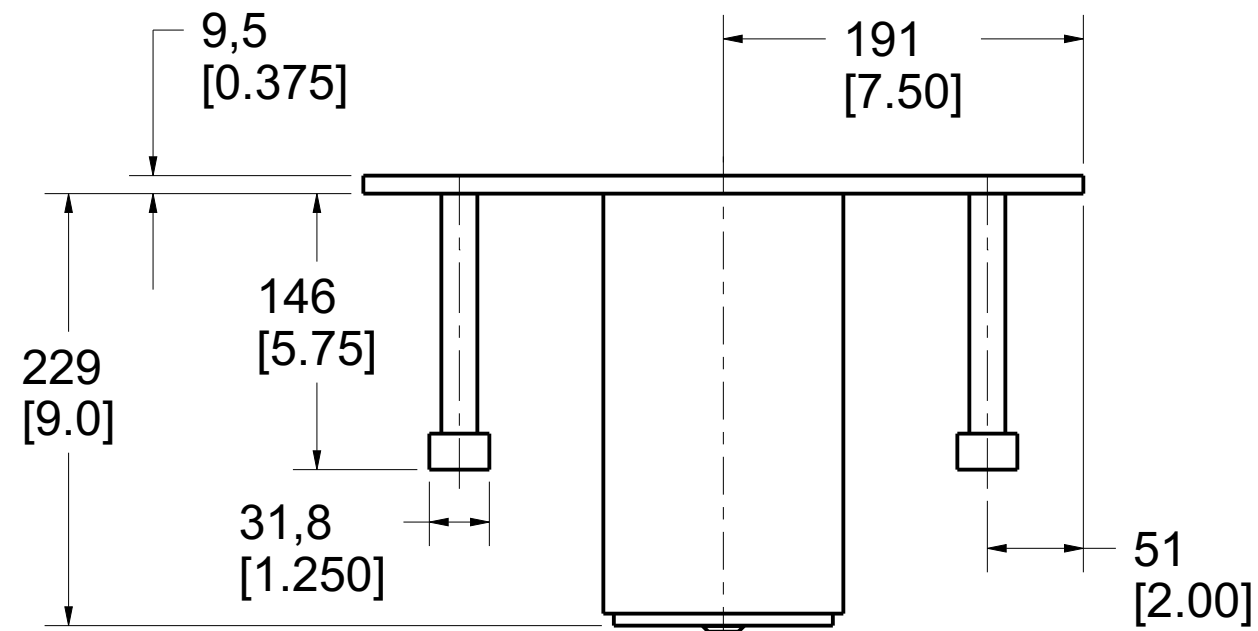
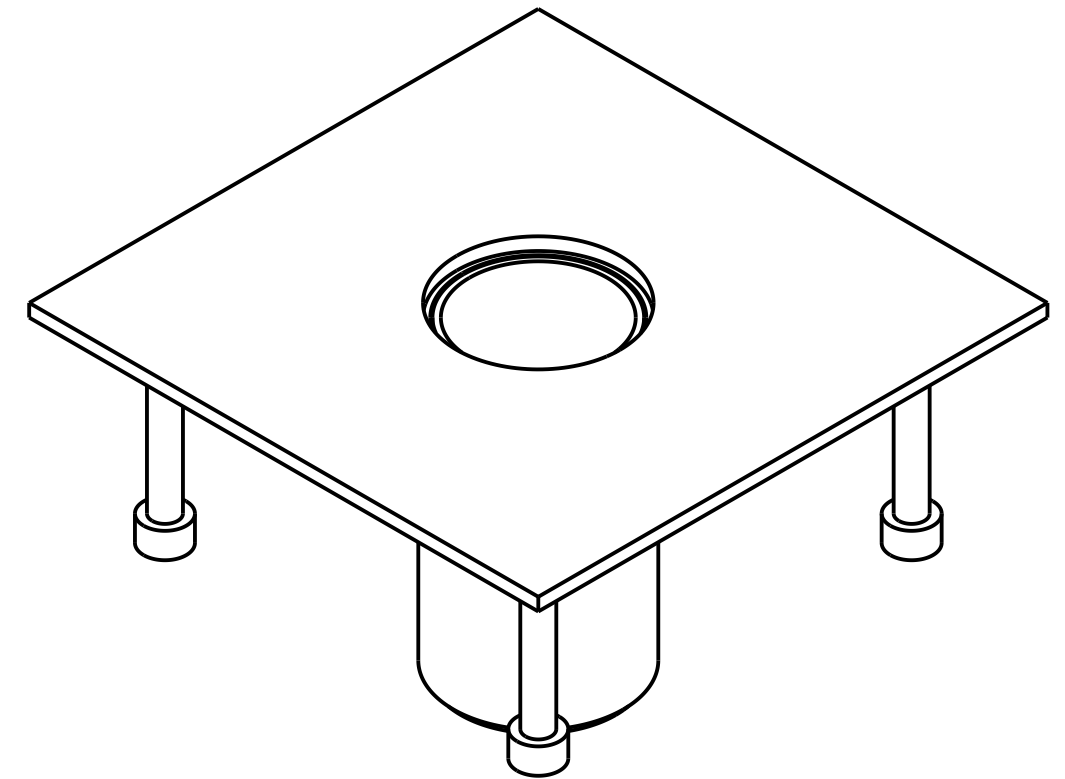
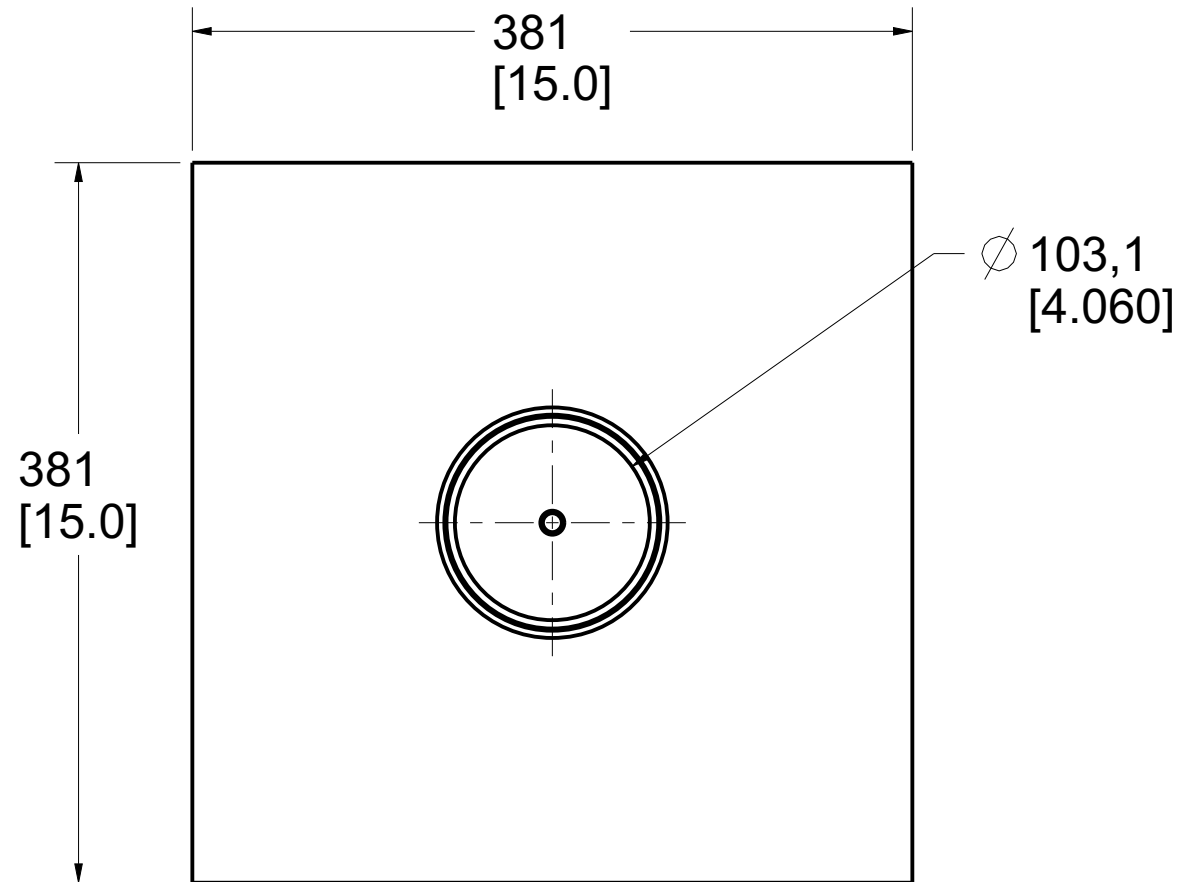


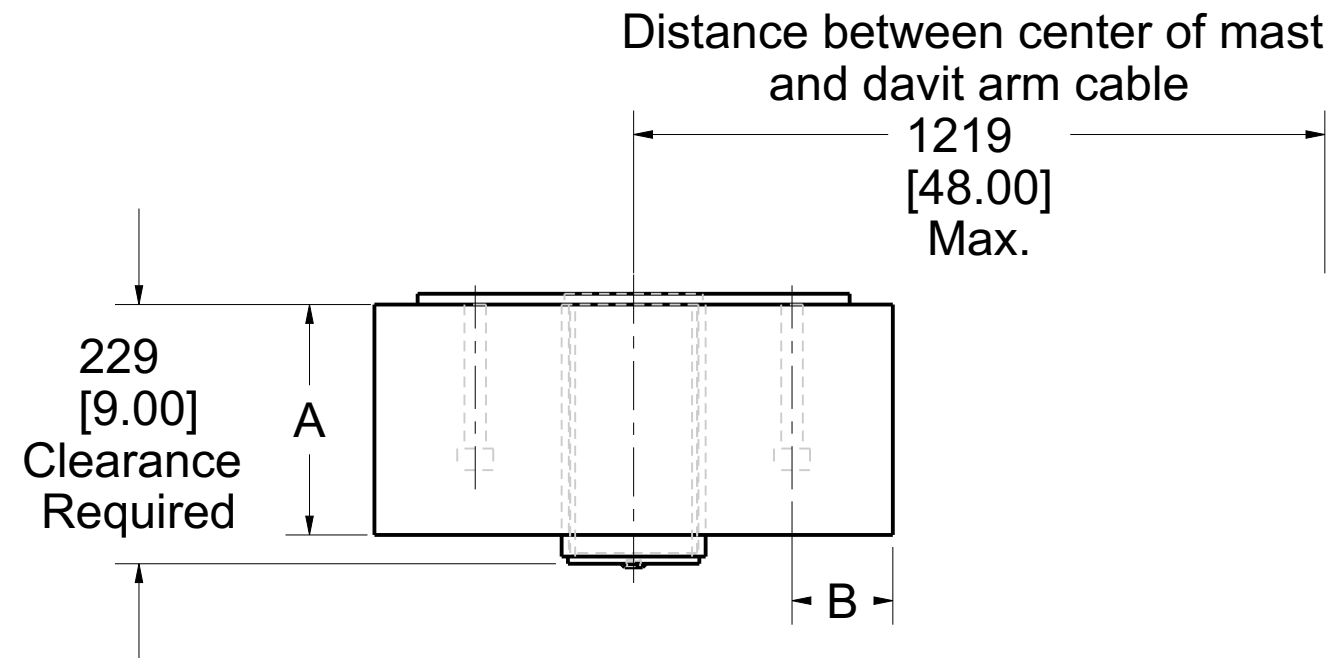
Product number: IN-2382



PAT.NO.:				
PRODUITS DE SERVICE PUBLICS INNOVA INC. INNOVA PUBLIC UTILITY PRODUCTS INC.				
© 9105-0732 QUEBEC INC. and under exclusive license to INNOVA PUBLIC UTILITY PRODUCTS INC., (hereafter « INNOVA »). All rights reserved. Protected under the Copyright Act of Canada and international treaties and agreements regarding copyrights. Violators are subject to prosecution and other legal recourses for infringement. Any reproduction, adaptation or other use or disclosure whatsoever, in totality or in part, and in any form or by any means whatsoever, strictly forbidden and requires the prior written approval of INNOVA. All data is the exclusive property of 9105-0732 QUEBEC INC. and under exclusive license to INNOVA and cannot be used nor disclosed in any way either without the prior written approval of INNOVA.				
WEIGHT:	TITLE:			
37.3 Lb	102mm (4") Fresh Concrete Floor Adapter			
16.9 Kg				
COLOR:	Material:	SHEET(S):	PROJET:	Rev.
	SS 304	1 / 4	IN-2382	05

Base Installation Requirements

Product number: **IN-2382**

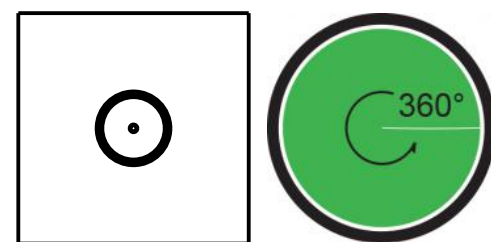


ANSI, AS / NZS, CSA, OSHA

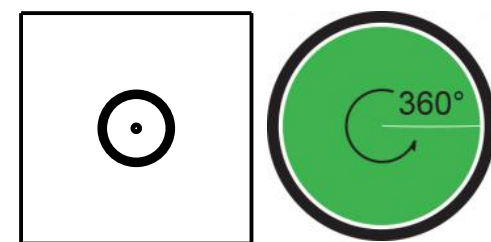
	Full thickness	Example *	Sandwich	Example *
Minimum thickness (A)	Refer to fastener manufacturer specifications	203 mm (8.00")	N / A	N / A
Minimum edge distance (B)	Refer to fastener manufacturer specifications	89 mm (3.50")	N / A	N / A
Embedment depth	Refer to fastener manufacturer specifications	N / A	N / A	N / A
Minimum pullout strength per fastener	N / A	N / A	N / A	N / A
Maximum moment applied to the structure	19,2 kN•m (169 934 lbf•in)	19,2 kN•m (169 934 lbf•in)	N / A	N / A
Maximum vertical load applied to the structure	22,3 kN (5 000 lbf)	22,3 kN (5 000 lbf)	N / A	N / A

Note:

1. It is the responsibility of the local engineer to assure installation compliance.
2. All other variation must be approved by the local engineer.
3. *Typical installation concrete for 21 MPa (3000 psi) and 0.2% gross area rebar reinforcement.
4. Tolerance of flatness around adapter contour and wall shall not exceed 3/8" (9,5mm).

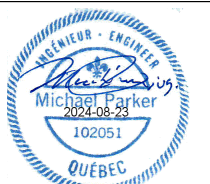


Permissible Working Angle



Permissible Angle of Recuperation

PAT.NO.:



PRODUITS DE SERVICE PUBLICS INNOVA INC.
INNOVA PUBLIC UTILITY PRODUCTS INC.

© 9105-0732 QUEBEC INC. and under exclusive license to INNOVA PUBLIC UTILITY PRODUCTS INC., (hereafter « INNOVA »). All rights reserved. Protected under the Copyright Act of Canada and international treaties and agreements regarding copyrights. Violators are subject to prosecution and other legal recourses for infringement. Any reproduction, adaptation or other use or disclosure whatsoever, in totality or in part, and in any form or by any means whatsoever, strictly forbidden and requires the prior written approval of INNOVA. All data is the exclusive property of 9105-0732 QUEBEC INC. and under exclusive license to INNOVA and cannot be used nor disclosed in any way either without the prior written approval of INNOVA.

WEIGHT:

37.3 Lb

16.9 Kg

TITLE:

102mm (4") Fresh Concrete Floor Adapter

COLOR:

Material:
SS 304

SHEET(S):

2 / 4

PROJET:

IN-2382

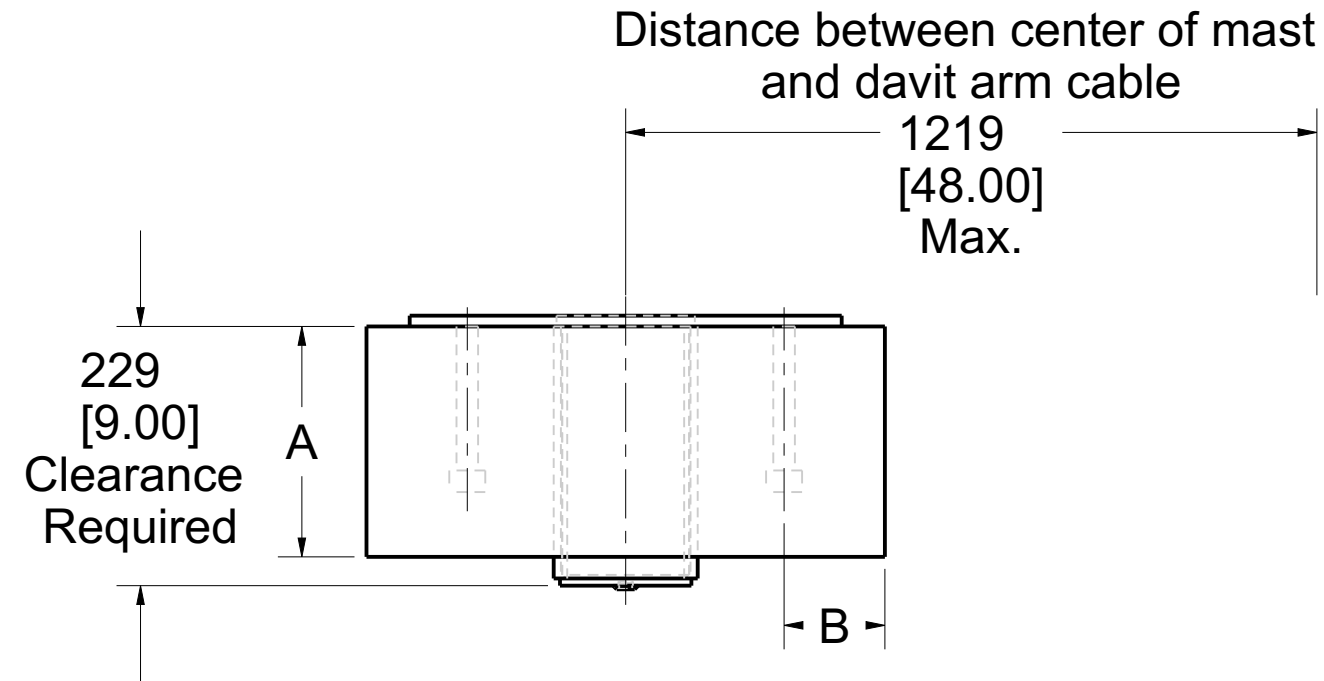
Rev.

05

Base Installation Requirements

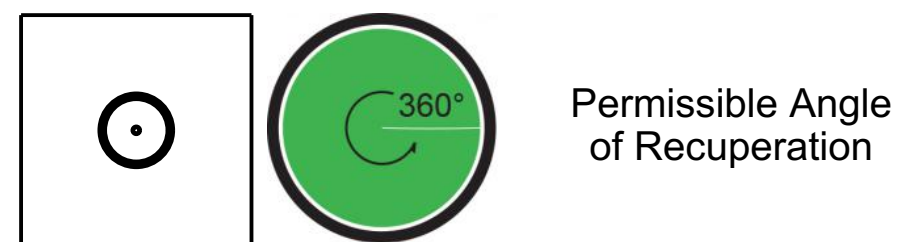
Product number: **IN-2382**

EN 795, TS16415

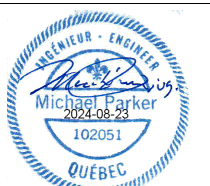


	Full thickness	Sandwich
Minimum thickness (A)	Refer to fastener manufacturer specifications	N / A
Minimum edge distance (B)	Refer to fastener manufacturer specifications	N / A
Embedment depth	Refer to fastener manufacturer specifications	N / A
Minimum pullout strength per fastener	N / A	N / A
Maximum moment applied to the structure	16,8 kN•m (148 692 lbf•in)	N / A
Maximum vertical load applied to the structure	14,0 kN (3 147 lbf)	N / A

- Note:
1. It is the responsibility of the local engineer to assure installation compliance.
 2. All other variation must be approved by the local engineer.
 3. Tolerance of flatness around adapter contour and wall shall not exceed 3/8" (9,5mm).



PAT.NO.:



PRODUITS DE SERVICE PUBLICS INNOVA INC.
INNOVA PUBLIC UTILITY PRODUCTS INC.

© 9105-0732 QUEBEC INC. and under exclusive license to INNOVA PUBLIC UTILITY PRODUCTS INC., (hereafter « INNOVA »). All rights reserved. Protected under the Copyright Act of Canada and international treaties and agreements regarding copyrights. Violators are subject to prosecution and other legal recourses for infringement. Any reproduction, adaptation or other use or disclosure whatsoever, in totality or in part, and in any form or by any means whatsoever, strictly forbidden and requires the prior written approval of INNOVA. All data is the exclusive property of 9105-0732 QUEBEC INC. and under exclusive license to INNOVA and cannot be used nor disclosed in any way either without the prior written approval of INNOVA.

WEIGHT:

TITLE:

37.3 Lb

16.9 Kg

102mm (4") Fresh Concrete Floor Adapter

COLOR:

Material:

SS 304

SHEET(S):

3 / 4

PROJET:

IN-2382

Rev.

05

SPECIFICATIONS

This adapter is only to be used in conjunction with a personal fall arrest system (PFAS) that limits the maximum arrest force (MAF) to 6,0 kN.

Working load limit (WLL) :	164 kg	(360 lb)
Minimum breaking strength :	16,0 kN	(3 600 lbf)
Maximum working moment :	2,0 kN•m	(17 280 lbf•in)
Maximum design moment :	19,5 kN•m	(172 800 lbf•in)

STANDARDS

Name	Classification	Year	Users
AS / NZS 5532	Freefall Arrest	2013	1
ANSI Z359.18	D	2017	1
CSA Z259.15	AD	2022	1
OSHA 1910.140			1
OSHA 1926.502			1
EN 795	A	2012	1
TS 16415		2013	3

This equipment is not covered by the EN 795 and TS 16415 standards , but it can be used with an XTIRPA personal protective equipment (PPE).

MATERIAL AND CONSTRUCTION

Structure :	Stainless Steel 304
Hardware :	Stainless Steel
Welding certification :	Steel / Stainless Steel : CSA W59.18 / CSA W47.1 and AWS D1.6

RESTRICTIONS

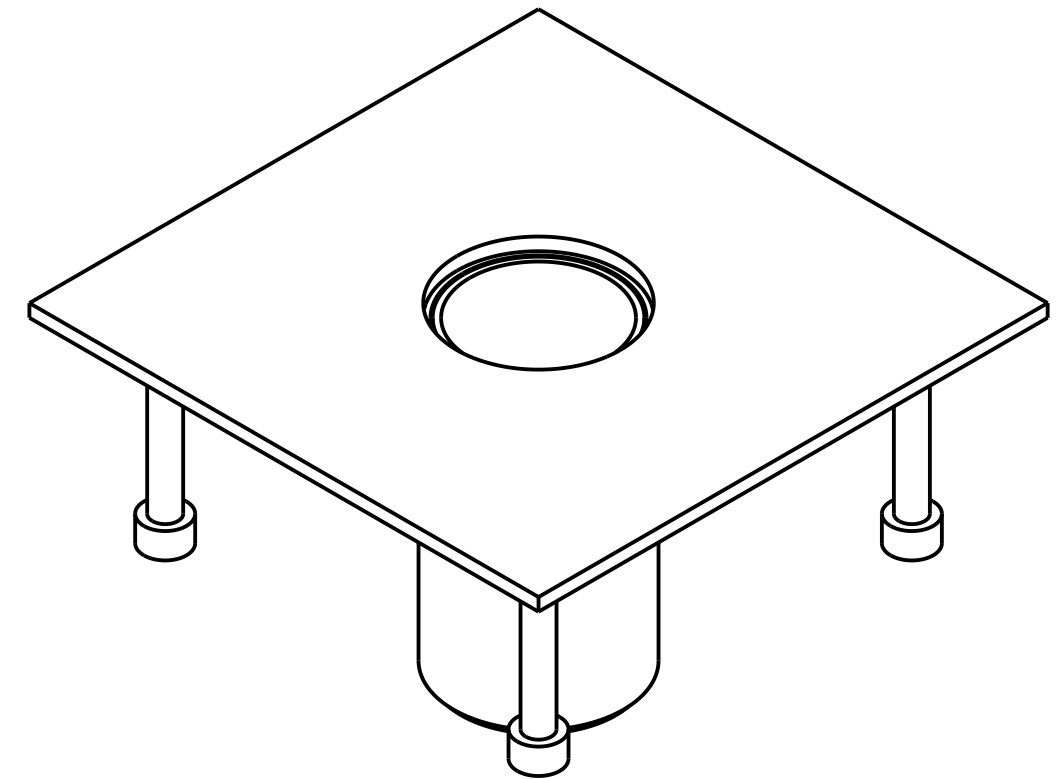
This equipment is to be used only with products approved by Innova Public Utility Products Inc.

This equipment must always be operated on a level surface.

Ensure that all hardwares and connecting pins are properly installed before use.

In the occurrence of a fall or that the safety of the equipment is in doubt, the equipment must be immediately removed from service and inspected by qualified personnel before reuse.

Product number: **IN-2382**



PAT.NO.:				
PRODUITS DE SERVICE PUBLICS INNOVA INC. INNOVA PUBLIC UTILITY PRODUCTS INC.				
© 9105-0732 QUEBEC INC. and under exclusive license to INNOVA PUBLIC UTILITY PRODUCTS INC., (hereafter « INNOVA »). All rights reserved. Protected under the Copyright Act of Canada and international treaties and agreements regarding copyrights. Violators are subject to prosecution and other legal recourses for infringement. Any reproduction, adaptation or other use or disclosure whatsoever, in totality or in part, and in any form or by any means whatsoever, strictly forbidden and requires the prior written approval of INNOVA. All data is the exclusive property of 9105-0732 QUEBEC INC. and under exclusive license to INNOVA and cannot be used nor disclosed in any way either without the prior written approval of INNOVA».				
WEIGHT:	TITLE:			
37.3 Lb	102mm (4") Fresh Concrete Floor Adapter			
16.9 Kg				
COLOR:	Material:	SHEET(S):	PROJET:	Rev.
	SS 304	4 / 4	IN-2382	05