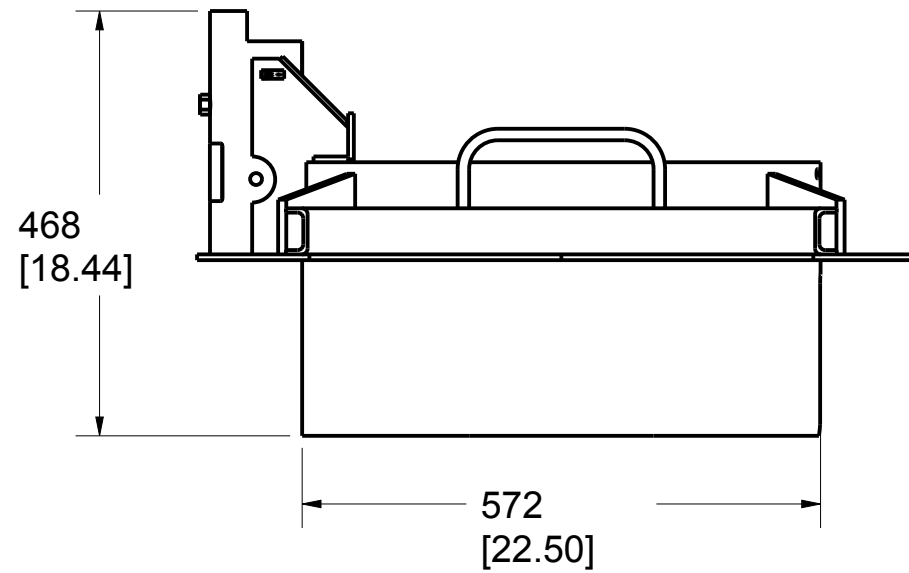
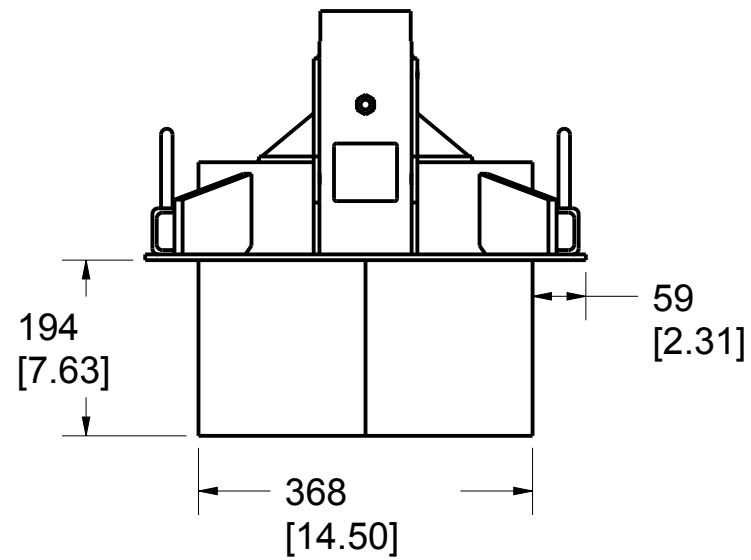
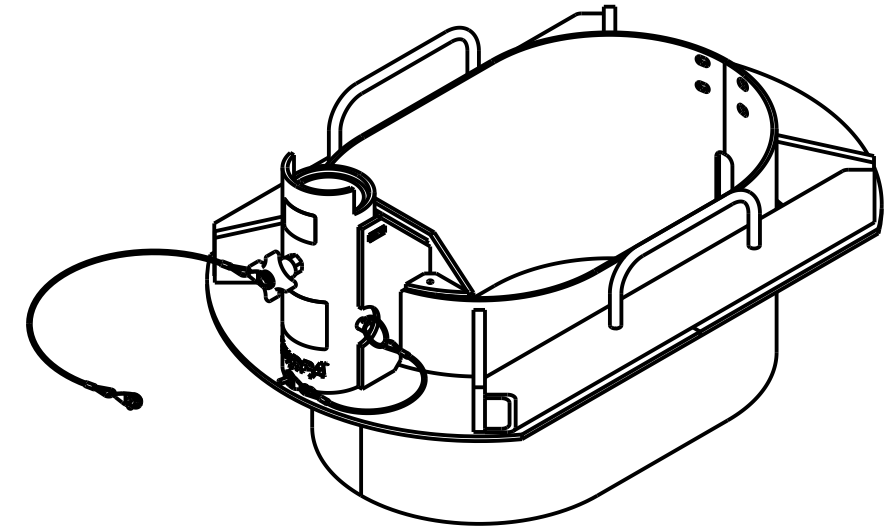
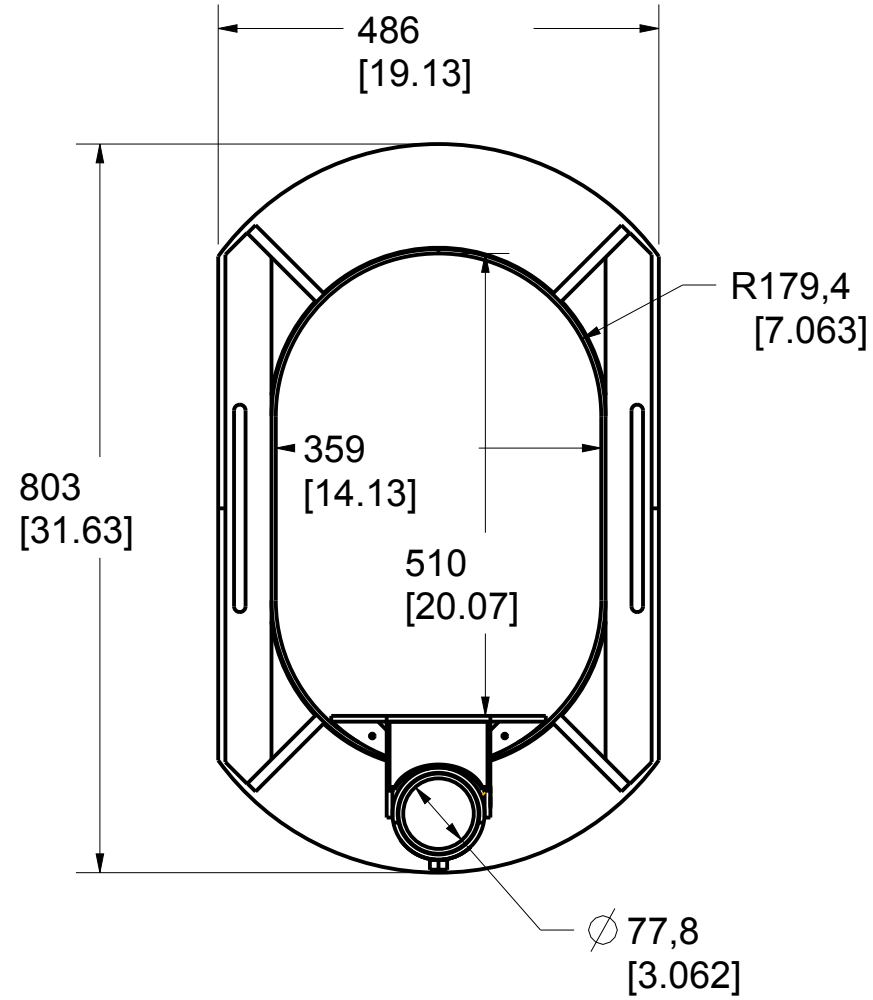
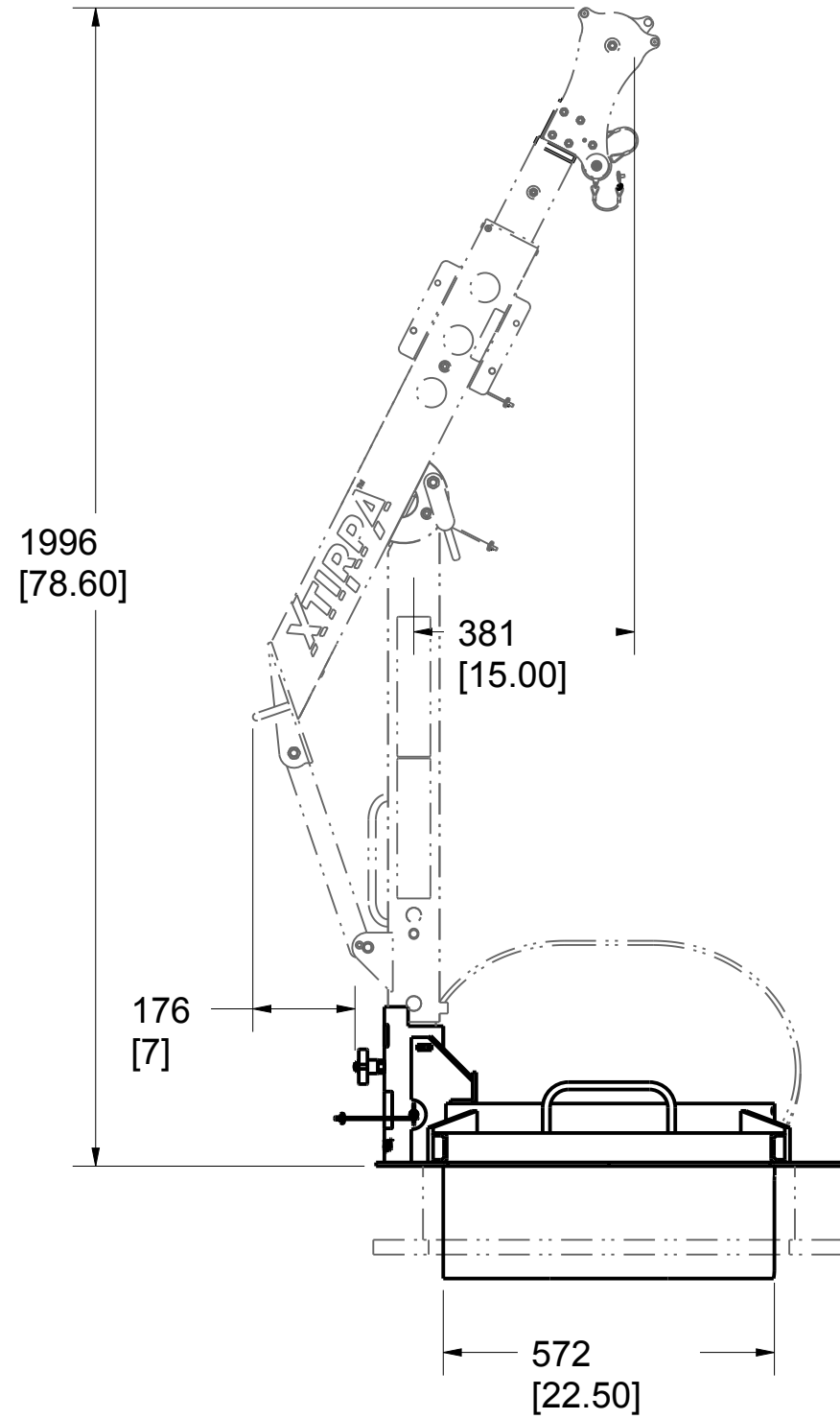


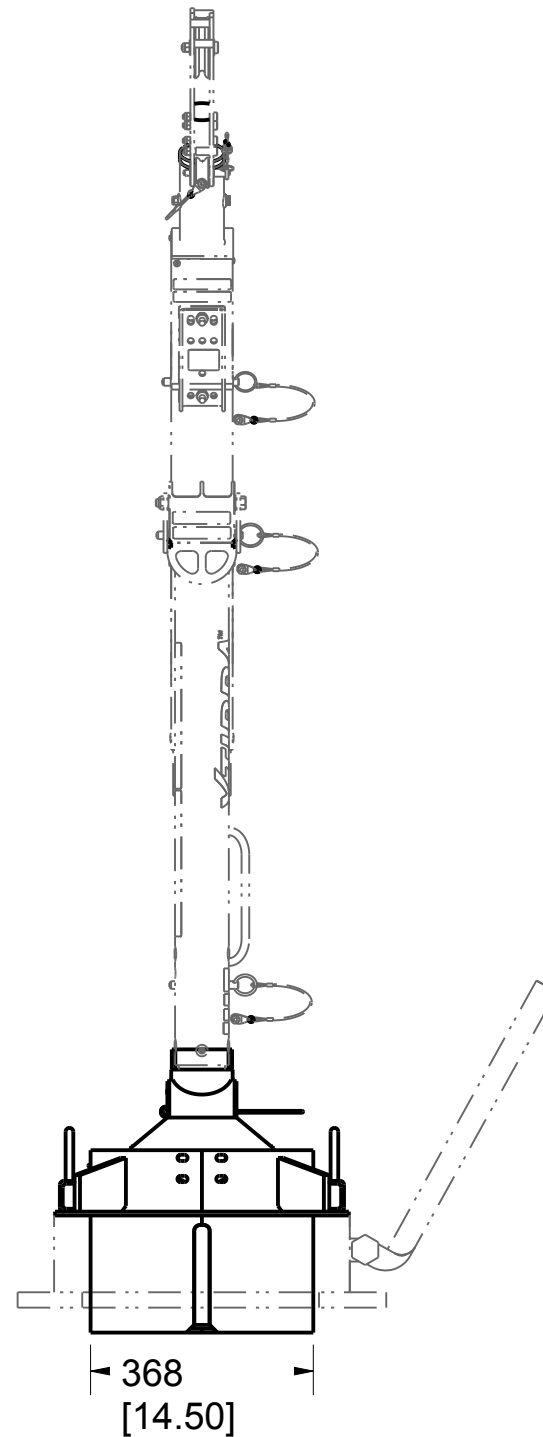
Product number: IN-2469



PAT. NO.:		©10/05/2016	©
<b>PRODUITS DE SERVICE PUBLICS INNOVA INC.</b> <b>INNOVA PUBLIC UTILITY PRODUCTS INC.</b>			
© 9105-0732 QUEBEC INC. and under exclusive license to INNOVA PUBLIC UTILITY PRODUCTS INC., (hereafter « INNOVA »). All rights reserved. Protected under the Copyright Act of Canada and international treaties and agreements regarding copyrights. Violators are subject to prosecution and other legal recourses for infringement. Any reproduction, adaptation or other use or disclosure whatsoever, in totality or in part, and in any form or by any means whatsoever, strictly forbidden and requires the prior written approval of INNOVA. All data is the exclusive property of 9105-0732 QUEBEC INC. and under exclusive license to INNOVA and cannot be used nor disclosed in any way either without the prior written approval of INNOVA.			
WEIGHT:	TITLE:		
40 Lb	<b>Rectangular manhole collar 15" x 23"</b> <b>with rounded corners</b>		
18 Kg			
COLOR:	MATERIAL:	SHEET(S):	PROJECT:
Safety yellow	Aluminum	1 / 4	IN-2469



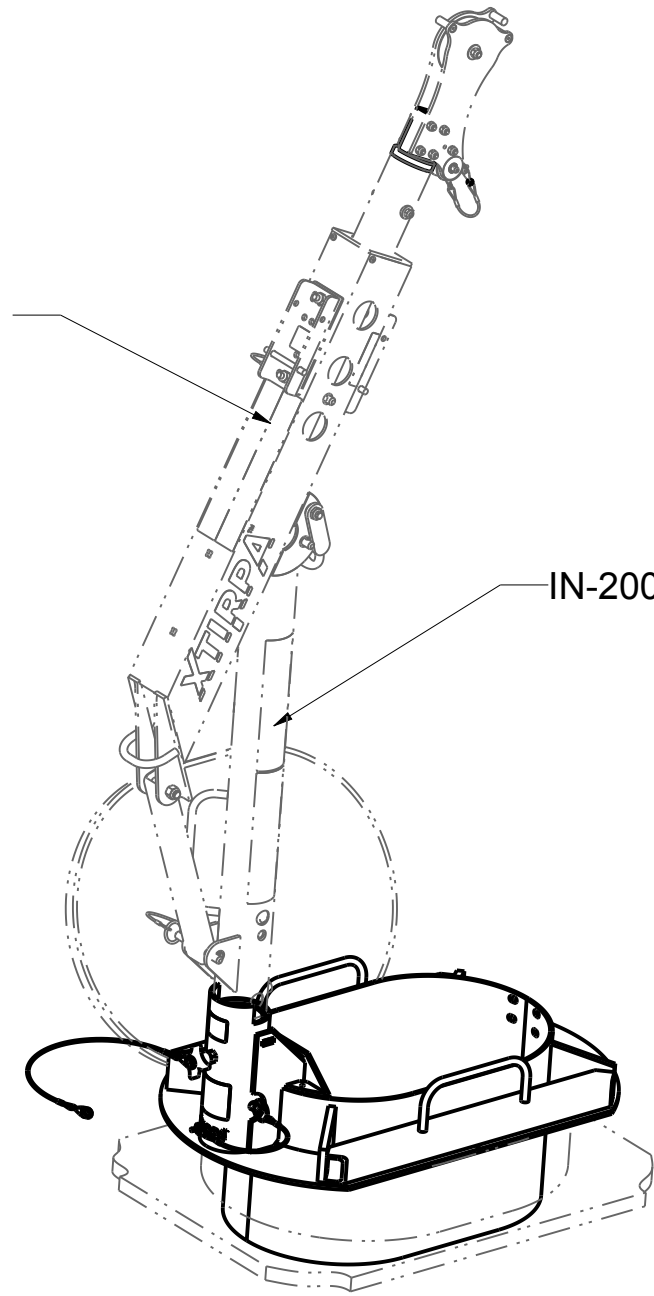
Manhole diameter  
acceptable tolerance  
584mm [23.00"] MIN  
635mm [25.00"] MAX



Manhole diameter  
acceptable tolerance  
381mm [15.00"] MIN  
419mm [16.50"] MAX

IN-2210

IN-2003



PAT. NO.:		©10/05/2016	©
<b>PRODUITS DE SERVICE PUBLICS INNOVA INC.</b> <b>INNOVA PUBLIC UTILITY PRODUCTS INC.</b>			
© 9105-0732 QUEBEC INC. and under exclusive license to INNOVA PUBLIC UTILITY PRODUCTS INC., (hereafter « INNOVA »). All rights reserved. Protected under the Copyright Act of Canada and international treaties and agreements regarding copyrights. Violators are subject to prosecution and other legal recourses for infringement. Any reproduction, adaptation or other use or disclosure whatsoever, in totality or in part, and in any form or by any means whatsoever, strictly forbidden and requires the prior written approval of INNOVA. All data is the exclusive property of 9105-0732 QUEBEC INC. and under exclusive license to INNOVA and cannot be used nor disclosed in any way either without the prior written approval of INNOVA.			
WEIGHT:	TITLE:		
40 Lb	<b>Rectangular manhole collar 15" x 23"</b> <b>with rounded corners</b>		
18 Kg			
COLOR:	MATERIAL:	SHEET(S):	PROJECT:
Safety yellow	Aluminum	2 / 4	IN-2469

SPECIFICATIONS

H This equipment is considered as part of a personal fall arrest system (PFAS) with a maximum working capacity of 164 Kg (360 lb).

It is only to be used in conjunction with a personal fall arrest system that limits the maximum arrest force (MAF).

G Working load (mass) and moment:  
With mast IN-2003 and Davit Arm IN-2210: 164 kg (360 lb), 732 N-m (6,480 lbf-in)

Max Design Capacity  
With mast IN-2003 and Davit Arm IN-2210: 16,014 N (3,600 lbf), 7,320 N-m (64,800 lbf-in)

F STANDARDS

Meets the following standards:  
OSHA Personal fall arrest system - 1910.66 App C  
ANSI Safety requirements for personal fall arrest system, subsystems and components Z359.1 ( R1999 ) / 2007  
E CAN/CSA Fall arresters, vertical lifelines, and rails Z259.2.1-98

MATERIAL AND CONSTRUCTION

Rings, Handles, reinforcements and sleeve : Aluminum 6061-T6  
Sleeve bearing : PVC  
D Pin : Stainless steel  
Lanyard : Nylon covered stainless steel Cable  
Finish : Yellow security powder paint with metal protection base.  
Welding Certification : CSA W47,2M

C RESTRICTIONS

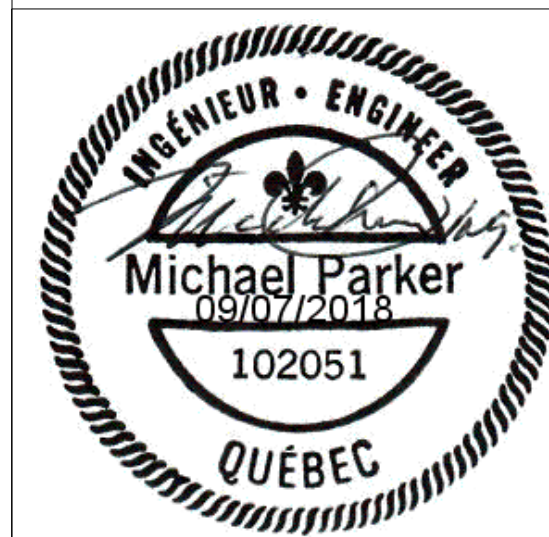
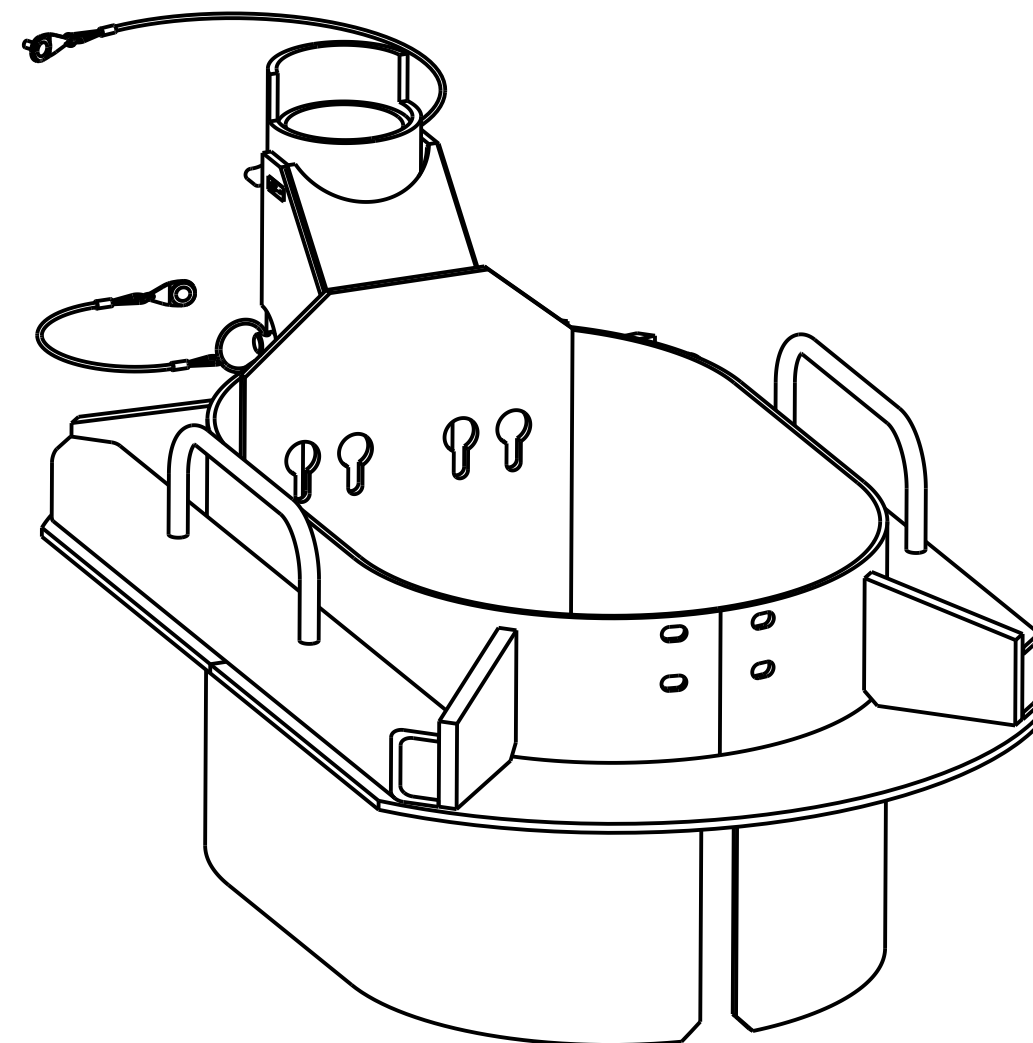
This product is to be used only with products approved by Innova Public Utility Products inc.

IMPORTANT :

B \*\*The positioning pins must always be in place when manoeuvring personnel. Otherwise, serious injuries may occur.  
Periodic inspections of hardware must be done.  
In the occurrence of a fall or the safety of the equipment is in doubt, equipment must be immediately removed from service and inspected by qualified personnel before reuse.

A \*\* This equipment must always be operated in a level position.

Product number: IN-2469



Stamping space

PAT. NO.:		©10/05/2016	©
PRODUITS DE SERVICE PUBLICS INNOVA INC. INNOVA PUBLIC UTILITY PRODUCTS INC.			
<small>© 9105-0732 QUEBEC INC. and under exclusive license to INNOVA PUBLIC UTILITY PRODUCTS INC., (hereafter « INNOVA »). All rights reserved. Protected under the Copyright Act of Canada and international treaties and agreements regarding copyrights. Violators are subject to prosecution and other legal recourses for infringement. Any reproduction, adaptation or other use or disclosure whatsoever, in totality or in part, and in any form or by any means whatsoever, strictly forbidden and requires the prior written approval of INNOVA. All data is the exclusive property of 9105-0732 QUEBEC INC. and under exclusive license to INNOVA and cannot be used nor disclosed in any way either without the prior written approval of INNOVA.</small>			
WEIGHT:	TITLE:		
40 Lb	Rectangular manhole collar 15" x 23"		
18 Kg	with rounded corners		
COLOR:	MATERIAL:	SHEET(S):	PROJECT:
Safety yellow	Aluminum	3 / 4	IN-2469

8

7

6

5

4

3

2

1

H

G

F

E

D

C

B

A

H

G

F

E

D

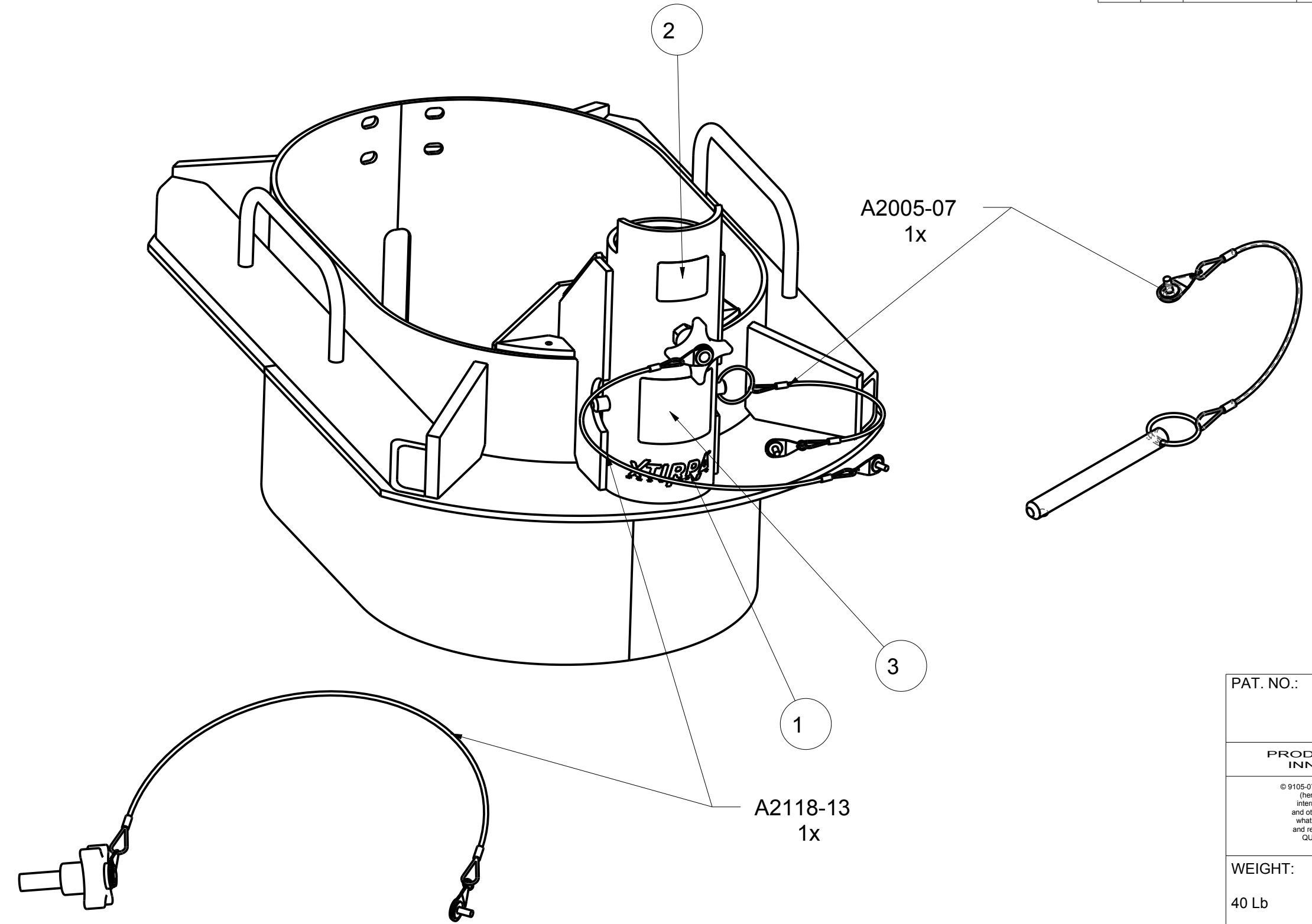
C

B

A

Product number: IN-2469

3	1	S2167-006	RevA	Étiquette univ. pr. anneau d'entrée	
2	1	S2001-005	RevC	Étiquette NO. produit et NO. Série	
1	1	S2001-003	E	LOGO XTIRPA	
IDX	QTE	COMPOSANTE	REV	DESCRIPTION	MATERIAU



PAT. NO.:		©10/05/2016	©
<b>PRODUITS DE SERVICE PUBLICS INNOVA INC.</b> <b>INNOVA PUBLIC UTILITY PRODUCTS INC.</b>			
<small>© 9105-0732 QUEBEC INC. and under exclusive license to INNOVA PUBLIC UTILITY PRODUCTS INC., (hereafter « INNOVA »). All rights reserved. Protected under the Copyright Act of Canada and international treaties and agreements regarding copyrights. Violators are subject to prosecution and other legal recourses for infringement. Any reproduction, adaptation or other use or disclosure whatsoever, in totality or in part, and in any form or by any means whatsoever, strictly forbidden and requires the prior written approval of INNOVA. All data is the exclusive property of 9105-0732 QUEBEC INC. and under exclusive license to INNOVA and cannot be used nor disclosed in any way either without the prior written approval of INNOVA.</small>			
WEIGHT:	TITLE:		
40 Lb	Rectangular manhole collar 15" x 23"		
18 Kg	with rounded corners		
COLOR:	MATERIAL:	SHEET(S):	PROJECT:
Safety yellow	Aluminum	4 / 4	IN-2469

8

7

6

5

4

3

2

1