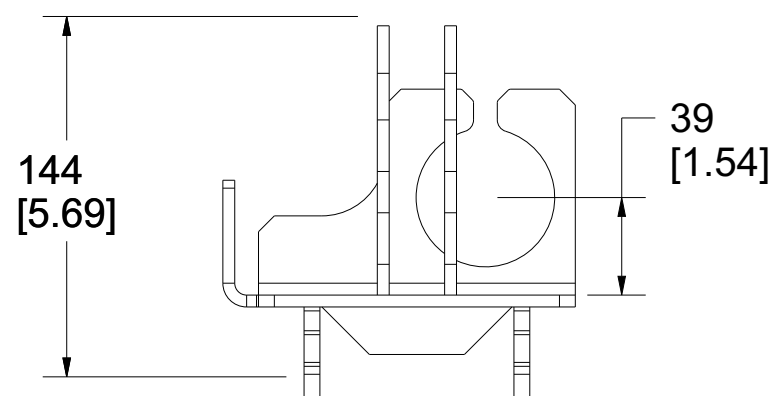
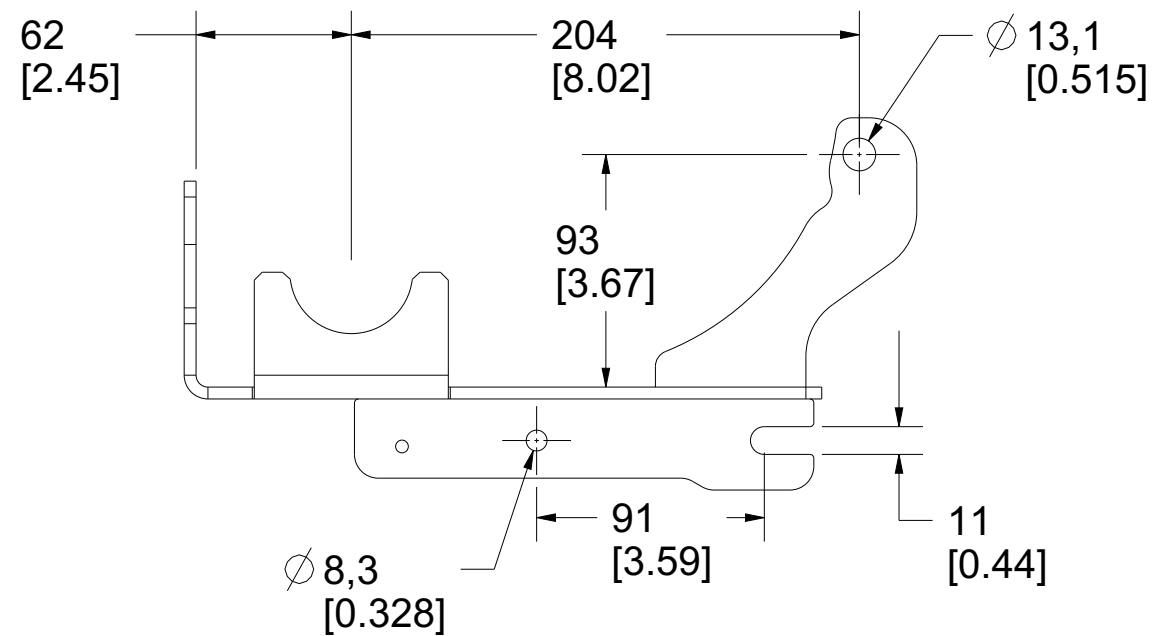
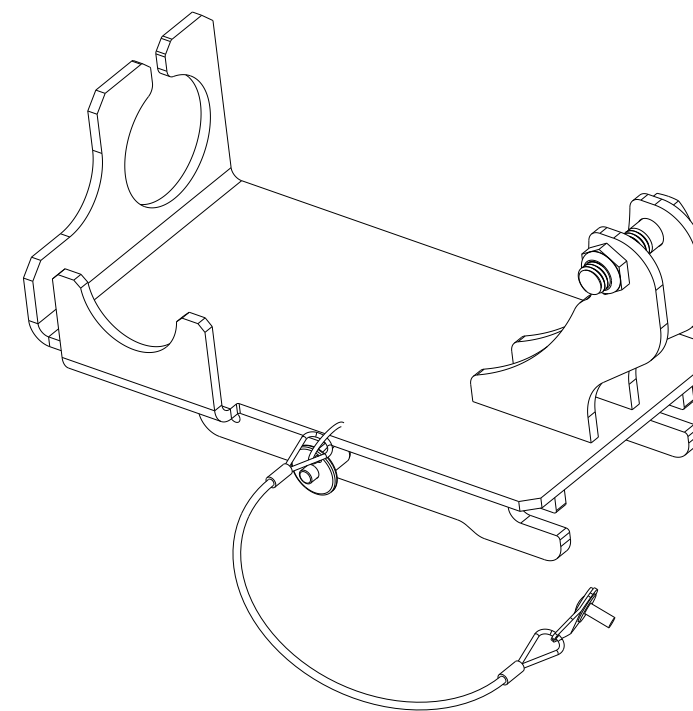
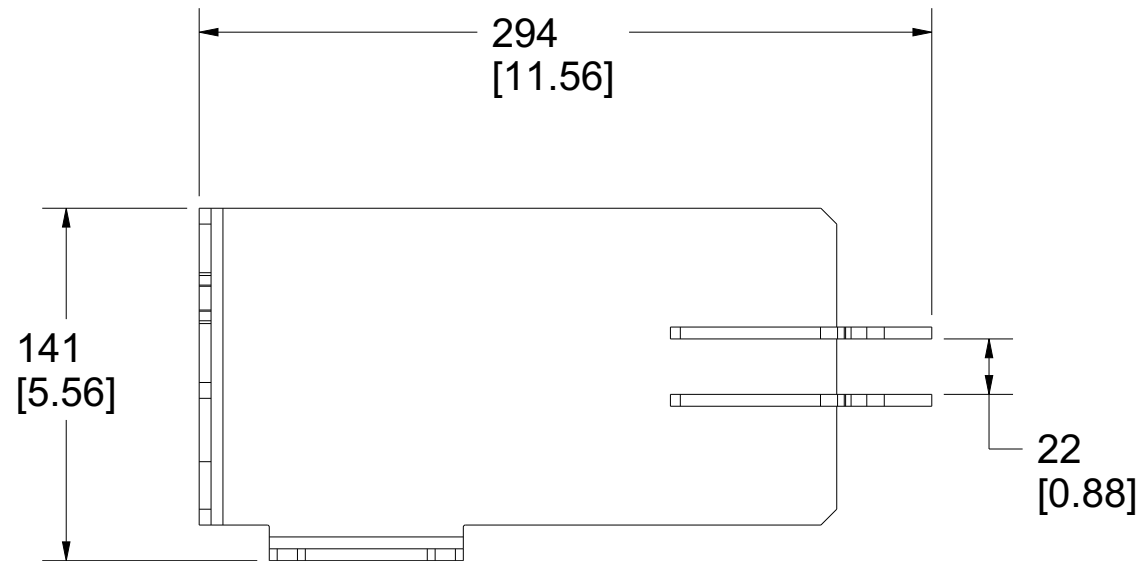



Product number: IN-2539

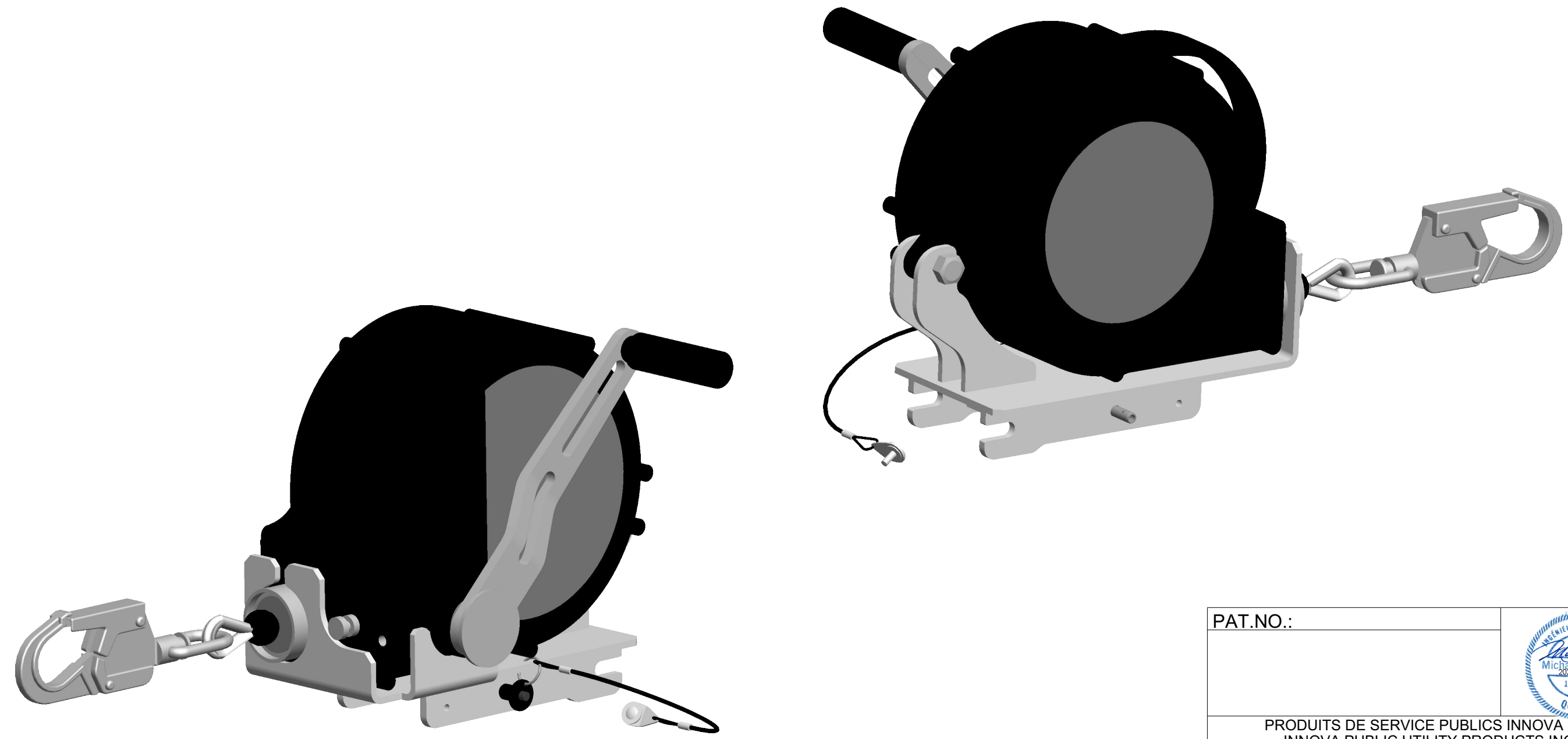



		WINCH ADAPTER		
MANUFACTURER	No.	No.XTIRPA		
PROTEKT	CRW200	N/A		
PAT.NO.:				
PRODUITS DE SERVICE PUBLICS INNOVA INC. INNOVA PUBLIC UTILITY PRODUCTS INC.				
<small>© 9105-0732 QUEBEC INC. and under exclusive license to INNOVA PUBLIC UTILITY PRODUCTS INC., (hereafter « INNOVA »). All rights reserved. Protected under the Copyright Act of Canada and international treaties and agreements regarding copyrights. Violators are subject to prosecution and other legal recourses for infringement. Any reproduction, adaptation or other use or disclosure whatsoever, in totality or in part, and in any form or by any means whatsoever, strictly forbidden and requires the prior written approval of INNOVA. All data is the exclusive property of 9105-0732 QUEBEC INC. and under exclusive license to INNOVA and cannot be used nor disclosed in any way either without the prior written approval of INNOVA».</small>				
POIDS:	TITLE:			
9.0 lb	WINCH ADAPTER			
4.1 kg				
COLOR:	Material:	SHEET(S):	PROJET:	Rev.
ZINC PLATED	STEEL	1 / 4	IN-2539	01

Product number: IN-2539

H
G
F
E
D
C
B
A

H
G
F
E
D
C
B
A



PAT.NO.:				
PRODUITS DE SERVICE PUBLICS INNOVA INC. INNOVA PUBLIC UTILITY PRODUCTS INC.				
© 9105-0732 QUEBEC INC. and under exclusive license to INNOVA PUBLIC UTILITY PRODUCTS INC., (hereafter « INNOVA »). All rights reserved. Protected under the Copyright Act of Canada and international treaties and agreements regarding copyrights. Violators are subject to prosecution and other legal recourses for infringement. Any reproduction, adaptation or other use or disclosure whatsoever, in totality or in part, and in any form or by any means whatsoever, strictly forbidden and requires the prior written approval of INNOVA. All data is the exclusive property of 9105-0732 QUEBEC INC. and under exclusive license to INNOVA and cannot be used nor disclosed in any way either without the prior written approval of INNOVA®.				
POIDS:	TITLE:			
9.0 lb	WINCH ADAPTER			
4.1 kg				
COLOR:	Material:	SHEET(S):	PROJET:	Rev.
ZINC PLATED	STEEL	2 / 4	IN-2539	01

SPECIFICATIONS

H This equipment is considered as part of a personal fall arrest system (PFAS).
 It is only to be used in conjunction with a personal fall arrest system that limits the maximum arrest force (MAF) to 6,0 kN.

G Working load limit (WLL) : 164 kg (360 lb)
 Minimum breaking strength : 16,0 kN (3 600 lbf)

STANDARDS

Name	Year	Users
ANSI Z359.1	2007	1
CSA Z259.2.1	1998 (R2011)	1
OSHA 1910.66		1

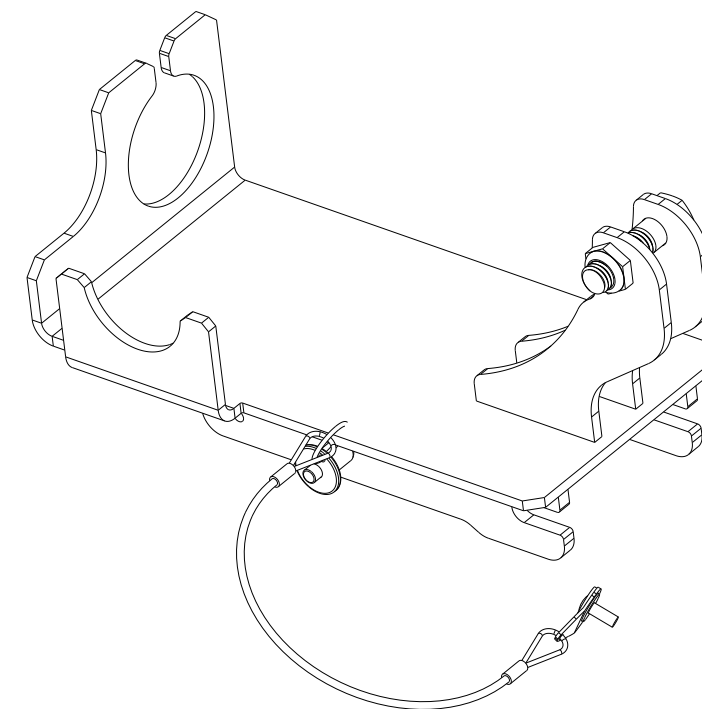
MATERIAL AND CONSTRUCTION

D Structure : Steel 44W
 Hardware : Stainless Steel
 Welding certification : Steel / Stainless Steel : CSA W59.18 / CSA W47.1 and AWS D1.6

RESTRICTIONS

B This equipment is to be used only with products approved by Innova Public Utility Products Inc.
 This equipment must always be operated on a level surface.
 Ensure that all hardwares and connecting pins are properly installed before use.
 A In the occurrence of a fall or that the safety of the equipment is in doubt, the equipment must be immediately removed from service and inspected by qualified personnel before reuse.

Product number: **IN-2539**



PAT.NO.:				
PRODUITS DE SERVICE PUBLICS INNOVA INC. INNOVA PUBLIC UTILITY PRODUCTS INC.				
<small>© 9105-0732 QUEBEC INC. and under exclusive license to INNOVA PUBLIC UTILITY PRODUCTS INC., (hereafter « INNOVA »). All rights reserved. Protected under the Copyright Act of Canada and international treaties and agreements regarding copyrights. Violators are subject to prosecution and other legal recourses for infringement. Any reproduction, adaptation or other use or disclosure whatsoever, in totality or in part, and in any form or by any means whatsoever, strictly forbidden and requires the prior written approval of INNOVA. All data is the exclusive property of 9105-0732 QUEBEC INC. and under exclusive license to INNOVA and cannot be used nor disclosed in any way either without the prior written approval of INNOVA».</small>				
POIDS:	TITLE:			
9.0 lb	WINCH ADAPTER			
4.1 kg				
COLOR:	Material:	SHEET(S):	PROJET:	Rev.
ZINC PLATED	STEEL	3 / 4	IN-2539	01

8

7

6

5

4

3

2

1

Product number: IN-2539

H

G

F

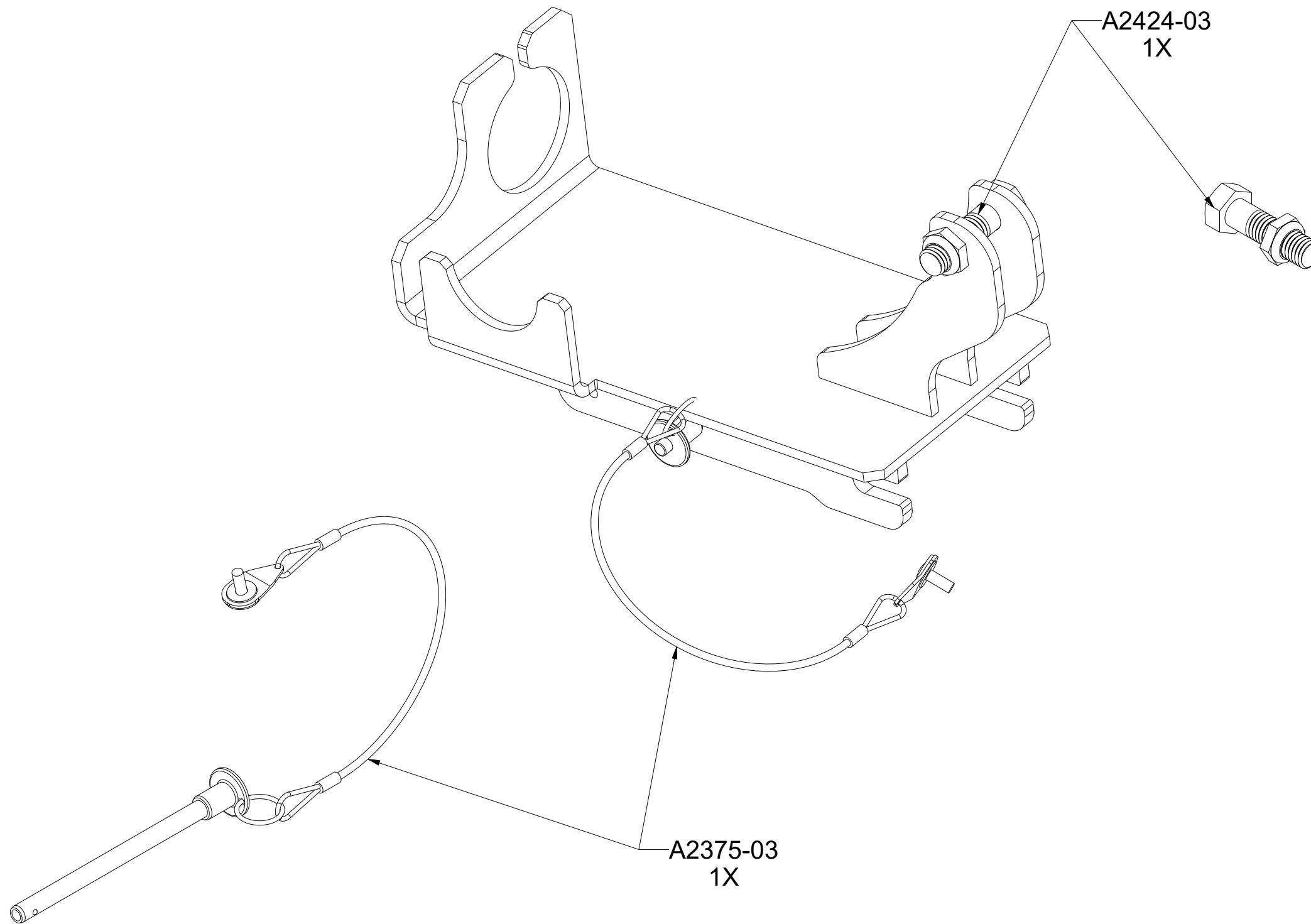
E

D

C

B

A



A2424-03
1X

A2375-03
1X

PAT.NO.:				
PRODUITS DE SERVICE PUBLICS INNOVA INC. INNOVA PUBLIC UTILITY PRODUCTS INC.				
<small>© 9105-0732 QUEBEC INC. and under exclusive license to INNOVA PUBLIC UTILITY PRODUCTS INC., (hereafter « INNOVA »). All rights reserved. Protected under the Copyright Act of Canada and international treaties and agreements regarding copyrights. Violators are subject to prosecution and other legal recourses for infringement. Any reproduction, adaptation or other use or disclosure whatsoever, in totality or in part, and in any form or by any means whatsoever, strictly forbidden and requires the prior written approval of INNOVA. All data is the exclusive property of 9105-0732 QUEBEC INC. and under exclusive license to INNOVA and cannot be used nor disclosed in any way either without the prior written approval of INNOVA».</small>				
POIDS:	TITLE:			
9.0 lb	WINCH ADAPTER			
4.1 kg				
COLOR:	Material:	SHEET(S):	PROJET:	Rev.
ZINC PLATED	STEEL	4 / 4	IN-2539	01

H

G

F

E

D

C

B

A

8

7

6

5

4

3

2

1