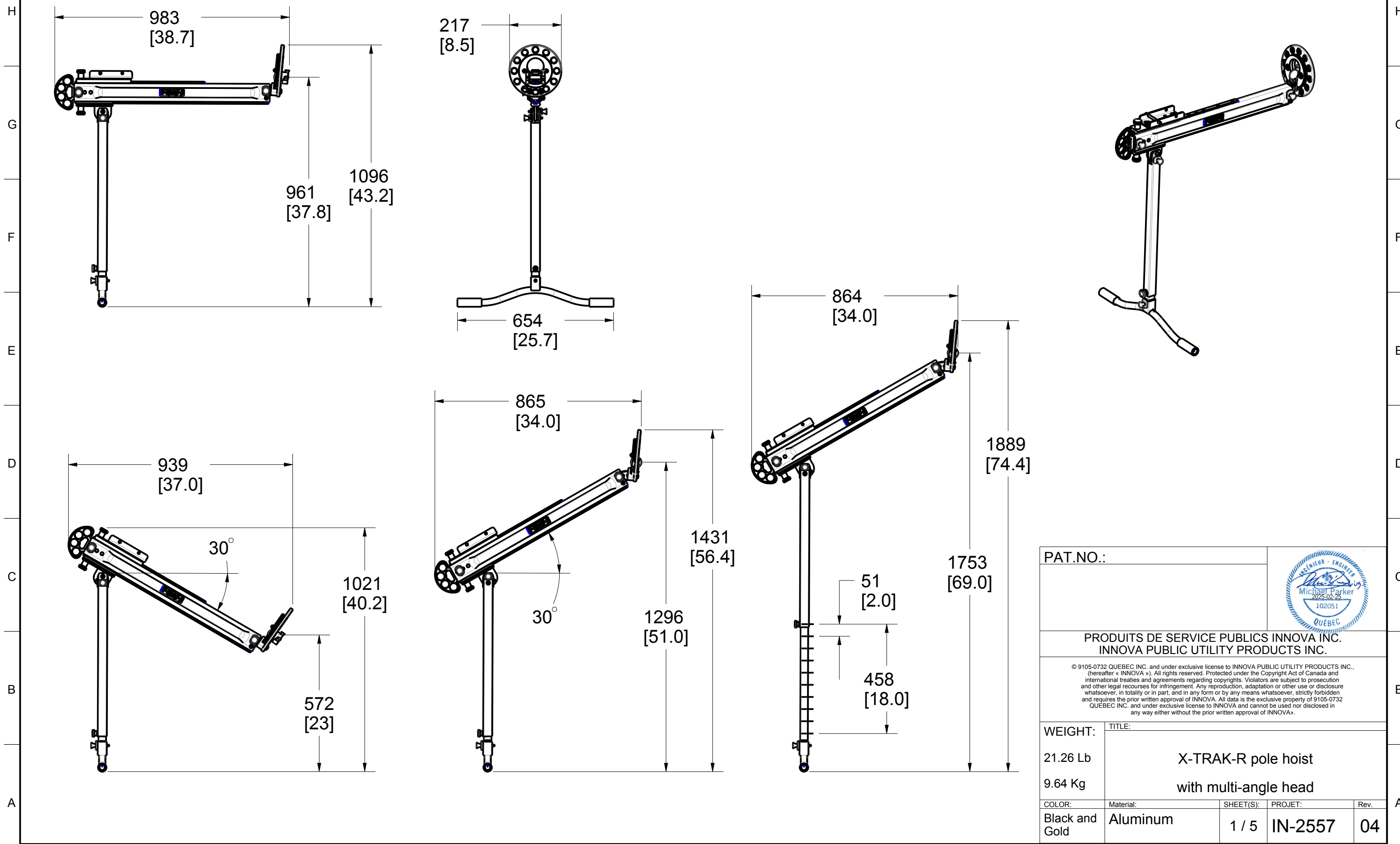

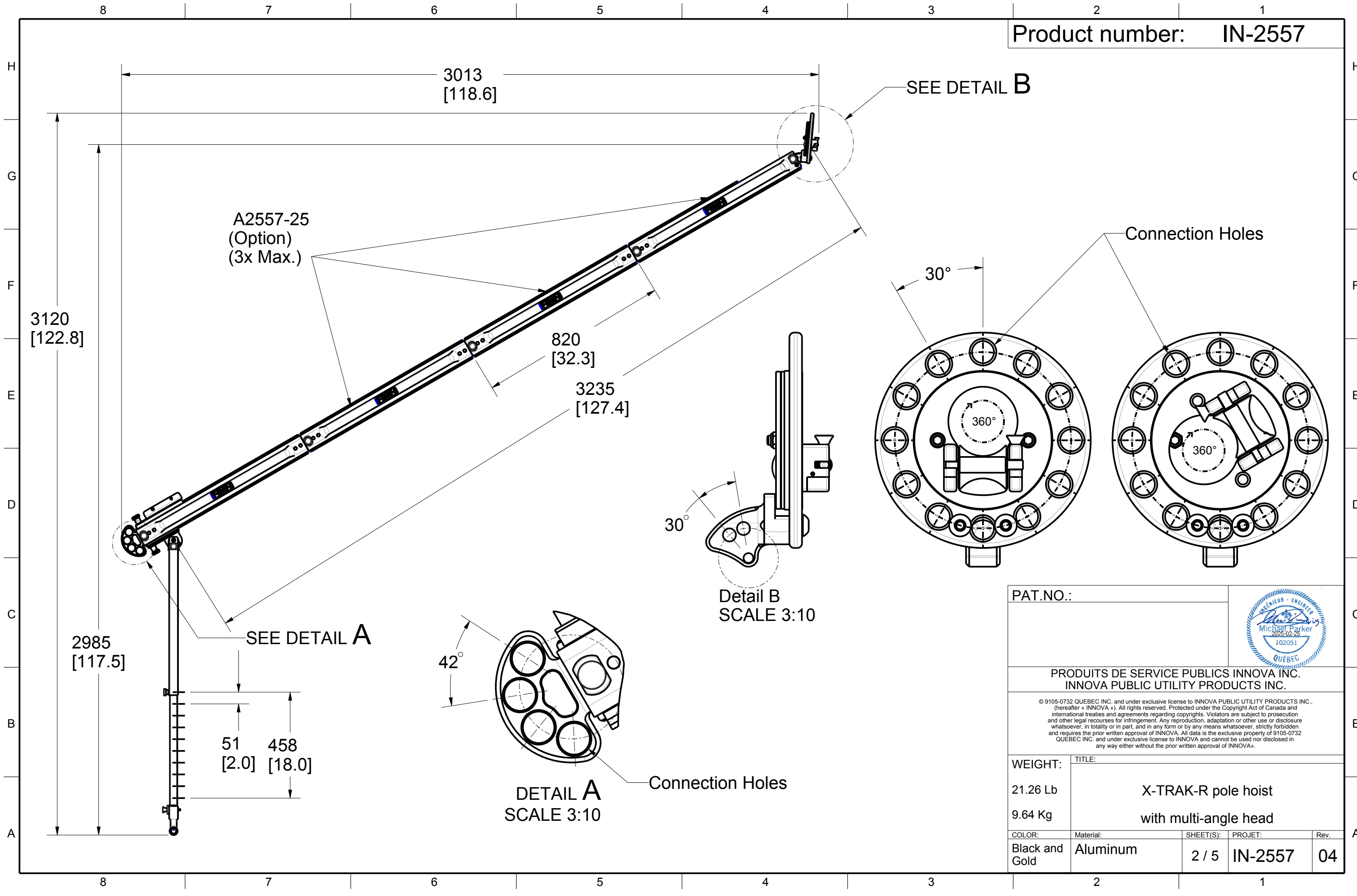



Product number: IN-2557



PAT.NO.:				
<b>PRODUITS DE SERVICE PUBLICS INNOVA INC.</b> <b>INNOVA PUBLIC UTILITY PRODUCTS INC.</b>				
© 9105-0732 QUEBEC INC. and under exclusive license to INNOVA PUBLIC UTILITY PRODUCTS INC., (hereafter « INNOVA »). All rights reserved. Protected under the Copyright Act of Canada and international treaties and agreements regarding copyrights. Violators are subject to prosecution and other legal recourses for infringement. Any reproduction, adaptation or other use or disclosure whatsoever, in totality or in part, and in any form or by any means whatsoever, strictly forbidden and requires the prior written approval of INNOVA. All data is the exclusive property of 9105-0732 QUEBEC INC. and under exclusive license to INNOVA and cannot be used nor disclosed in any way either without the prior written approval of INNOVA®.				
WEIGHT:	TITLE:			
21.26 Lb	<b>X-TRAK-R pole hoist</b> <b>with multi-angle head</b>			
9.64 Kg				
COLOR:	Material:	SHEET(S):	PROJET:	Rev.
Black and Gold	Aluminum	1 / 5	IN-2557	04



PAT.NO.:				
PRODUITS DE SERVICE PUBLICS INNOVA INC. INNOVA PUBLIC UTILITY PRODUCTS INC.				
<small>© 9105-0732 QUEBEC INC. and under exclusive license to INNOVA PUBLIC UTILITY PRODUCTS INC., (hereafter « INNOVA »). All rights reserved. Protected under the Copyright Act of Canada and international treaties and agreements regarding copyrights. Violators are subject to prosecution and other legal recourses for infringement. Any reproduction, adaptation or other use or disclosure whatsoever, in totality or in part, and in any form or by any means whatsoever, strictly forbidden and requires the prior written approval of INNOVA. All data is the exclusive property of 9105-0732 QUEBEC INC. and under exclusive license to INNOVA and cannot be used nor disclosed in any way either without the prior written approval of INNOVA.</small>				
WEIGHT:	TITLE:			
21.26 Lb	X-TRAK-R pole hoist with multi-angle head			
9.64 Kg				
COLOR:	Material:	SHEET(S):	PROJET:	Rev.
Black and Gold	Aluminum	2 / 5	IN-2557	04

All components of attachment systems and systems redirection must comply with the certifications below.	
Lanyards	EN 354 ANSI Z359.3 CSA Z259.11
Anchor points	EN 795 Type A, B, E ANSI Z359.18 CSA Z259.15
Carabiners	EN 362 ANSI Z359.12 CSA Z259.12
Pulleys	NFPA 1983 / 2500 EN 12278

Example	N / A FS33310 N / A
	IN-2242 IN-2242 / FS810 IN-2242
	C775
	RP063A

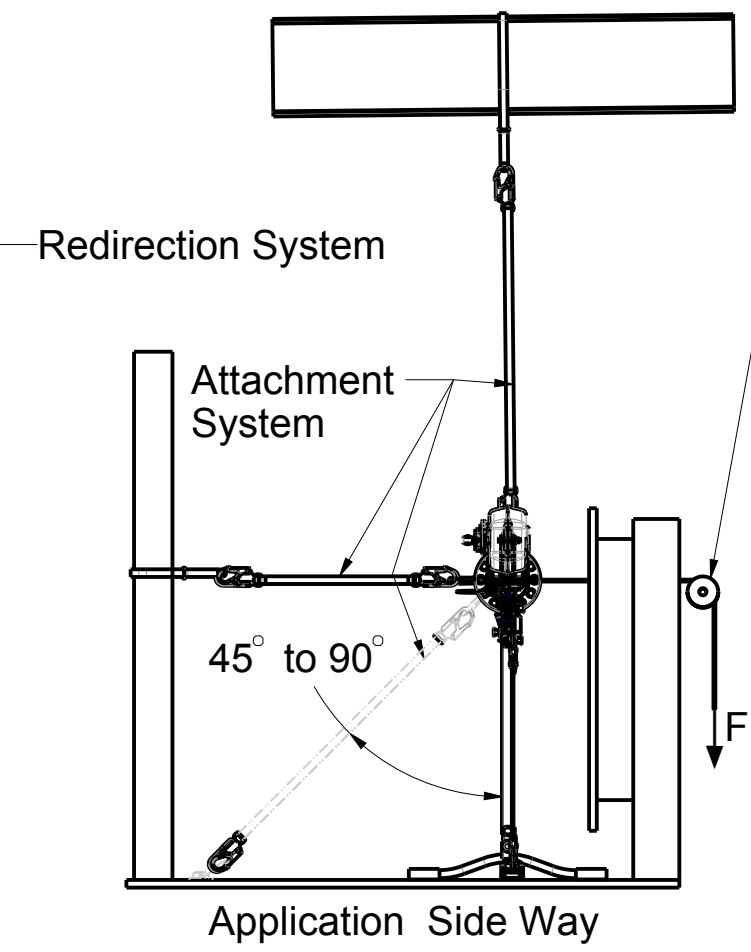
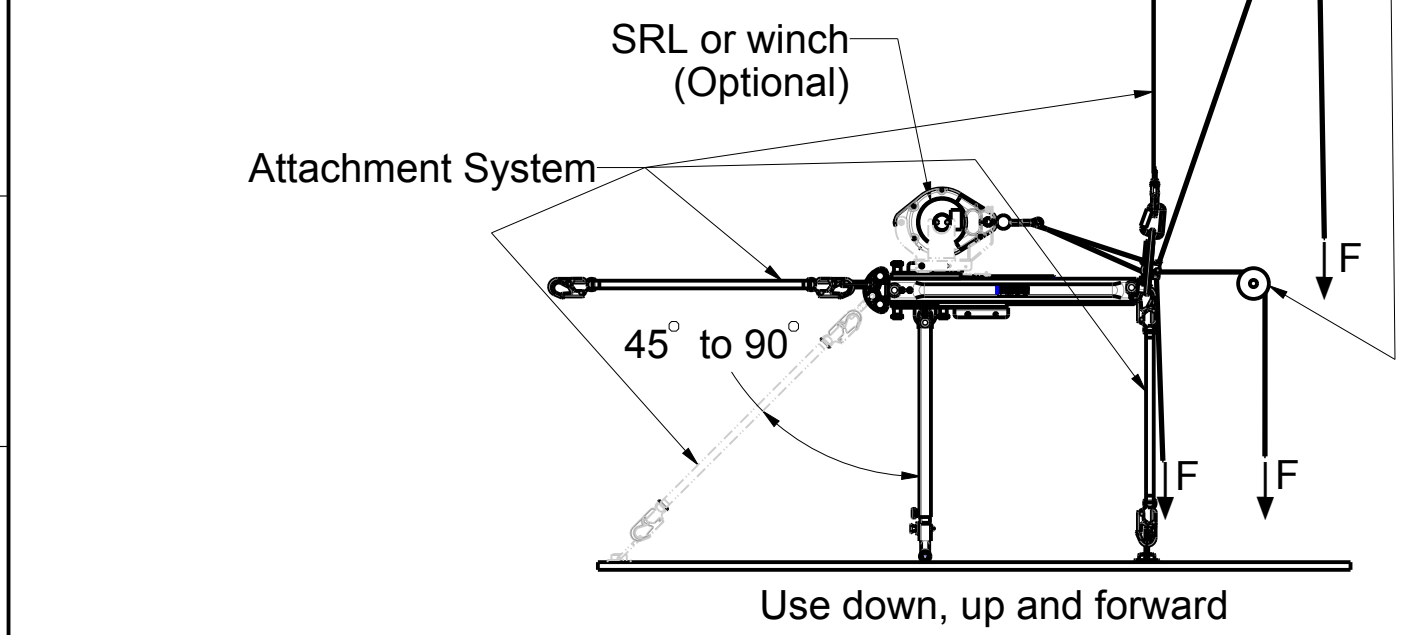
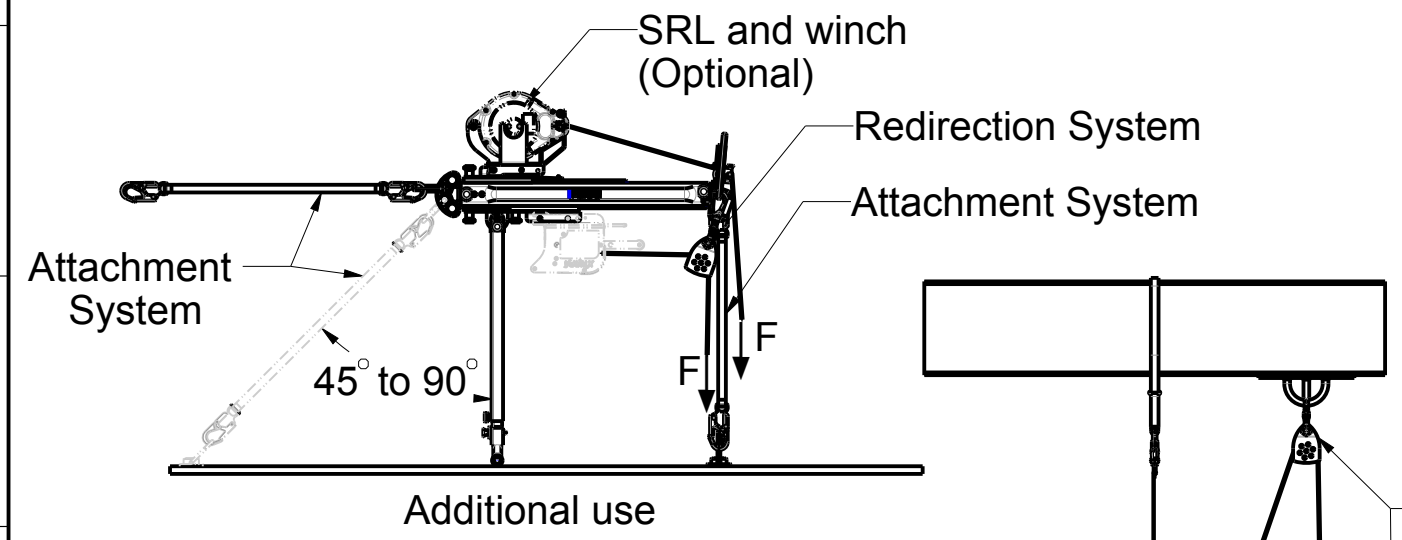
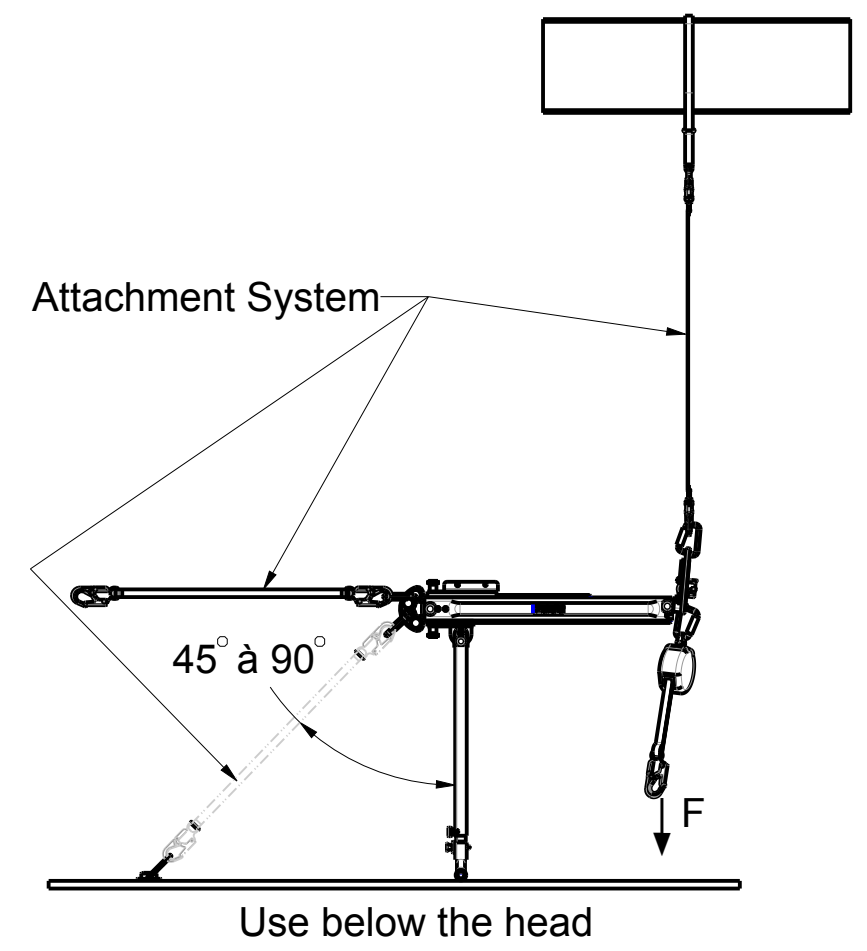
In addition, all components of the systems redirection must meet the requirements below.

Minimum resistance : 45kN


These configurations are applicable with all the positions presented on the first page. The 0 degree / 0 extension model is presented to simplify.

Attachment systems and redirection systems are not included with the IN-2557. However, these are offered as an option if necessary.

Product number: **IN-2557**



Redirection System

PAT.NO.:			
PRODUITS DE SERVICE PUBLICS INNOVA INC. INNOVA PUBLIC UTILITY PRODUCTS INC.			
<small>© 9105-0732 QUEBEC INC. and under exclusive license to INNOVA PUBLIC UTILITY PRODUCTS INC. (hereafter « INNOVA »). All rights reserved. Protected under the Copyright Act of Canada and international treaties and agreements regarding copyrights. Violators are subject to prosecution and other legal recourses for infringement. Any reproduction, adaptation or other use or disclosure whatsoever, in totality or in part, and in any form or by any means whatsoever, strictly forbidden and requires the prior written approval of INNOVA. All data is the exclusive property of 9105-0732 QUEBEC INC. and under exclusive license to INNOVA and cannot be used nor disclosed in any way either without the prior written approval of INNOVA.</small>			
WEIGHT:	TITLE:		
21.26 Lb	X-TRAK-R pole hoist		
9.64 Kg	with multi-angle head		
COLOR:	Material:	SHEET(S):	PROJET:
Black and Gold	Aluminum	3 / 5	IN-2557
			Rev. 04

**SPECIFICATIONS**

This equipment is considered as part of a personal fall arrest system (PFAS).

It is only to be used in conjunction with a personal fall arrest system that limits the maximum arrest force (MAF) to 6.0 kN.

Working load limit (WLL) :	164 Kg (360 lb)
Minimum breaking strength for anchorage 1 (F1, F2 and F3):	22,2 kN (5 000 lbf)
Minimum breaking strength for anchorage 2 (F1):	22,2 kN (5 000 lbf)
Minimum breaking strength for anchorage 3 (F1):	22,2 kN (5 000 lbf)
Minimum breaking strength for attachment point 1:	22,2 kN (5 000 lbf)
Minimum breaking strength for attachment point 2:	22,2 kN (5 000 lbf)

**STANDARDS**

Name	Classification	Year	Users
AS/NZS 5532	Freefall Arrest	2013	1
ANSI Z359.18	D	2017	1
CSA Z259.15	AD	2017	1
EN 795	Type A	2012	1
OSHA 1910.140			1
OSHA 1926.502			1

**MATERIAL AND CONSTRUCTION**

Structure :	Aluminum
Welding procedure :	CSA W59.2 / CSA W47.2 & CSA W59.18 / CSA W47.1 & AWS D1.6
Surface Finishing :	Black and Gold Anodized

**RESTRICTIONS**

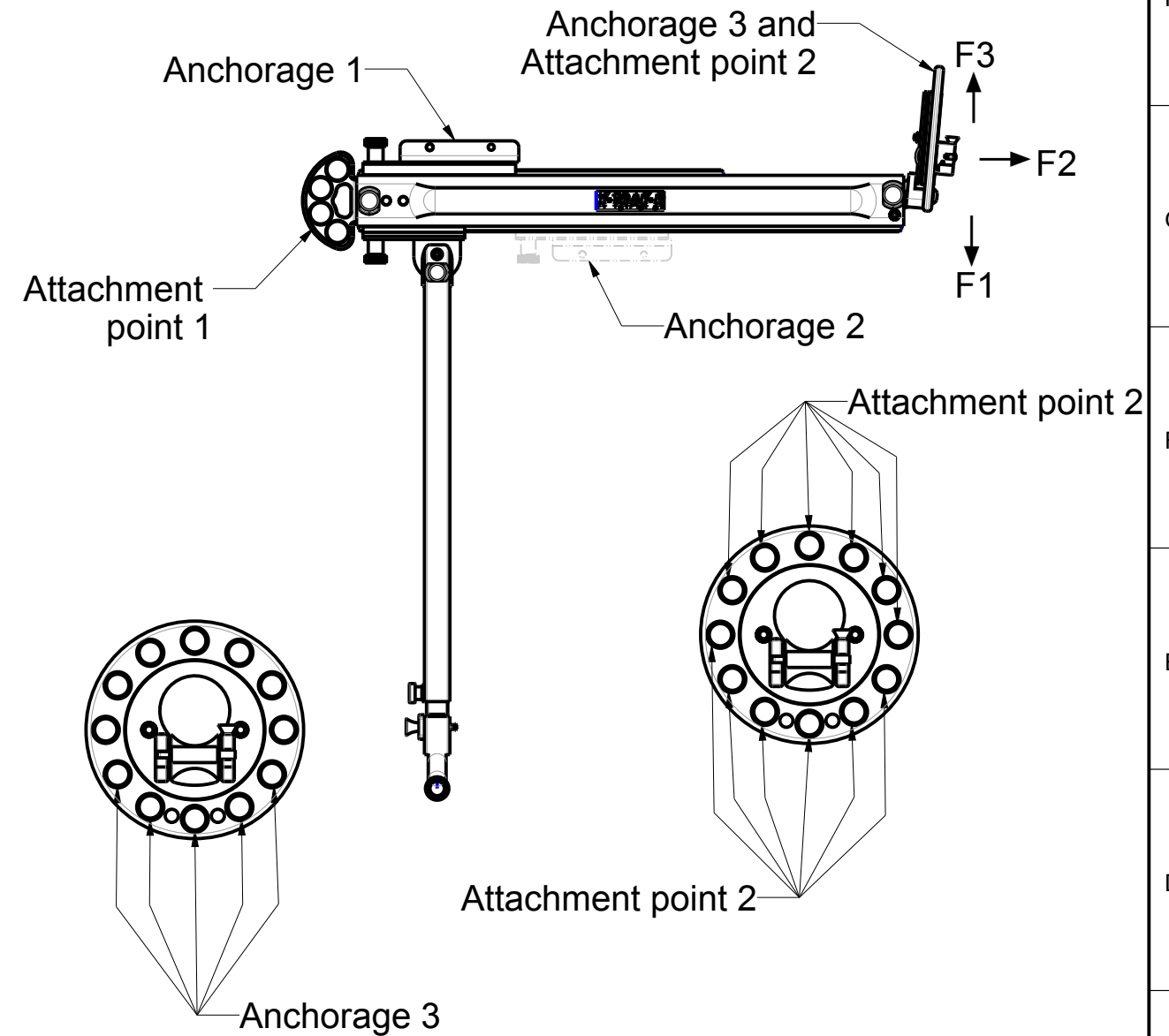
This equipment is to be used only with products approved by Innova Public Utility Products Inc.

This equipment must always be operated on a level surface.

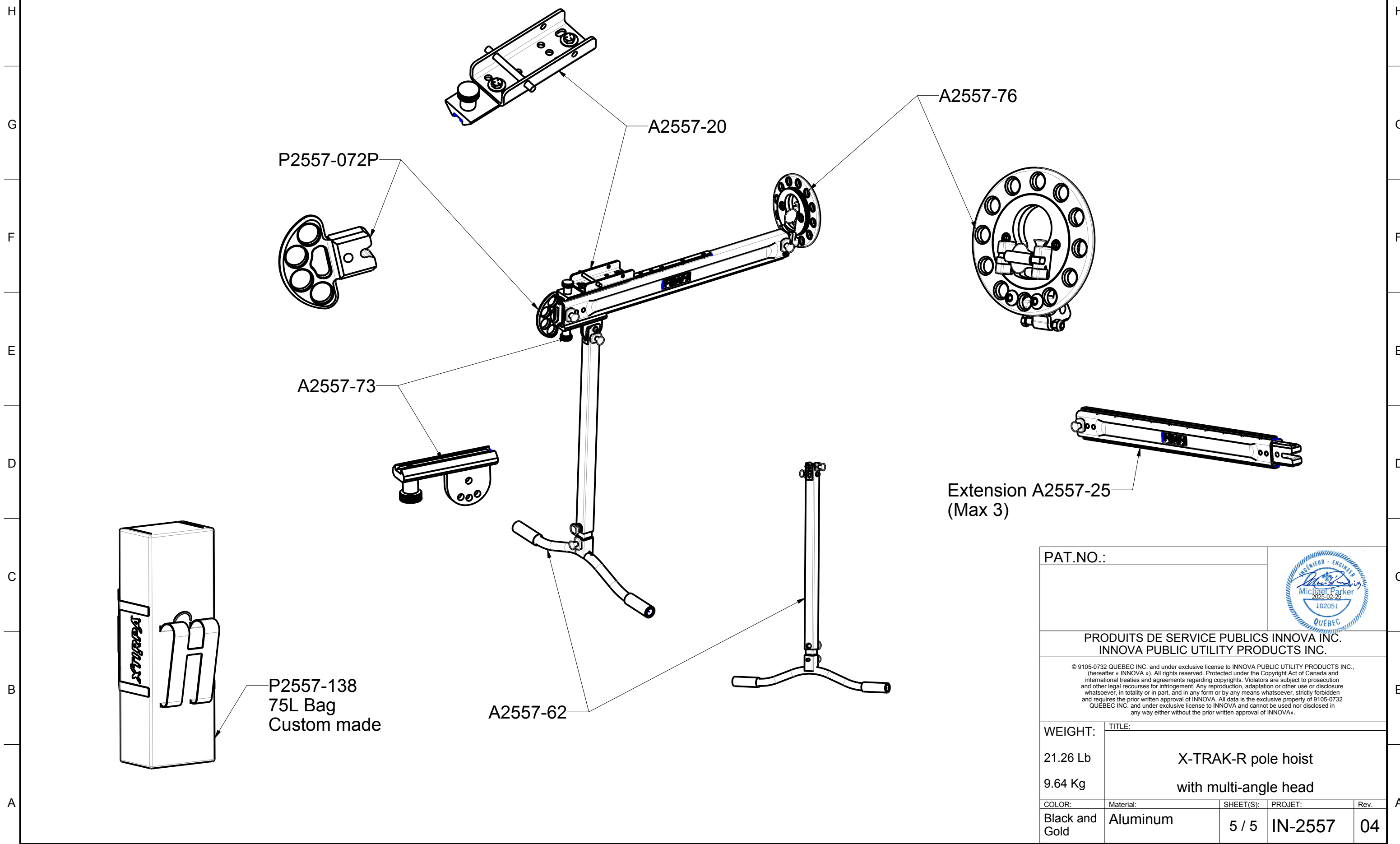
Ensure that all hardware and connecting pins are properly installed before use.


In the occurrence of a fall or the safety of the equipment is in doubt, the equipment must be immediately removed from service and inspected by qualified personnel before reuse.

Product number: **IN-2557**



PAT.NO.:				
PRODUITS DE SERVICE PUBLICS INNOVA INC. INNOVA PUBLIC UTILITY PRODUCTS INC.				
<small>© 9105-0732 QUEBEC INC. and under exclusive license to INNOVA PUBLIC UTILITY PRODUCTS INC., (hereafter « INNOVA »). All rights reserved. Protected under the Copyright Act of Canada and international treaties and agreements regarding copyrights. Violators are subject to prosecution and other legal recourses for infringement. Any reproduction, adaptation or other use or disclosure whatsoever, in totality or in part, and in any form or by any means whatsoever, strictly forbidden and requires the prior written approval of INNOVA. All data is the exclusive property of 9105-0732 QUEBEC INC. and under exclusive license to INNOVA and cannot be used nor disclosed in any way either without the prior written approval of INNOVA.</small>				
WEIGHT:	TITLE:			
21.26 Lb	X-TRAK-R pole hoist with multi-angle head			
9.64 Kg				
COLOR:	Material:	SHEET(S):	PROJET:	Rev.
Black and Gold	Aluminum	4 / 5	IN-2557	04



PAT.NO.:				
<b>PRODUITS DE SERVICE PUBLICS INNOVA INC.</b> <b>INNOVA PUBLIC UTILITY PRODUCTS INC.</b>				
© 9105-0732 QUEBEC INC. and under exclusive license to INNOVA PUBLIC UTILITY PRODUCTS INC., (hereafter « INNOVA »). All rights reserved. Protected under the Copyright Act of Canada and international treaties and agreements regarding copyrights. Violators are subject to prosecution and other legal recourses for infringement. Any reproduction, adaptation or other use or disclosure whatsoever, in totality or in part, and in any form or by any means whatsoever, strictly forbidden and requires the prior written approval of INNOVA. All data is the exclusive property of 9105-0732 QUEBEC INC. and under exclusive license to INNOVA and cannot be used nor disclosed in any way either without the prior written approval of INNOVA®.				
WEIGHT:	TITLE:			
21.26 Lb	<b>X-TRAK-R pole hoist</b> <b>with multi-angle head</b>			
9.64 Kg				
COLOR:	Material:	SHEET(S):	PROJET:	Rev.
Black and Gold	Aluminum	5 / 5	IN-2557	04