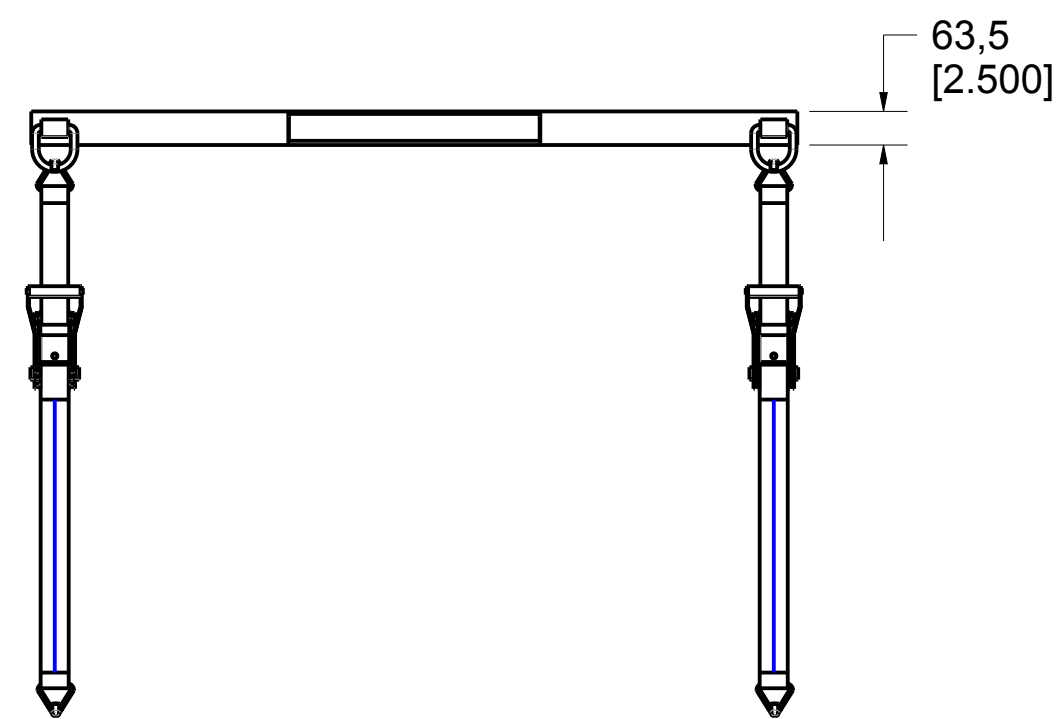
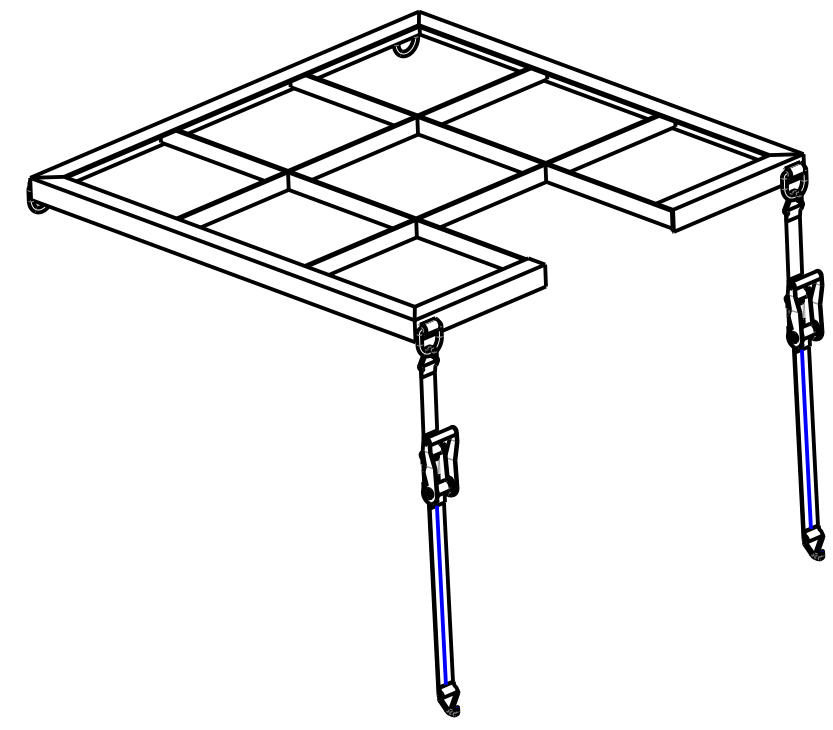
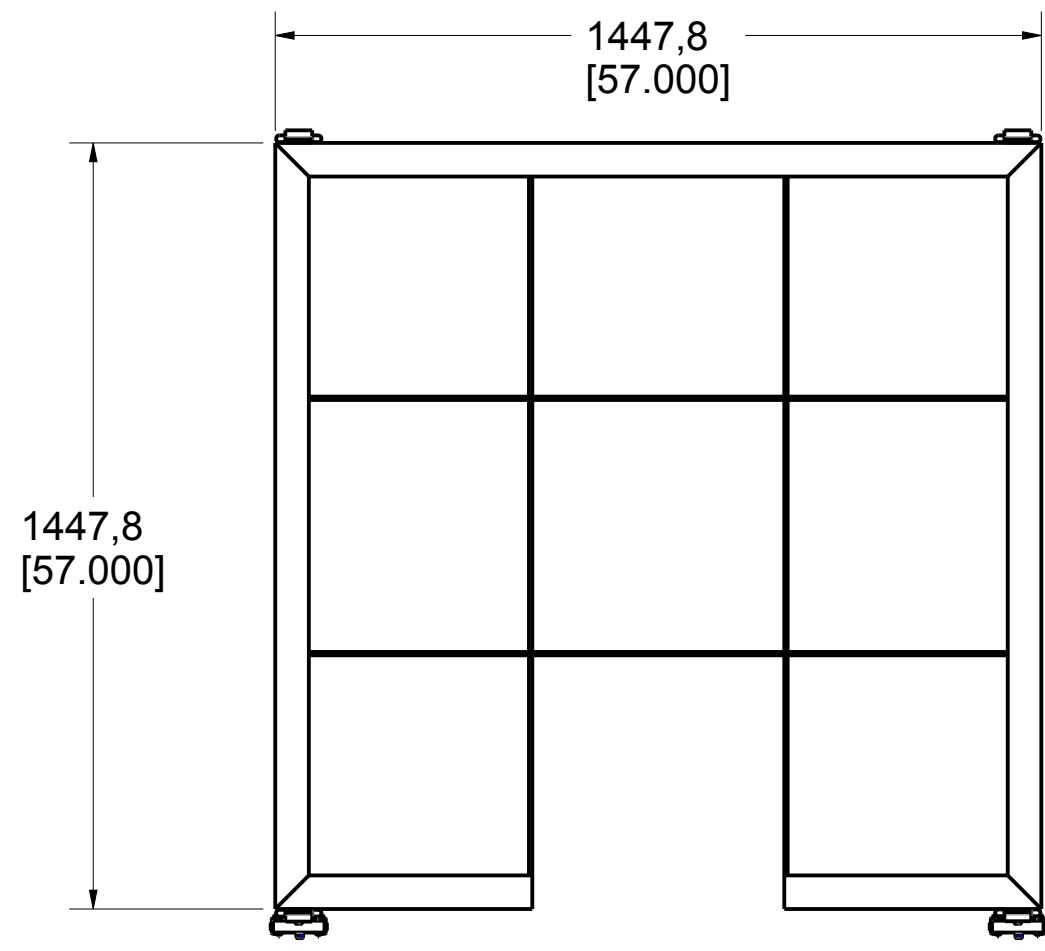



Product number: **A5039-46**



Ratchet tie down 2"x 27' ;
J Hook ;10 000lbs (4536 Kg)

PAT.NO.:


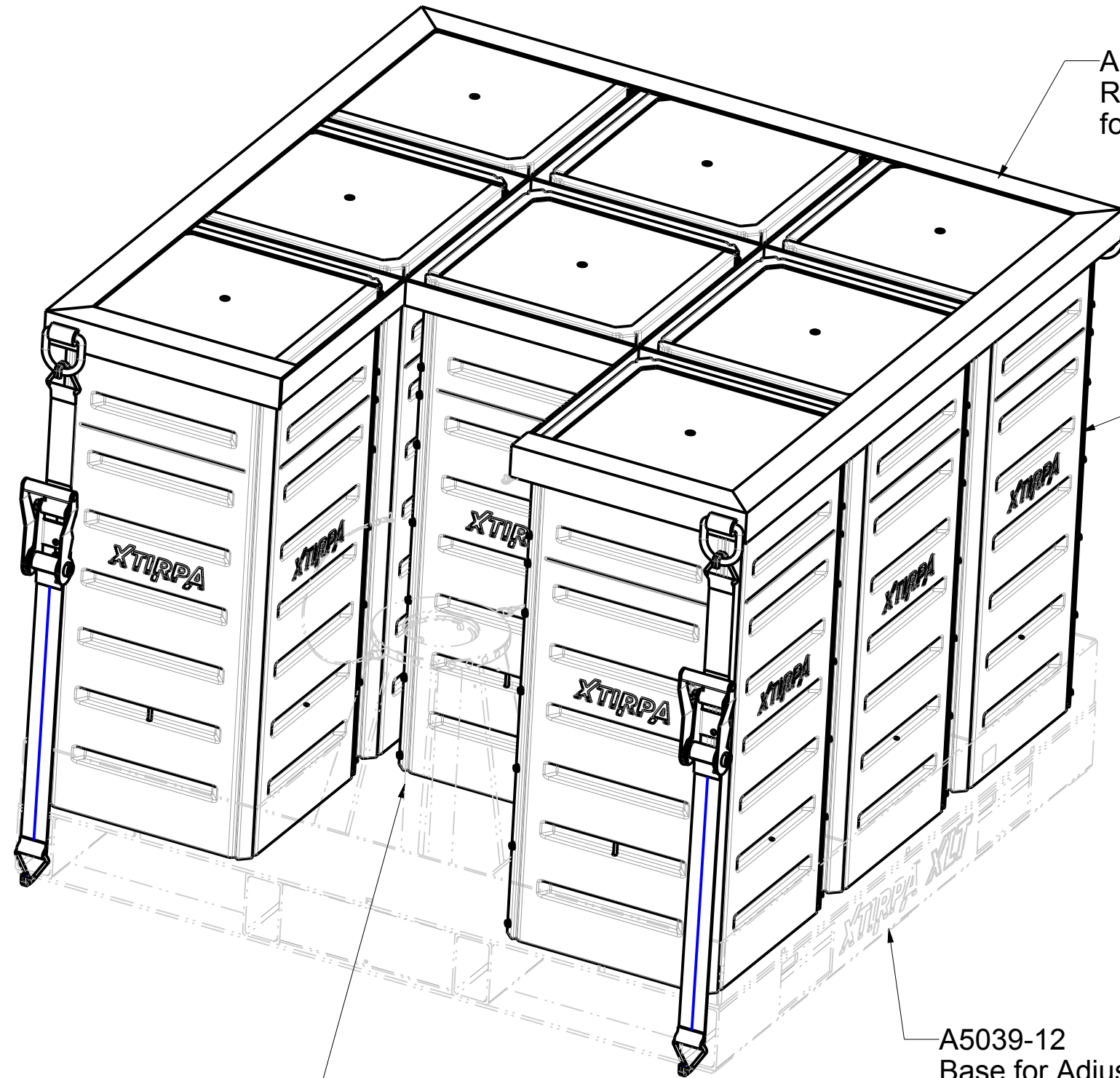
PRODUITS DE SERVICE PUBLICS INNOVA INC.
INNOVA PUBLIC UTILITY PRODUCTS INC.

© 9105-0732 QUEBEC INC. and under exclusive license to INNOVA PUBLIC UTILITY PRODUCTS INC., (hereafter « INNOVA »). All rights reserved. Protected under the Copyright Act of Canada and international treaties and agreements regarding copyrights. Violators are subject to prosecution and other legal recourses for infringement. Any reproduction, adaptation or other use or disclosure whatsoever, in totality or in part, and in any form or by any means whatsoever, strictly forbidden and requires the prior written approval of INNOVA. All data is the exclusive property of 9105-0732 QUEBEC INC. and under exclusive license to INNOVA and cannot be used nor disclosed in any way either without the prior written approval of INNOVA».

WEIGHT:	TITLE:			
90 Lb	Structure for transport concrete block			
41 Kg				

COLOR:	Material:	SHEET(S):	PROJET:	Rev.
Safety yellow	Steel	1 / 2	A5039-46	01

Product number: **A5039-46**

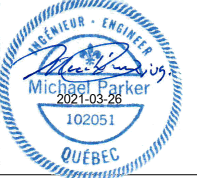


A5039-46
Retention Grid
for concrete block (ACC's)

A5039-59
(8x)
39-1/2" (1003 mm)
mold for concrete with concrete poured

A5039-12
Base for Adjustable Davit Arm

IN-5040
Floor adapter
Stainless Steel
for XLT systeme

PAT.NO.:				
PRODUITS DE SERVICE PUBLICS INNOVA INC. INNOVA PUBLIC UTILITY PRODUCTS INC.				
<small>© 9105-0732 QUEBEC INC. and under exclusive license to INNOVA PUBLIC UTILITY PRODUCTS INC., (hereafter « INNOVA »). All rights reserved. Protected under the Copyright Act of Canada and international treaties and agreements regarding copyrights. Violators are subject to prosecution and other legal recourses for infringement. Any reproduction, adaptation or other use or disclosure whatsoever, in totality or in part, and in any form or by any means whatsoever, strictly forbidden and requires the prior written approval of INNOVA. All data is the exclusive property of 9105-0732 QUEBEC INC. and under exclusive license to INNOVA and cannot be used nor disclosed in any way either without the prior written approval of INNOVA».</small>				
WEIGHT:	TITLE:			
90 Lb 41 Kg	Structure for transport concrete block			
COLOR:	Material:	SHEET(S):	PROJET:	Rev.
Safety yellow	Steel	2 / 2	A5039-46	01